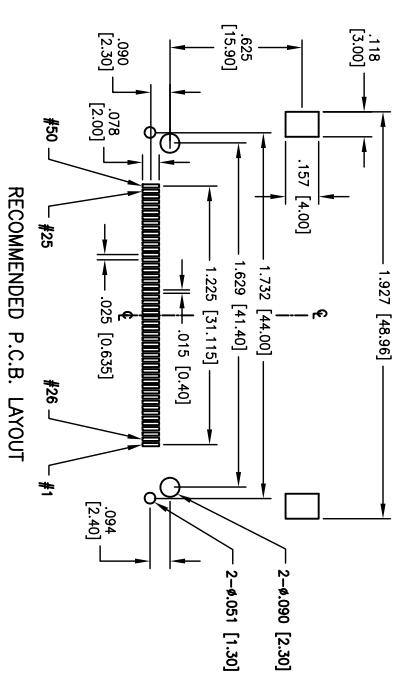
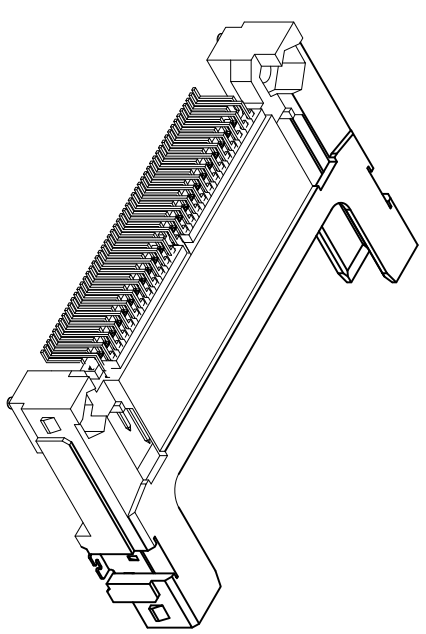
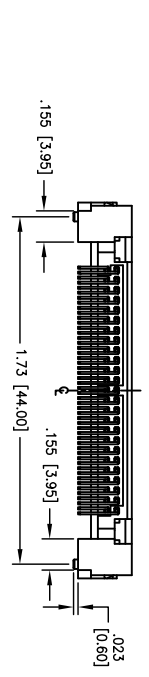
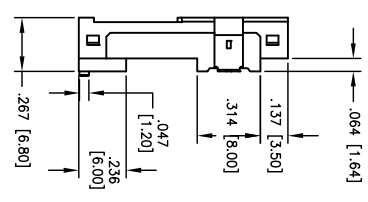
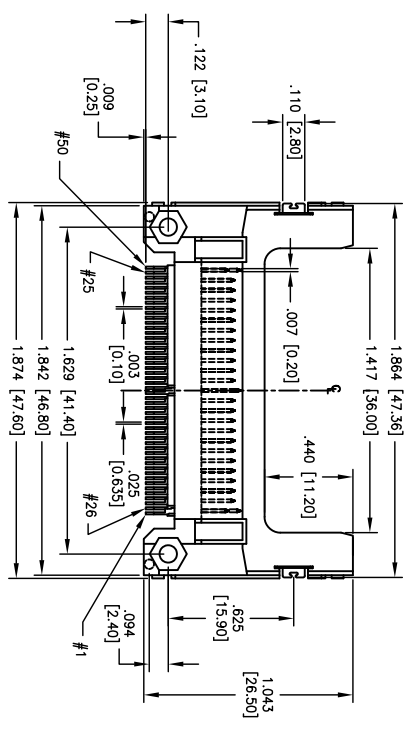
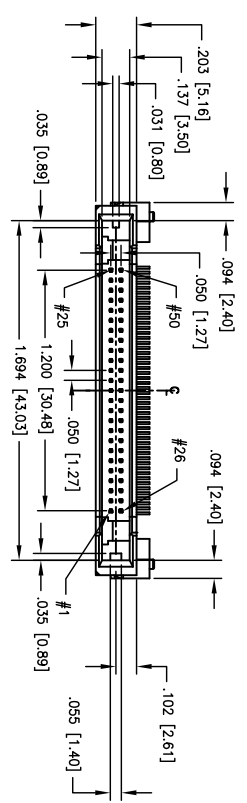


APPROVED: \_\_\_\_\_  
 DATE: \_\_\_\_\_ TITLE: \_\_\_\_\_

Rev	AWO #	Description	Date	Appr
-		RELEASED	2/17/10	
A		REVISED SHAPE	3/10/10	



POWER	5.00mm	1, 13, 38, 50
GENERAL	4.25mm	all other pins
DETECT	3.50mm	25, 26
Pin type	Interface Dim. L	Pin No.

**SPECIFICATIONS:**  
 Material: LCP, glass reinforced, rated UL 94V-0  
 Insulator color: Beige  
 Contacts: Brass  
 Plating: 15u" Gold over Nickel underplate on contact area, Tin over Copper underplate on SMT tails  
 Electrical:  
 Operating voltage: 100 VAC max  
 Current rating: 0.5 Amps max  
 Contact resistance: 40 mohms  
 Insulation resistance: 1000 Mohms min  
 Dielectric withstanding voltage: 500 VAC for 1 minute  
 Mechanical:  
 Life Cycles: 10K mating cycles min.  
 Mating Force: 28.8N max.  
 Unmating Force: 4.9N Min. / 24.5N Max.  
 Temperature Rating:  
 Operating temperature: -20°C to +90°C  
 Environmental:  
 Lead free, RoHS compliant.  
 Recommended soldering temp: 260°C for 5 sec.

UNLESS OTHERWISE SPECIFIED  
 ALL DIMENSIONS ARE IN INCHES [MM]  
 TOLERANCES: EXCEPT AS NOTED  
 INCHES  
 .X ± .10  
 .XX ± .020  
 .XXX ± .015  
 .XXXX ± .010  
 HOLES  
 Ø.X ± .10  
 Ø.XX ± .015  
 Ø.XXX ± .010  
 APPROVALS  
 DRAWN SS 8/24/07  
 CHECKED  
 APPROVED

**ADAM TECH**  
 909 Railway Avenue, Union, NJ 07083  
 Phone: 908-687-5000 Fax: 908-687-5710  
 TITLE: COMPACT FLASH HEADER, TYPE 1, SURFACE MOUNT

SIZE	PART NO.	REV.
X	CF1-50-A-SG-15	A
REF: S00009T	SCALE: NTS	SHEET 1 OF 1