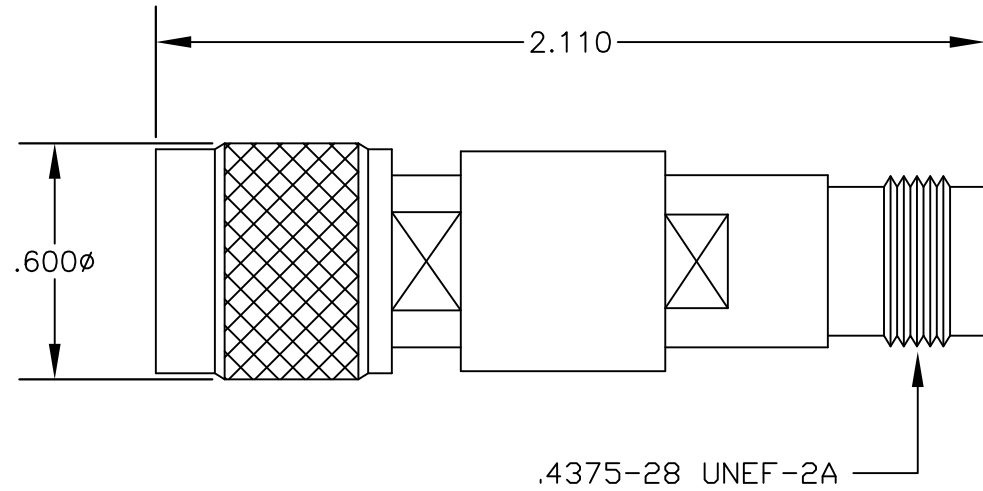


MATERIALS

| | |
|---------------------|-----------------------------------|
| BODY | PASSIVATED STAINLESS STEEL |
| CONTACT | GOLD PLATED |
| INSULATOR | PTFE |
| COUPLING NUT | BRASS NICKEL PLATED |



SPECIFICATIONS

FREQUENCY RANGE: 10 MHz TO 18 GHz
 TYPE OF D.C BLOCK: INNER
 INSERTION LOSS: 1.5 dB
 VSWR: 1.45:1 MAXIMUM
 WORKING VOLTAGE: 950 VOLTS



PASTERNACK ENTERPRISES, INC.
 P.O BOX 16759, IRVINE, CA 92623
 PHONE (949) 261-1920 FAX (949) 261-7451
 WEB ADDRESS: www.pasternack.com
 E-MAIL ADDRESS: sales@pasternack.com
COAXIAL & FIBER OPTICS

| | | | | | |
|----------------------------|----------------|--|-----------|--|-----|
| DWG TITLE PE8252 | | DES. TNC MALE TO TNC FEMALE D.C. BLOCK (INNER) FREQUENCY RANGE: 10 MHz TO 18 GHz | | | |
| SIZE A | FSCM NO. 53919 | CAD FILE 032703 | SCALE N/A | | 127 |

NOTES:
 1. UNLESS OTHERWISE SPECIFIED ALL DIMENSIONS ARE NOMINAL.
 2. ALL SPECIFICATIONS ARE SUBJECT TO CHANGE WITHOUT NOTICE AT ANY TIME.