



SPDT Electromechanical Relay Switch DC to 12.4 GHz, N,
700 Watts, 12V Control with Indicators, Failsafe, Normally Open

TECHNICAL DATA SHEET

PE71S6059

The PE71S6059 is a SINGLE POLE DOUBLE THROW RF COAXIAL RELAY SWITCH that operates from DC TO 12.4 GHz. The Switch has a 12 VDC FAILSAFE ACTUATOR. The Switch has N Female RF CONNECTORS and operates from -40 Deg C to +85 Deg C.

Features

- Single Pole Double Throw Relay Switch
- DC to 12.4 GHz Frequency Range
- 1.0M Operating Life
- 200 Watt Avg Power Min
- -40 to +85 Deg C Operating Temperature
- Insertion Loss 0.5 dB Max
- VSWR 1.5:1 Max

Applications

- High Performance Relay Switch
- Military Communications
- Communications Systems
- Test & Measurement

Electrical Specifications

Frequency Range	DC to 12.4 GHz
Impedance	50 Ohms
Actuator	Indicators, Failsafe, Normally Open
Actuating Current	310 mA
Control Voltage	12 Volts

RF Characteristic

Description	Band 1	Band 2	Band 3	Band 4	Band 5	Units
Frequency Range	DC to 1	1 to 2	2 to 3	3 to 8	8 to 12.4	GHz
VSWR	1.15:1	1.2:1	1.25:1	1.35:1	1.5:1	
Insertion Loss	0.15	0.2	0.25	0.35	0.5	dB
Isolation	85	80	75	70	60	dB
Average Power @25 °C	700	500	400	250	200	Watts

Mechanical Specifications

Connector Type	N Female
Operating Life	1,000,000
Terminals	Solder Pins
Switching Time (nominal voltage, 25°C)	<15 ms Typ
Construction	Splashproof

Environmental Specifications

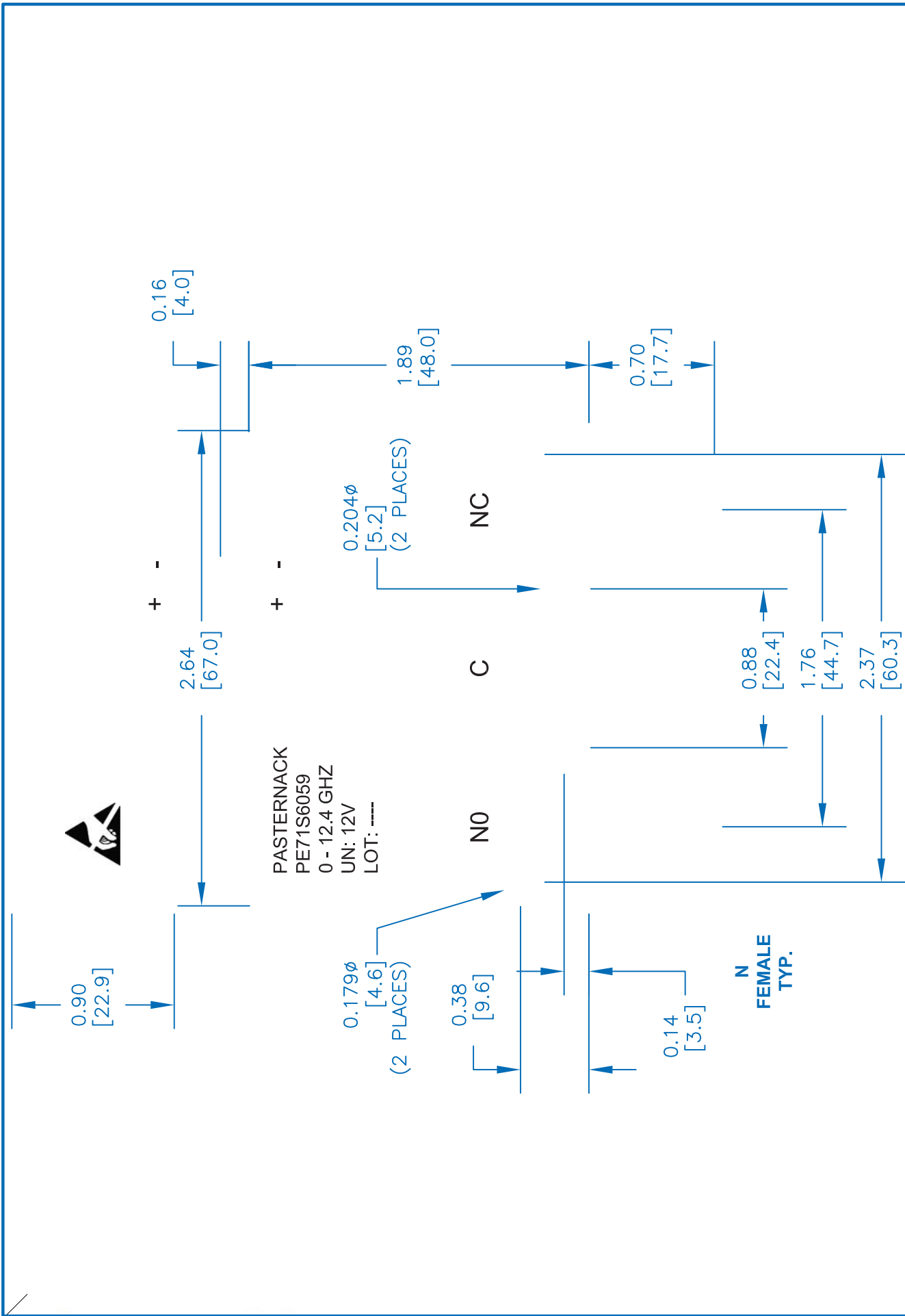
Temperature	
Operating Range	-40 to +85 deg C
Storage Range	-55 to +85 deg C

Click the following link (or enter part number in "SEARCH" on website) to obtain additional part information including price, inventory and certifications: [SPDT Electromechanical Relay Switch DC to 12.4 GHz, N, 700 Watts, 12V Control with Indicators, Failsafe, Normally Open PE71S6059](#)



PE71S6059 CAD Drawing

SPDT Electromechanical Relay Switch DC to 12.4 GHz, N, 700 Watts,
12V Control with Indicators, Failsafe, Normally Open



NOTES:
1. UNLESS OTHERWISE SPECIFIED ALL DIMENSIONS ARE NOMINAL.
2. ALL SPECIFICATIONS ARE SUBJECT TO CHANGE WITHOUT NOTICE AT ANY TIME.
3. DIMENSIONS ARE IN INCHES [mm].

DWG TITLE
PE71S6059

(PE) PASTERNAK®
THE ENGINEER'S RF SOURCE
Pasternack Enterprises, Inc.
P.O. Box 16759 | Irvine | CA | 92623
Phone: (949) 261-1920 | Fax: (949) 261-7451
Website: www.pasternack.com | E-Mail: sales@pasternack.com

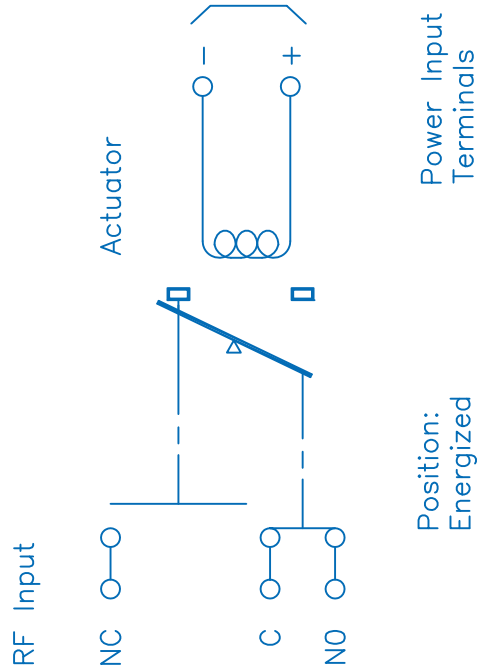
CAD FILE	081314	SCALE	N/A	SIZE	A
FSCM NO.	53919				150

PE71S6059 CAD Drawing

SPDT Electromechanical Relay Switch DC to 12.4 GHz, N, 700 Watts,
12V Control with Indicators, Failsafe, Normally Open



Voltage	RF Continuity
De-energized	C ↔ NC
energized	C ↔ NO



SCHEMATIC DIAGRAM

DWG TITLE

PE71S6059

NOTES:
1. UNLESS OTHERWISE SPECIFIED ALL DIMENSIONS ARE NOMINAL.
2. ALL SPECIFICATIONS ARE SUBJECT TO CHANGE WITHOUT NOTICE AT ANY TIME.
3. DIMENSIONS ARE IN INCHES [mm].

FSCM NO. 53919

150

SIZE A

SCALE N/A

CAD FILE 081314



Pasternack Enterprises, Inc.
P.O. Box 16759 | Irvine | CA | 92623
Phone: (949) 261-1920 | Fax: (949) 261-7451
Website: www.pasternack.com | E-Mail: sales@pasternack.com