

1

2

3

4

5

6

7

A

A

B

B

C

C

D

D

E

E

F

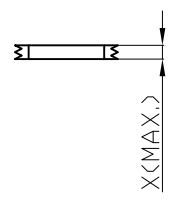
F

G

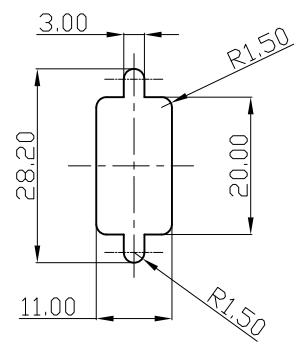
G

H

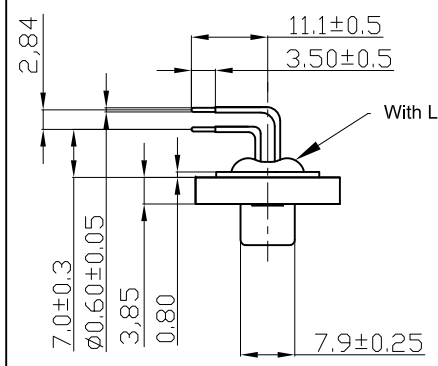
H



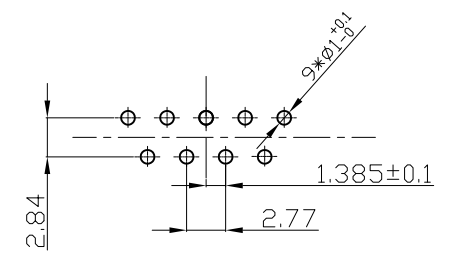
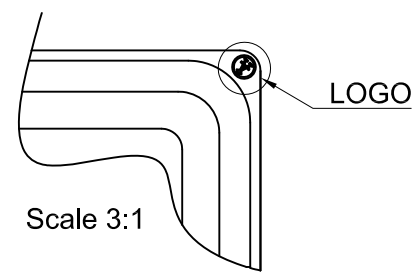
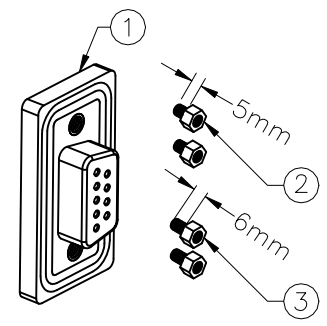
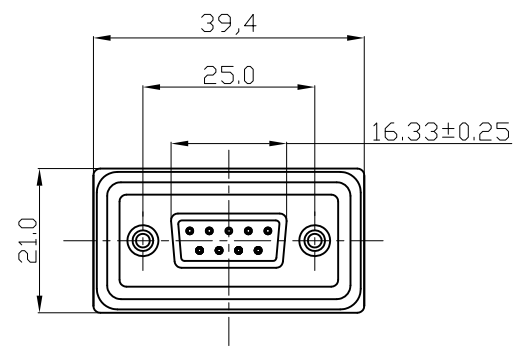
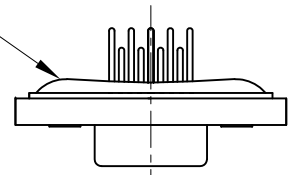
Panel Thickness  
 Screw L=5.0 For Panel Thickness Under 1.2mm  
 Screw L=6.0 For Panel Thickness Between 1.2-2.0mm



Recommended Panel Cut-Out



With Liquid Glue



9 Pin Female Connector  
 PCB Pin Layout  
 Scale 2:1

**NOTES:**

**MATERIAL**

1. Insulator Material: Black, NYLON+G/F
2. Contact Material : Copper Alloy
3. Plating : Gold Plating
4. Waterproof Rate: IP67
5. Do Mating Test After Glued
6. LOGO

**RoHS compliant**

Scale	1:1						Date	Name	Customer-No.
TOLERANCE							Drawn	17.12.2008	JACK
X.X	±0.25						Approved	17.12.2008	Hellwig
X.XX	±0.10								
X.XXX	±0.05								
DIM	TOL								Drawing-No.
ANGLE	±1°								ASSMANN WSW-No. <b>A-DF 09 AA-WP</b>
X.X°	±X°	①	Drawn	17.12.2008	JACK			ASS 3229 CO	
Angle	TOL	Id.	Modification	Date	Name			Replace	Sheet

1

2

3

4

5

6

7