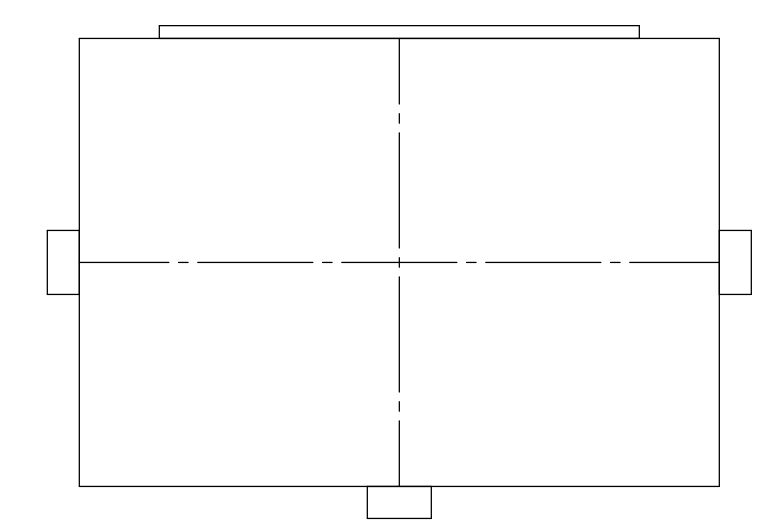
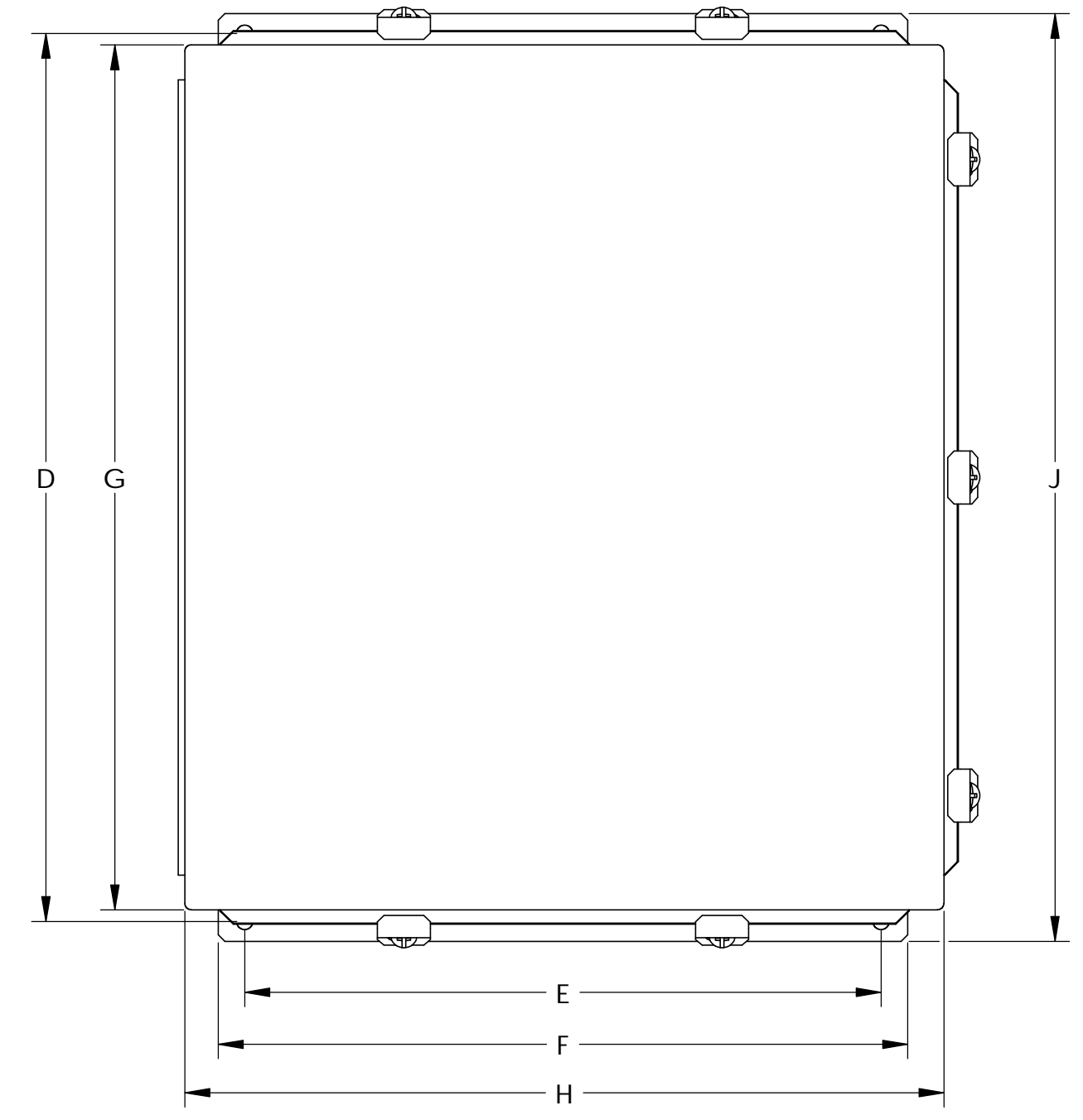
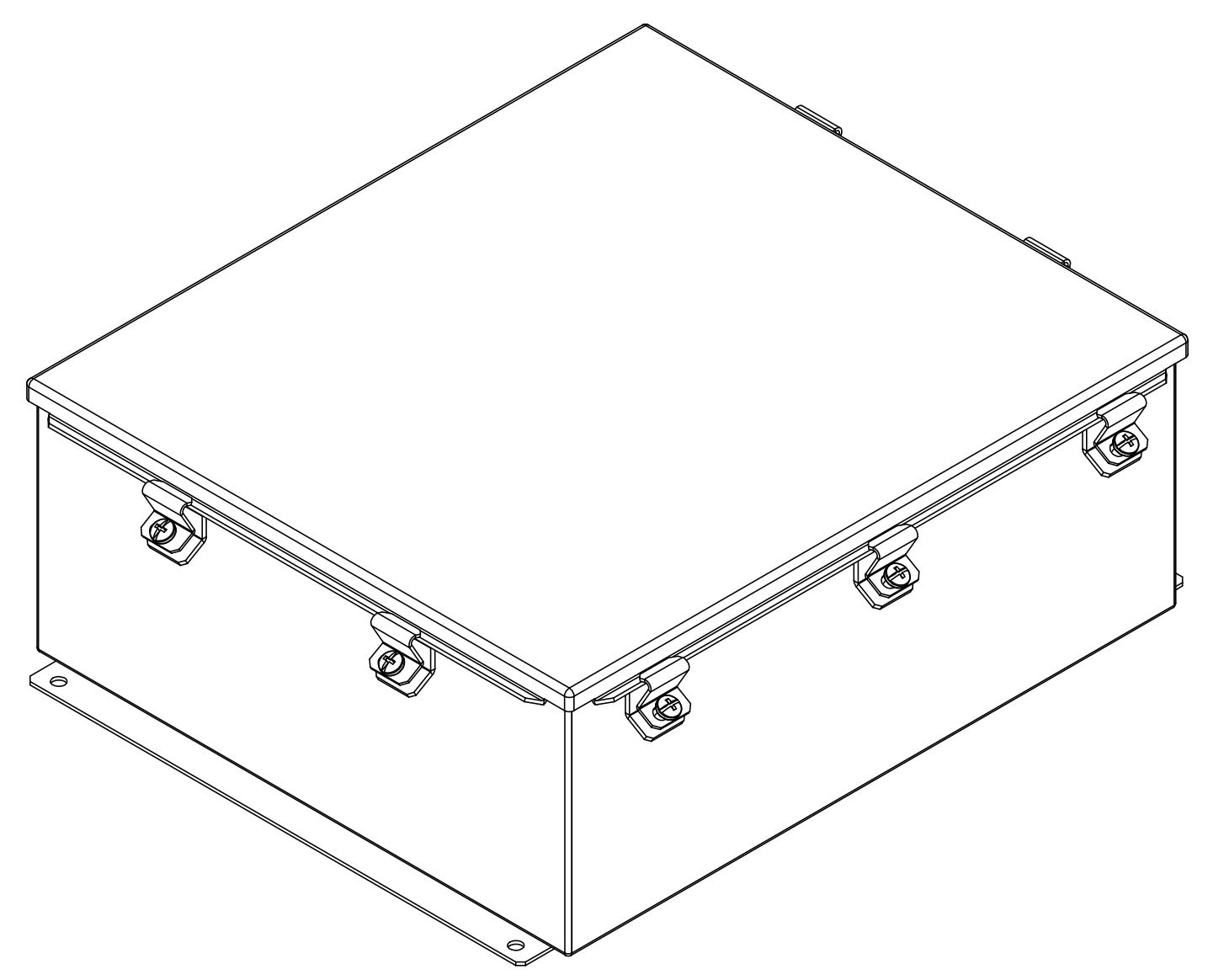
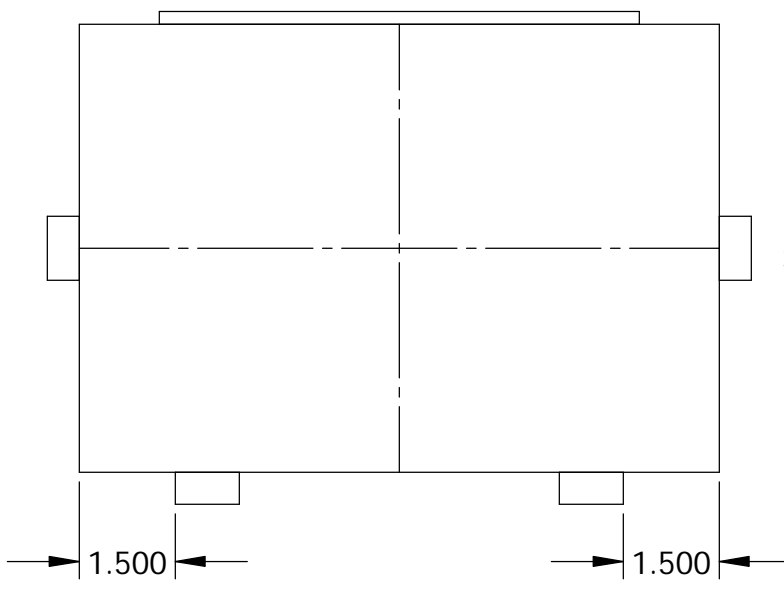


THE INFORMATION CONTAINED IN THIS DRAWING IS THE SOLE PROPERTY OF BUD INDUSTRIES INC. ANY REPRODUCTION IN PART OR WHOLE WITHOUT THE WRITTEN PERMISSION OF BUD INDUSTRIES INC. IS PROHIBITED.

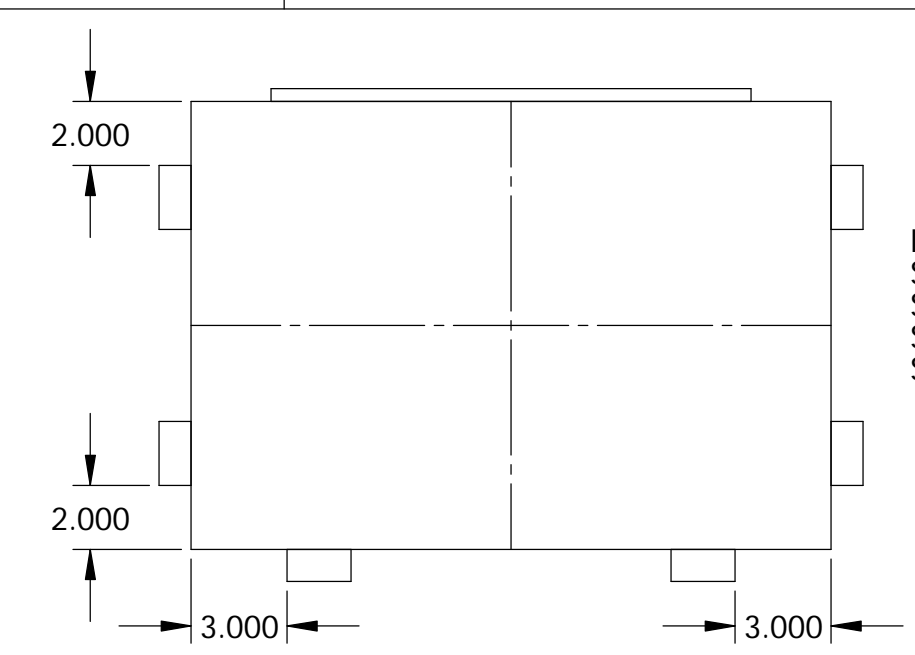
SN-3700	
ISSUE	REVISIONS
(A)	ADDED LATCH DETAILS 3-1-06
(B)	UPDATED COVER ASSY., UPDATED COVER LOCATION 5-4-06 DP
(C)	UPDATED WELD INFO., HINGE AND LATCH LOCATION. ADDED DETAIL B. UPDATED PART NUMBERS 5-16-06 DP
(D)	UPDATED HARDWARE INFO. 6-28-06 DP
(E)	ADDED LABELS 8-3-06 DP



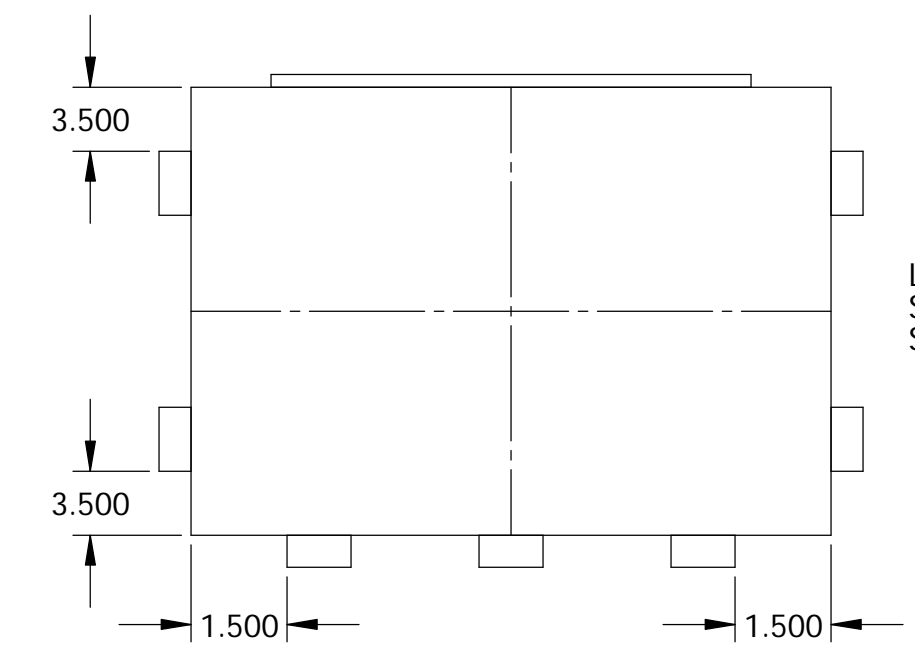
LATCH POSITION FOR  
SN-3700  
SN-3701  
SN-3702



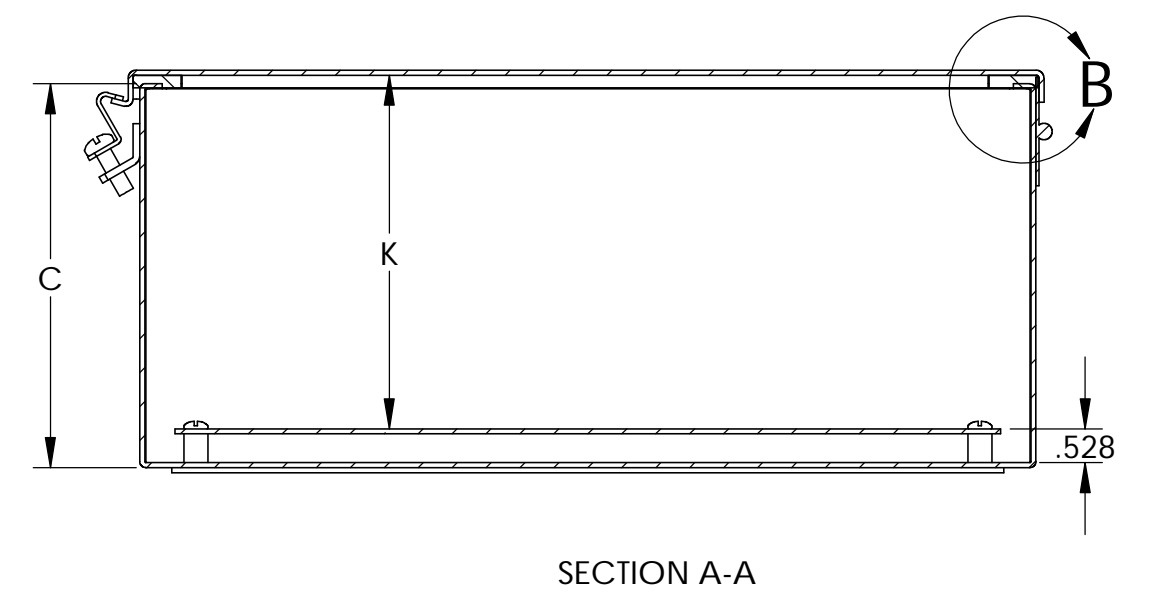
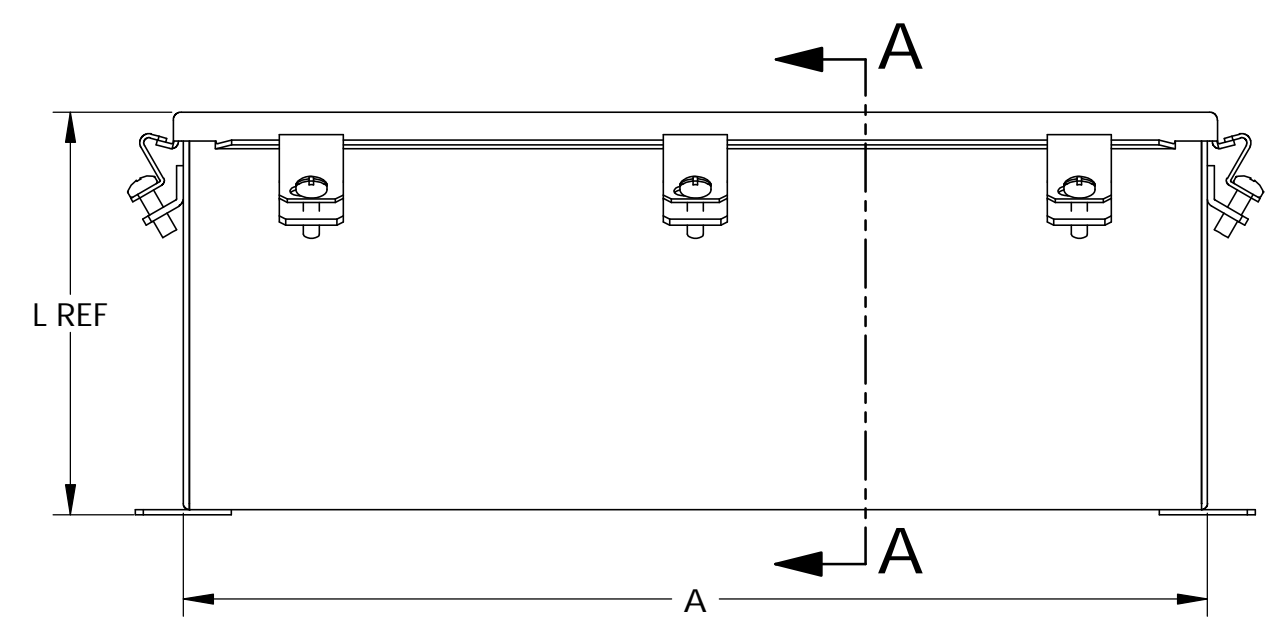
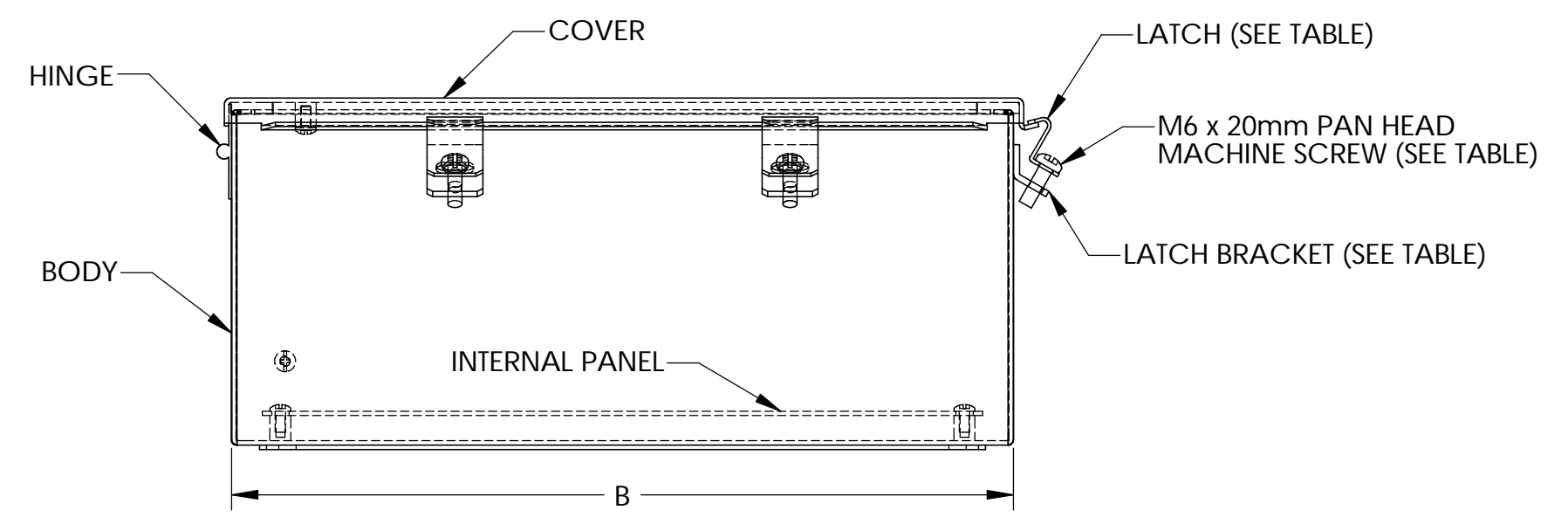
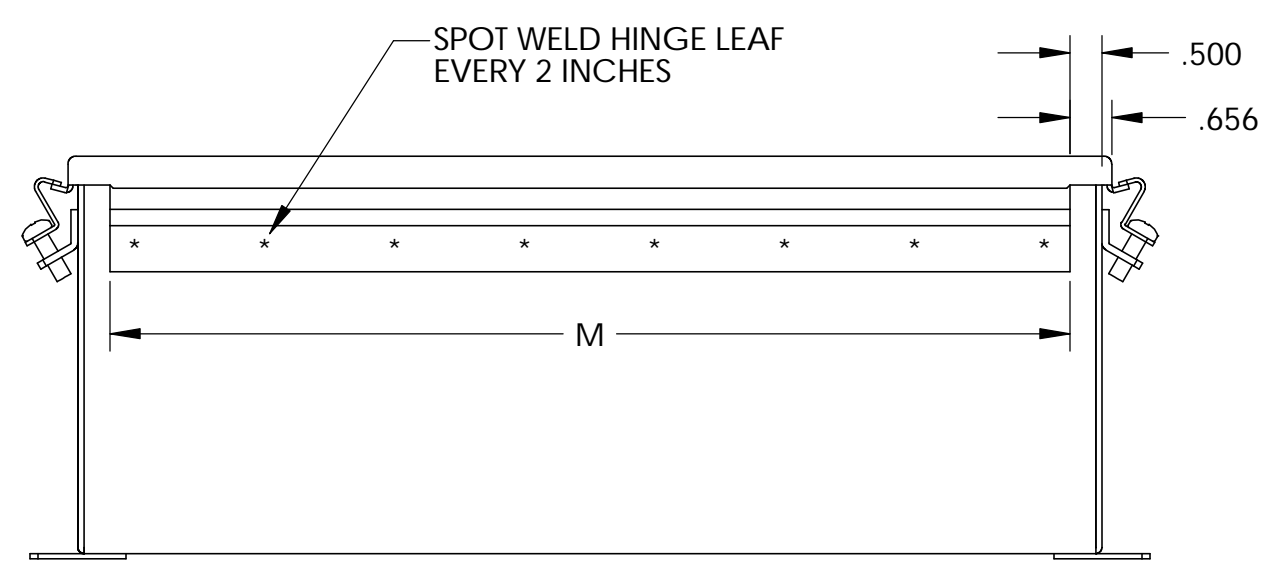
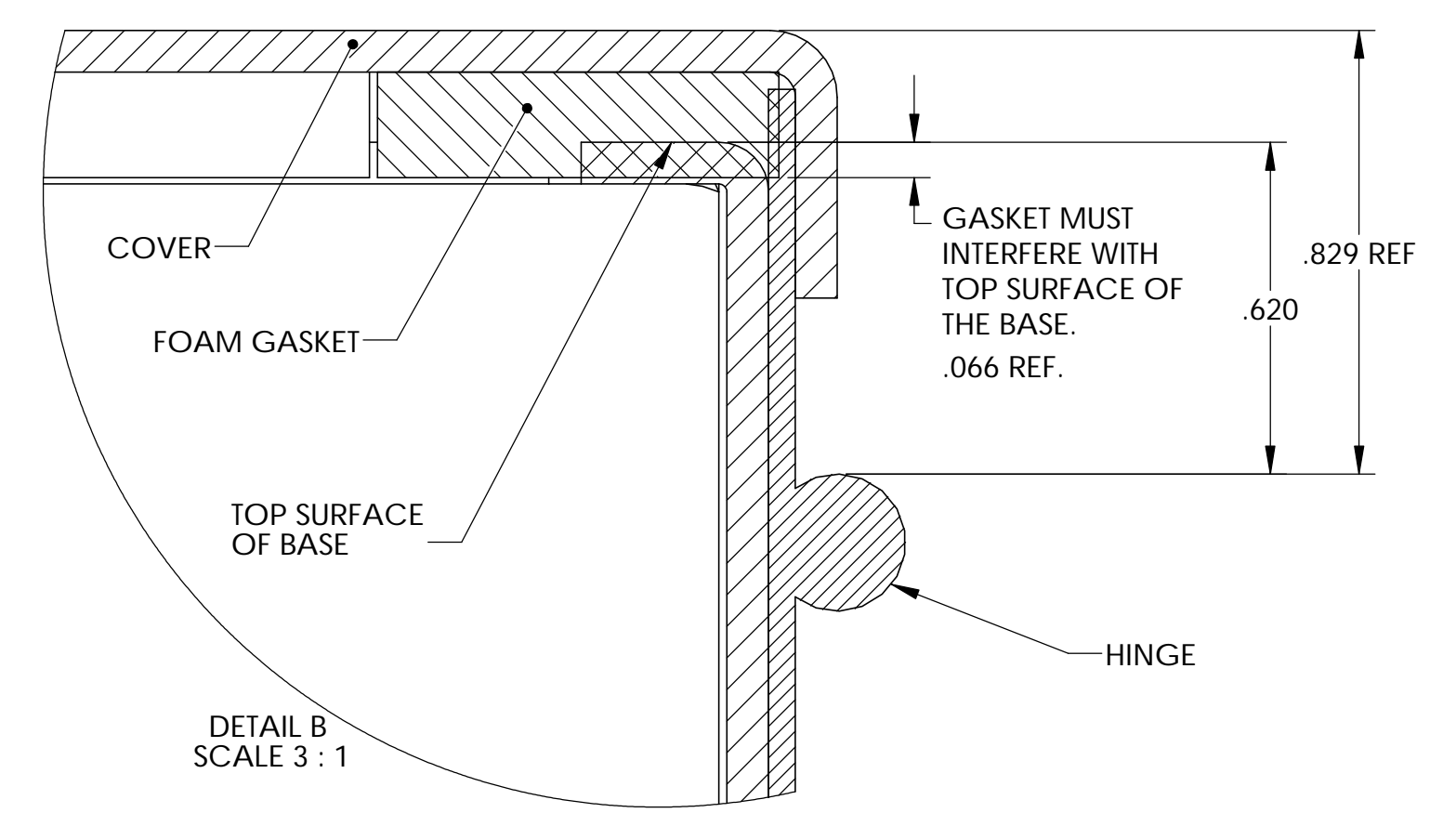
LATCH POSITION FOR  
SN-3704



LATCH POSITION FOR  
SN-3703  
SN-3705  
SN-3706  
SN-3708



LATCH POSITION FOR  
SN-3707  
SN-3709

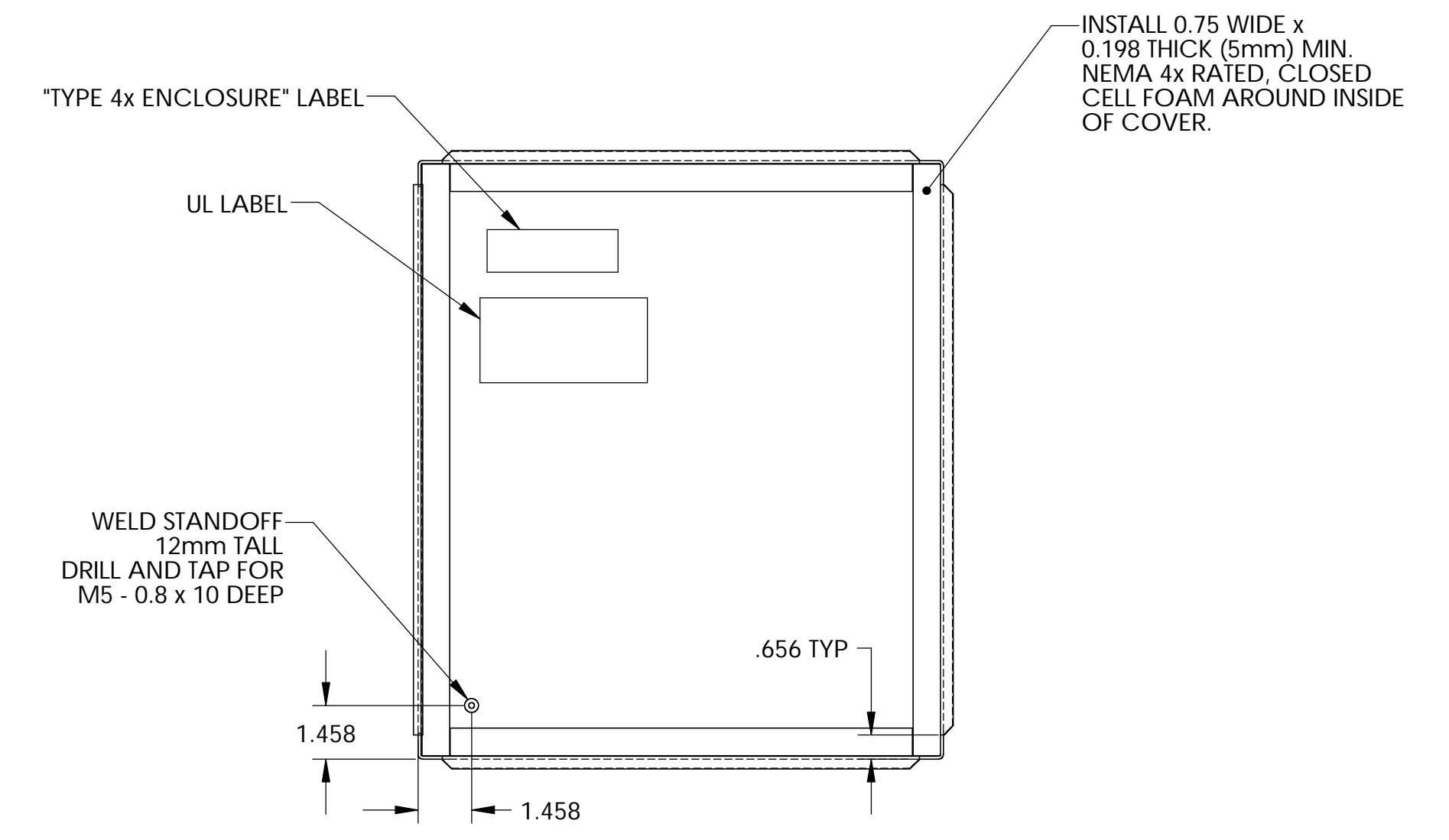
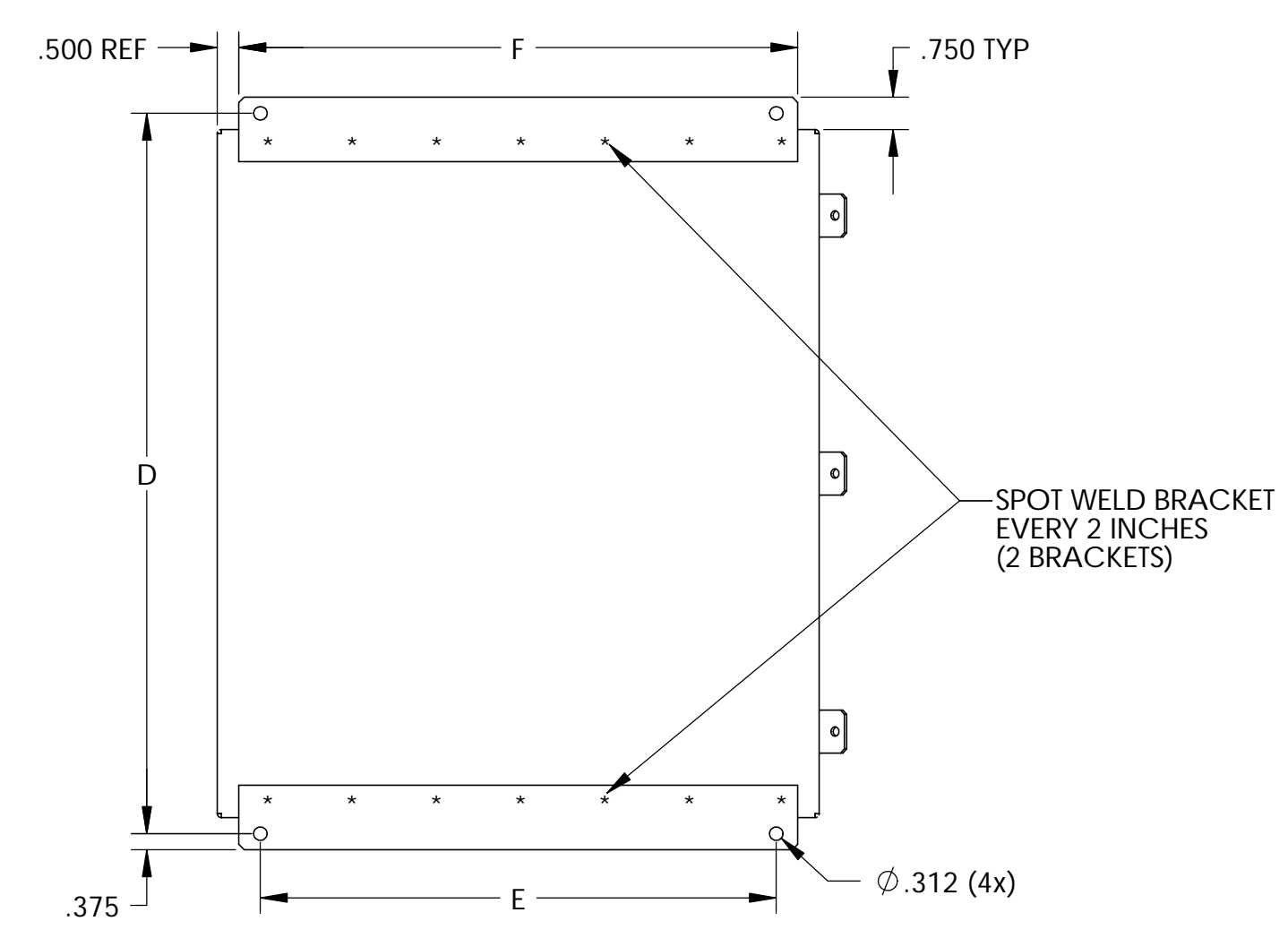
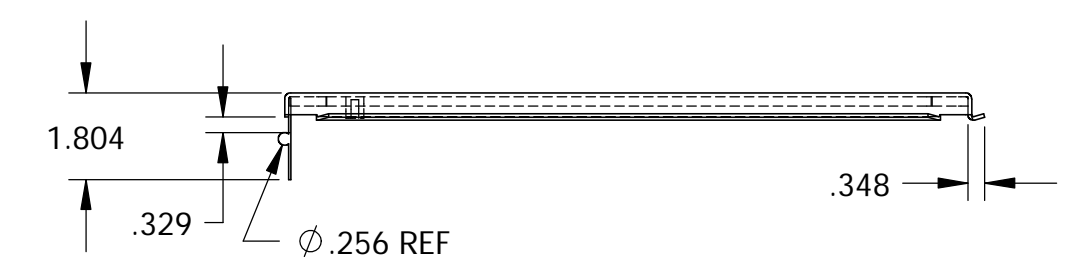
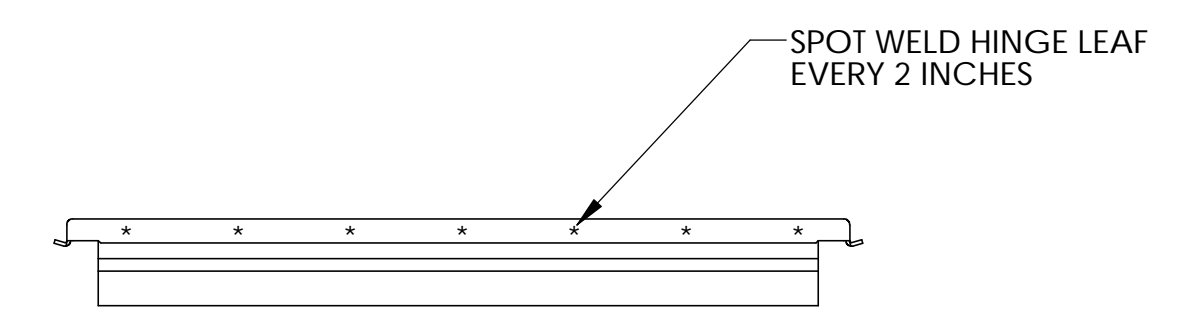
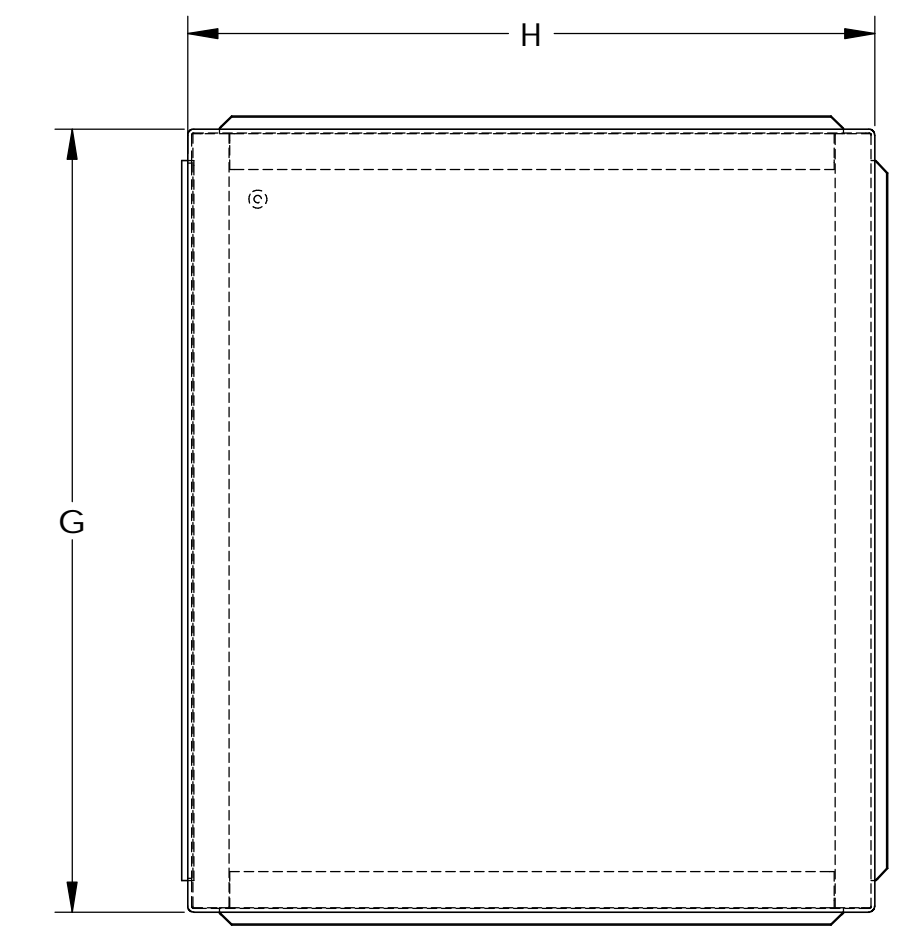
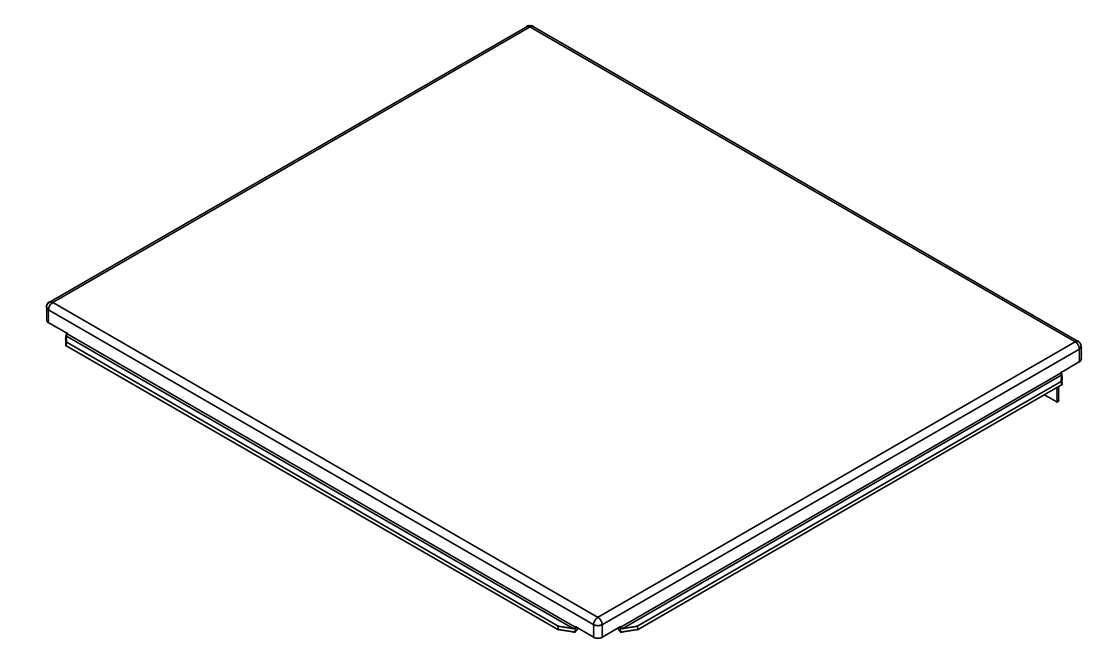
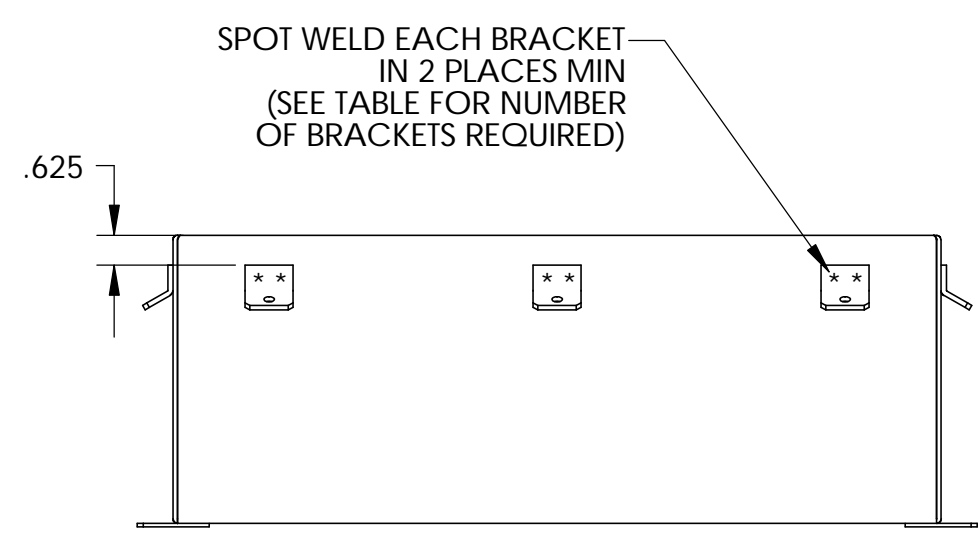
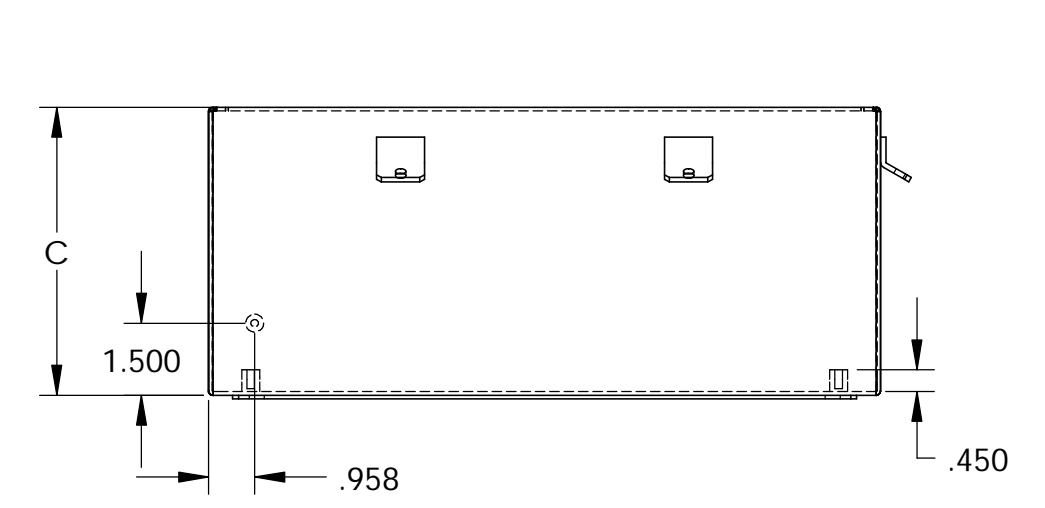
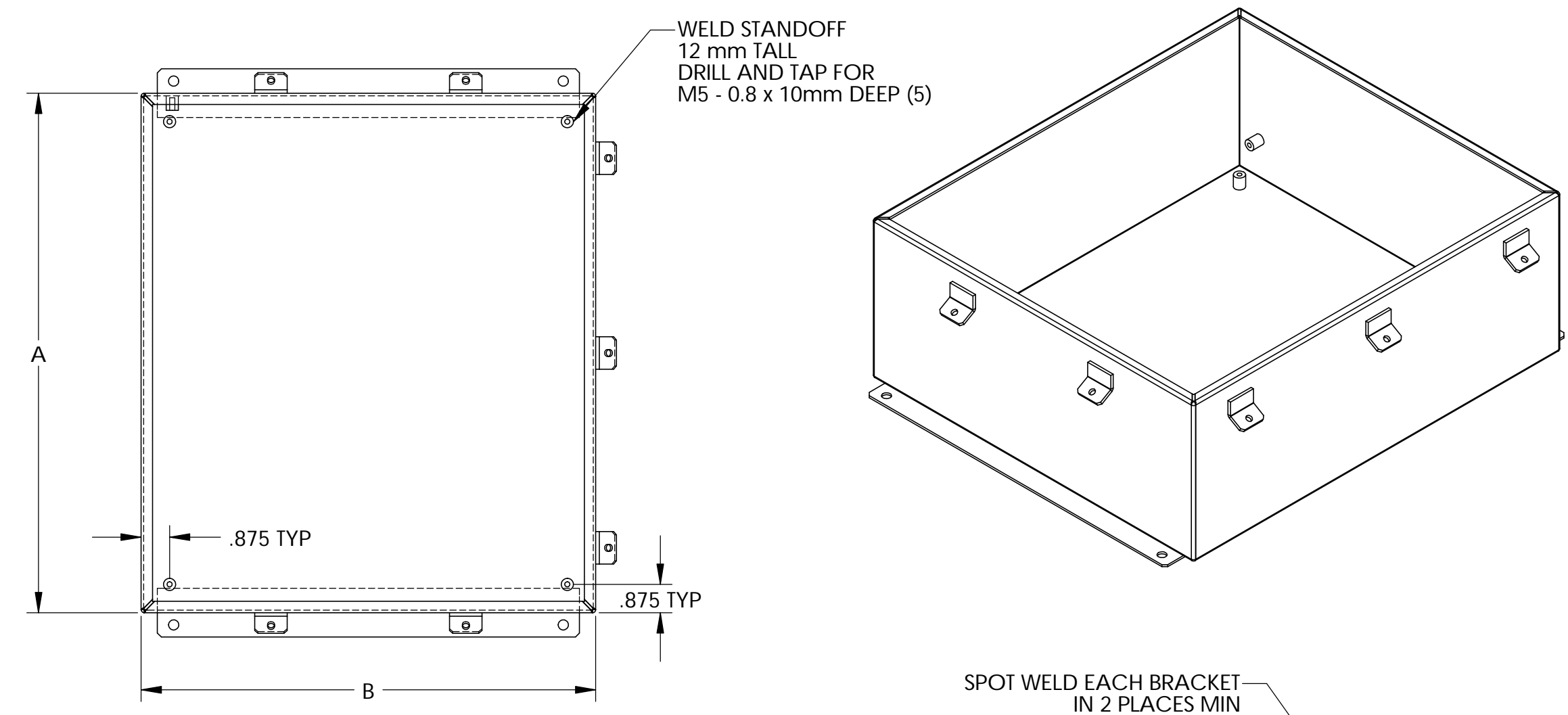


PART NUMBER	A	B	C	D	E	F	G	H	J	K	L	M	No. OF BRACKETS, SCREWS & LATCHES
SN-3700	6.00	4.00	3.00	6.75	2.00	3.00	6.31	4.31	7.50	2.52	3.25	5.00	3
SN-3701	8.00	6.00	3.50	8.75	4.00	5.00	8.31	6.31	9.50	3.02	3.75	7.00	3
SN-3702	6.00	6.00	4.00	6.75	4.00	5.00	6.31	6.31	7.50	3.52	4.25	5.00	3
SN-3703	12.00	10.00	5.00	12.75	8.00	9.00	12.31	10.31	13.50	4.52	5.25	11.00	6
SN-3704	10.00	8.00	6.00	10.75	6.00	7.00	10.31	8.31	11.50	5.52	6.25	9.00	4
SN-3705	12.00	12.00	6.00	12.75	10.00	11.00	12.31	12.31	13.50	5.52	6.25	11.00	6
SN-3706	14.00	12.00	6.00	14.75	10.00	11.00	14.31	12.31	15.50	5.52	6.25	13.00	6
SN-3707	16.00	14.00	6.00	16.75	12.00	13.00	16.31	14.31	17.50	5.52	6.25	15.00	7
SN-3708	14.00	12.00	8.00	14.75	10.00	11.00	14.31	12.31	15.50	7.52	8.25	13.00	6
SN-3709	16.00	14.00	10.00	16.75	12.00	13.00	16.31	14.31	17.50	9.52	10.25	15.00	7

PARTS LIST	
FINISH	AS NOTED
APPROVALS	DATE
DESIGN	1-3-06
CHECKED	DP
MATERIAL	AS NOTED
UNLESS OTHERWISE SPECIFIED	
DO NOT SCALE DRAWING	

THE INFORMATION CONTAINED IN THIS DRAWING IS THE SOLE PROPERTY OF BUD INDUSTRIES INC. ANY REPRODUCTION IN PART OR WHOLE WITHOUT THE WRITTEN PERMISSION OF BUD INDUSTRIES INC. IS PROHIBITED.

DWG. NO. SN-3700	
ISSUE	REVISIONS
	SEE SHEET 1



BODY ASSEMBLY						
PART NUMBER	A	B	C	D	E	F
3700-BA	6.00	4.00	3.00	6.75	2.00	3.00
3701-BA	8.00	6.00	3.50	8.75	4.00	5.00
3702-BA	6.00	6.00	4.00	6.75	4.00	5.00
3703-BA	12.00	10.00	5.00	12.75	8.00	9.00
3704-BA	10.00	8.00	6.00	10.75	6.00	7.00
3705-BA	12.00	12.00	6.00	12.75	10.00	11.00
3706-BA	14.00	12.00	6.00	14.75	10.00	11.00
3707-BA	16.00	14.00	6.00	16.75	12.00	13.00
3708-BA	14.00	12.00	8.00	14.75	10.00	11.00
3709-BA	16.00	14.00	10.00	16.75	12.00	13.00

COVER ASSEMBLY		
PART NUMBER	G	H
3700-CA	6.31	4.31
3701-CA	8.31	6.31
3702-CA	6.31	6.31
3703-CA	12.31	10.31
3704-CA	10.31	8.31
3705-CA	12.31	12.31
3706-CA	14.31	12.31
3707-CA	16.31	14.31
3708-CA	14.31	12.31
3709-CA	16.31	14.31

ALL PARTS TO BE PAINTED SMOOTH GRAY

PARTS LIST			
±.005 BETWEEN HOLE CENTERS	CAD GENERATED DRAWING	DO NOT MANUALLY UPDATE	
±.015 FROM SHEARED EDGE	APPROVALS	DATE	BUD INDUSTRIES INC.
±.032 FROM A BENT SURFACE	DP	1-3-06	
±.040 BETWEEN ASSEMBLED SURFACES UNLESS OTHERWISE SPECIFIED	CHECKED		
MATERIAL AS NOTED	APPROVED		NEMA STEEL METAL BOX
FINISH AS NOTED	DO NOT SCALE DRAWING	SCALE	SIZE [DWG. NO. SN-3700] REV. D
QTY.	USED ON		SCALE [CAD FILE] SHEET 2 OF 2