

**92**mm sq.

# San Ace 92

25mm thick (GA type), 25mm thick (S type)  
 25mm thick, 25mm thick (San Cooler)  
 32mm thick (G type), **38mm thick (GA type)**  
 38mm thick (GV type), 38mm thick (G type)



## General Specifications

- Material ..... Frame: Plastics (Flammability: UL94V-0),  
 Impeller: Plastics (Flammability: UL94V-0)
- Expected Life ..... Refer to specifications (L10: Survival rate: 90% at 60°C ,  
 rated voltage, and continuously run in a free air state)
- Lead Wire ..... ⊕red ⊖black (Sensor) yellow (Control) brown
- Storage Temperature ..... -30°C to +70°C (Non-condensing)

**92×92×38mm** (Mass : 240g) **GA type** **Low Power Consumption Fan**



**Specifications** The following nos. **have PWM controls, pulse sensors, and ribs.** For ribless, append "1" to the model no. (9GA0948P1H03 is with ribs only)

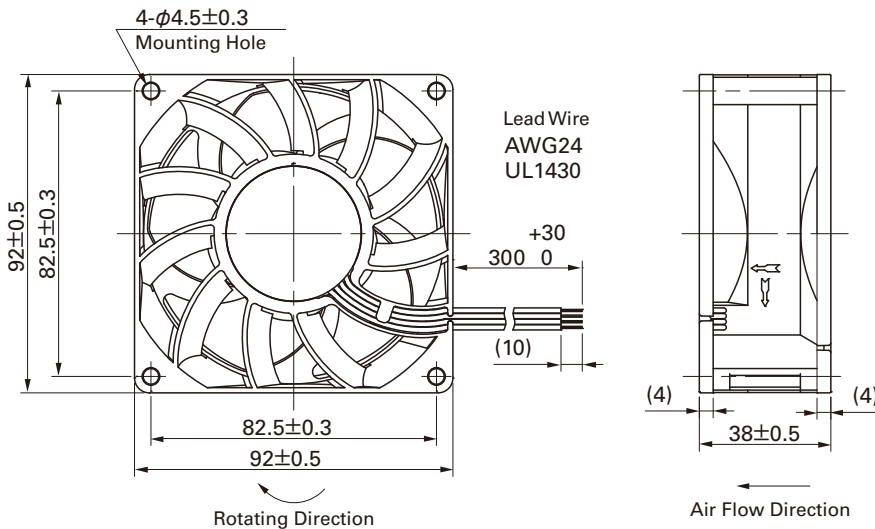
Model No.	Rated Voltage [V]	Operating Voltage Range [V]	PWM duty cycle* [%]	Rated Current [A]	Rated Input [W]	Rated Speed [min <sup>-1</sup> ]	Max. Air Flow [m <sup>3</sup> /min] [CFM]	Max. Static Pressure [Pa] [inchH <sub>2</sub> O]	SPL [dB(A)]	Operating Temperature [°C]	Expected Life <sup>(Note2)</sup> [h]
<b>9GA0912P1H03</b>	12	10.2 to 13.8	100	2.10	25.2	9,700	4.00 141	500 2.01	63	-20 to +70	40,000/60°C (70,000/40°C)
			0	0.16	1.92	2,500	0.97 34.3	33.0 0.13	29		
<b>9GA0948P1H03</b> <sup>(Note1)</sup>	48	40.8 to 55.2	100	0.55	26.4	9,700	4.00 141	500 2.01	63		

Note 1: Rated voltage 48V fans do not rotate when PWM duty cycle is 0%.  
 Note 2: Expected life at 40°C ambient is just reference value.

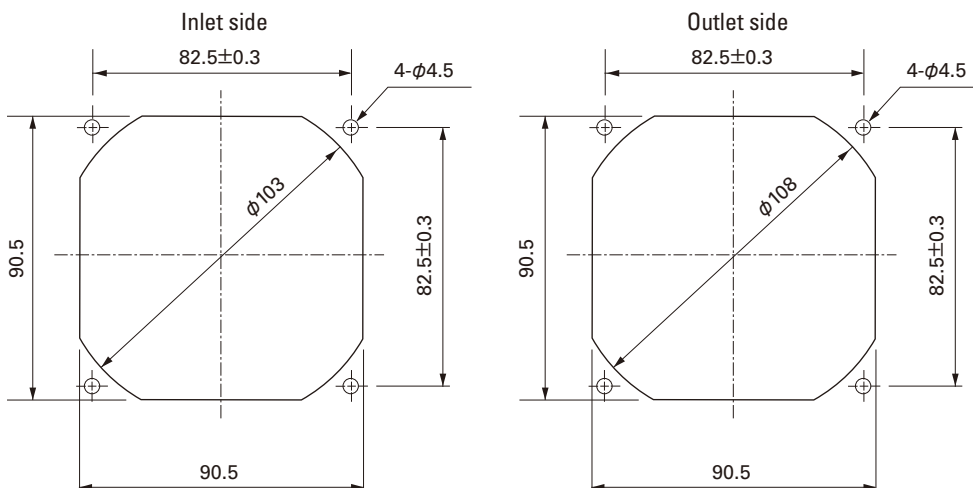
※PWM Frequency : 25kHz

Available options: ⇒ **Without Sensor** **Pulse Sensor**

## Dimensions (Unit : mm) (With ribs)



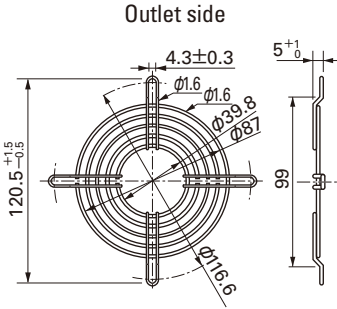
## Reference dimension of mounting holes and vent opening (Unit : mm)



## Options (Unit : mm)

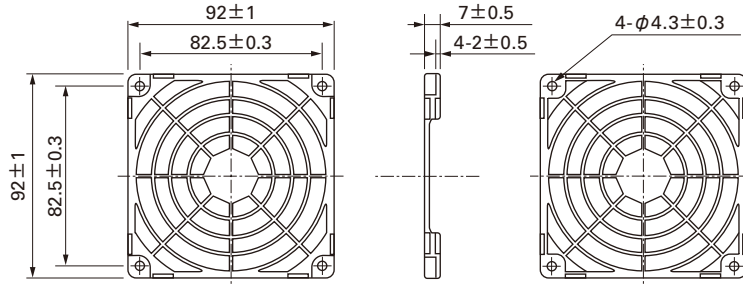
### Finger guards

Model : 109-099C Color : Nickel-chrome plating (silver)



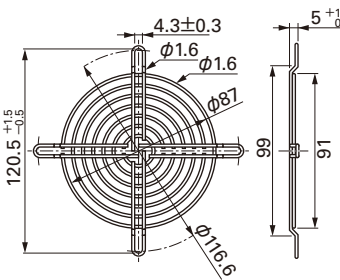
### Resin finger guards

Model : 109-1001G



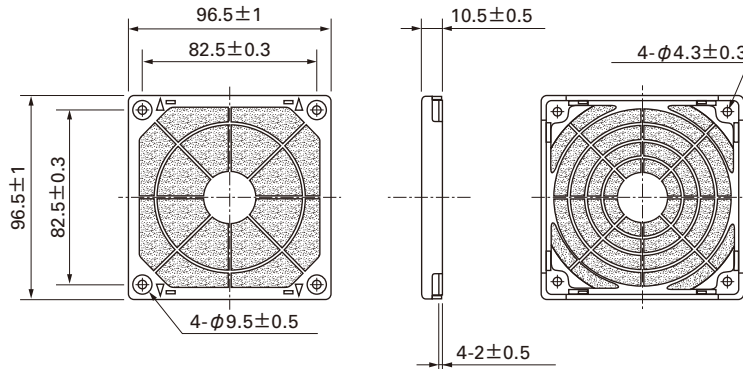
Model : 109-099E Surface treatment : Nickel-chrome plating (silver)  
: 109-099H : Cation electropainting (black)

### Inlet side, Outlet side



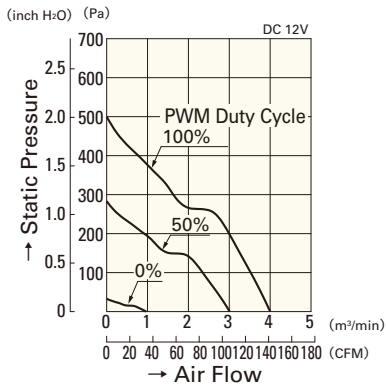
### Resin filter kits

Model : 109-1001F13 (13PPI), 109-1001F20 (20PPI)  
: 109-1001F30 (30PPI), 109-1001F40 (40PPI)



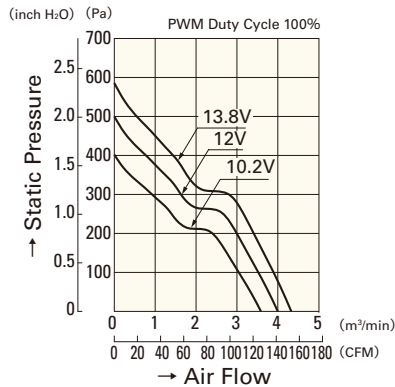
## Air Flow - Static Pressure Characteristics

### PWM Duty Cycle



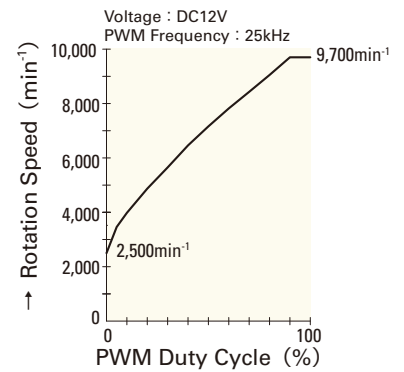
**9GA0912P1H03**

### Operating Voltage Range

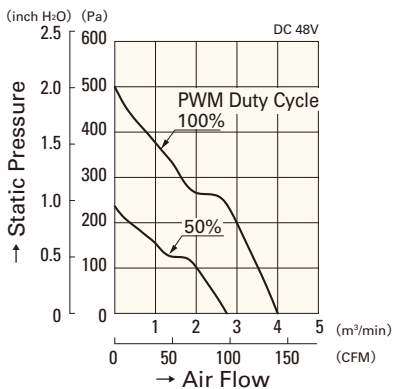


**9GA0912P1H03**

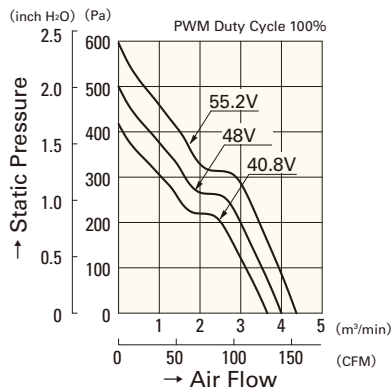
## PWM Duty - Speed Characteristics Example



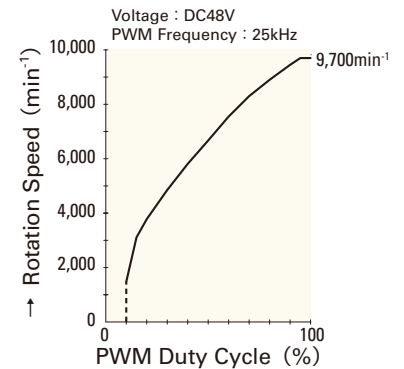
**9GA0912P1H03**



**9GA0948P1H03**



**9GA0948P1H03**



**9GA0948P1H03**