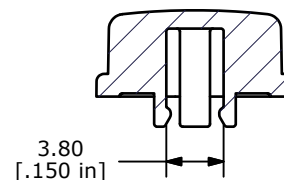
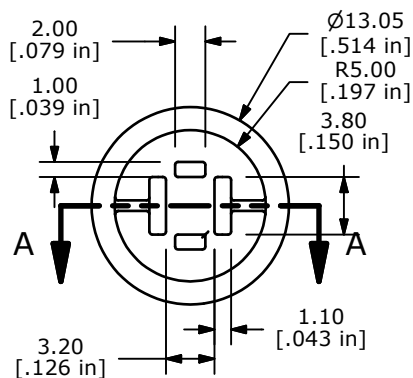
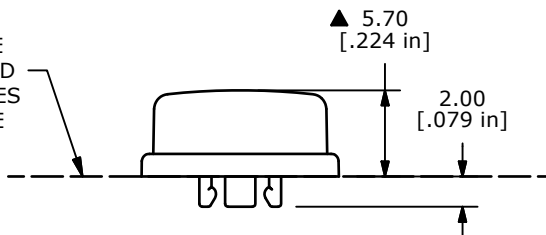


▲ EXTERIOR OF PART TO BE FREE OF SCRATCHES AND SURFACE BLEMISHES ABOVE THIS LINE



SECTION A-A  
SCALE 2:1

NOTES:

1. ALL DIMENSIONS IN MM [INCH]
2. GENERAL TOLERANCE: X.X±0.4  
X.XX±0.25
3. COLOR TO BE BLACK
4. ▲ DENOTES CRITICAL PARAMETER
5. 2002/95/EC (ROHS) COMPLIANT



TITLE TL3300RBLK

A	20329	NEW RELEASE	12/08/11	BMA
REV	PCR NO	DESCRIPTION	DATE	BY

THE INFORMATION CONTAINED IN THIS DOCUMENT IS PROPRIETARY TO E-SWITCH AND IS NOT TO BE COPIED OR TRANSFERRED

SCALE	DATE	DR	DWG	REV
2:1	12/8/2011	BMA	N301109	A