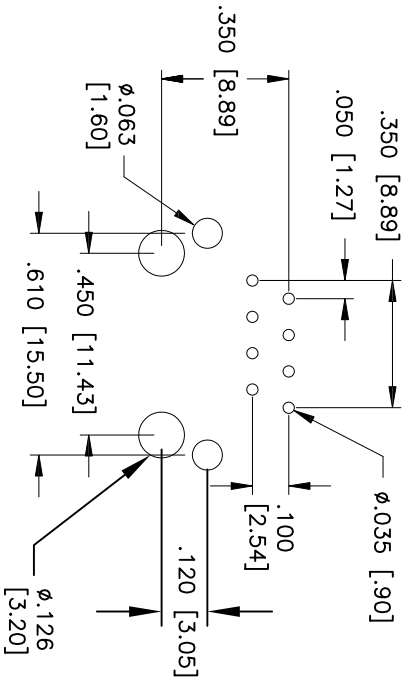
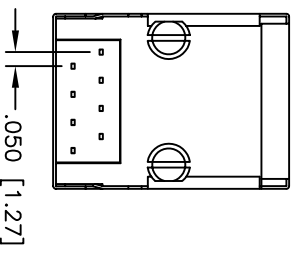
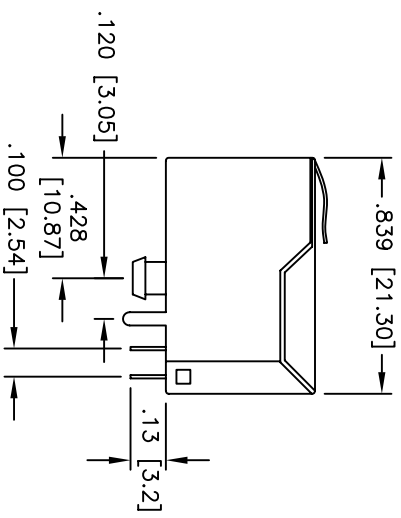
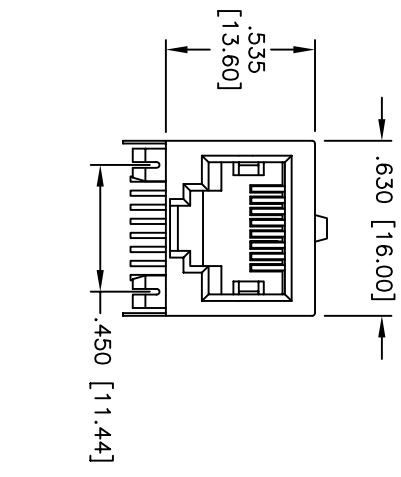


| Rev | AWO # | Description | Date | Appr |
|-----|-------|-------------|---------|------|
| - | | RELEASED | 10/4/04 | |

APPROVED: _____
 DATE: _____ TITLE: _____



| X | PLATING |
|---|-------------|
| 0 | 15 µin Gold |
| 1 | 30 µin Gold |
| 2 | 50 µin Gold |

SPECIFICATIONS:

Material:
 Insulator: PBT, rated UL 94V-0
 Insulator color: Black
 Contacts: Phosphor Bronze
 Shield: Phosphor Bronze, tin plated
 Plating:
 Gold over Nickel underplate on contact area, Tin over Copper underplate on PCB tails

Electrical:
 Operating voltage: 150 VAC max
 Current rating: 1.5 Amps max
 Contact resistance: 20 mohms max @ 500 VDC
 Insulation resistance: 500 Mohms min @ 500 VDC
 Dielectric withstanding voltage: 1000 VAC for 1 minute
 Temperature Rating:
 Operating temperature: -40°C to +125°C

Environmental:
 Lead free, RoHS compliant.
 Recommended soldering temp: 235 for 5 sec.



ADAM TECH

909 Railway Avenue, Union, NJ 07083
 Phone: 908-687-5000 Fax: 908-687-5710

TITLE: MODULAR TELEPHONE JACK, 8P8C
 RIGHT ANGLE, FULL SHIELD, PANEL GROUND

| | |
|--|-------------|
| UNLESS OTHERWISE SPECIFIED ALL DIMENSIONS ARE INCHES [MM] | |
| TOLERANCES: EXCEPT AS NOTED | |
| INCHES | HOLES |
| .X ±.10 | ØXX ±.10 |
| .XX ±.020 | ØXXX ±.015 |
| .XXX ±.015 | ØXXXX ±.010 |
| APPROVALS | DATE |
| DRAWN | SS |
| CHECKED | 10/4/04 |
| APPROVED | |

| | | |
|------------|------------------|------|
| SIZE | PART NO. | REV. |
| X | MTJ-88TX1-FSD-PG | - |
| SCALE: MTS | SHEET 1 OF 1 | |