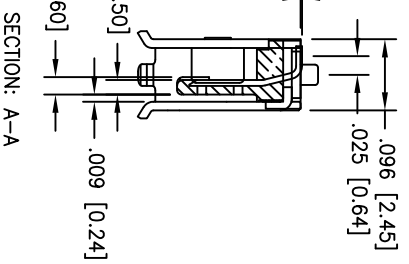
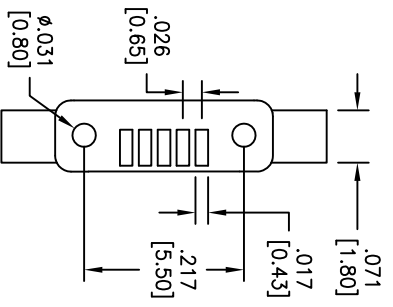
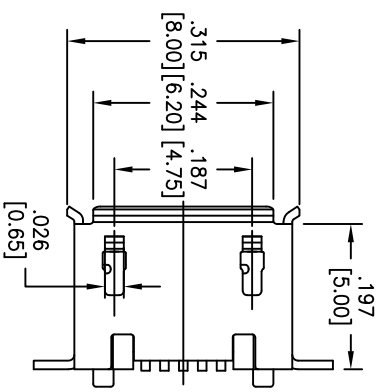
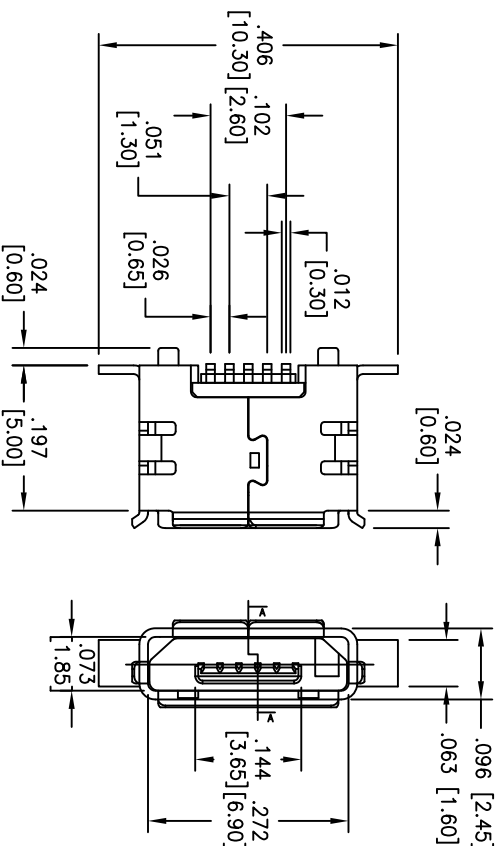


Rev	AWO #	Description	Date	Appr
-		RELEASED	8/10/10	

APPROVED: _____
 DATE: _____ TITLE: _____



RECOMMENDED PCB LAYOUT

PACKAGED ON TAPE AND REEL

SECTION: A-A

SPECIFICATIONS:

Material:

Insulator: LCP, rated UL 94V-0

Insulator color: Black

Contacts: Brass

Shell: Stainless Steel, Nickel over plated

Plating:

Gold Flash over Nickel underplate on contact,

Tin over Copper underplate on tails.

Electrical:

Contact resistance: 30 mohms max.

Insulation resistance: 100 Mohms min. @ 500 VDC

Dielectric withstanding voltage: 100 VAC for 1 minute

Temperature Rating:

Operating temperature: -55°C to +105°C

Environmental:

Lead free, RoHS compliant.

Recommended soldering temp: 260°C for 5 sec.



ADAM TECH

909 Railway Avenue, Union, NJ 07083
 Phone: 908-687-5000 Fax: 908-687-5710

TITLE: MICRO USB, SINGLE PORT, VERTICAL,
 SMT, TAPE AND REEL

UNLESS OTHERWISE SPECIFIED ALL DIMENSIONS ARE INCHES [MM] TOLERANCES: EXCEPT AS NOTED	
INCHES	HOLDS
.X ± .10	ØX ± .10
.XX ± .020	ØXX ± .015
.XXX ± .015	ØXXX ± .010
APPROVALS	DATE
DRAWN	DY
CHECKED	
APPROVED	

SIZE	PART NO.	REV.
X	MCR-AB1-S-V-SMT-P-T/R	-
REF: S0024T	SCALE: NTS	SHEET 1 OF 1