

PLEASE CHECK WWW.MOLEX.COM FOR LATEST PART INFORMATION

Part Number: [0955406888](#)
Status: **Active**
Overview: [modular_plugs_jacks](#)
Description: Modular Jack, Right Angle, Shielded, Low Profile, 8/8

Documents:

[3D Model](#) [Product Specification PS-95540-002 \(PDF\)](#)
[Drawing \(PDF\)](#) [RoHS Certificate of Compliance \(PDF\)](#)
[Application Specification \(PDF\)](#)

Agency Certification

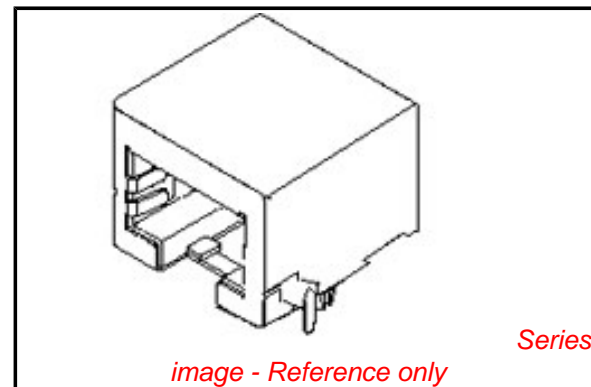
UL E107635

General

Product Family Modular Jacks/Plugs
 Series [95540](#)
 Component Type PCB Jack
 Magnetic No
 Overview [modular_plugs_jacks](#)
 Performance Category 3
 Power over Ethernet (PoE) N/A
 Product Name RJ45

Physical

Boot Color N/A
 Color - Resin Black
 Durability (mating cycles max) 500
 Flammability 94V-0
 Inverted / Top Latch No
 Keying to Mating Part N/A
 Lightpipes/LEDs None
 Material - Metal Brass
 Material - Plating Mating Gold
 Material - Plating Termination Tin
 Material - Resin High Temperature Thermoplastic
 Orientation Right Angle (Side Entry)
 PCB Locator Yes
 PCB Retention Yes
 PCB Thickness Recommended (in) 0.062 In
 PCB Thickness Recommended (mm) 1.57 mm
 Packaging Type Embossed Tape on Reel
 Panel Mount N/A
 Pitch - Mating Interface (in) 0.040 In
 Pitch - Mating Interface (mm) 1.02 mm
 Pitch - Term. Interface (in) 0.050 In
 Pitch - Term. Interface (mm) 1.27 mm
 Plating min: Mating (µin) 50.8
 Plating min: Mating (µm) 1.27
 Plating min: Termination (µin) 76
 Plating min: Termination (µm) 1.9
 Ports 1
 Positions / Loaded Contacts 8/8
 Surface Mount Compatible (SMC) Yes
 Temperature Range - Operating -40°C to +80°C
 Termination Interface: Style Through Hole
 Waterproof / Dustproof No



EU RoHS

**ELV and RoHS
 Compliant**
REACH SVHC
 Not Reviewed
**Halogen-Free
 Status**
Not Reviewed

China RoHS



**Need more information on product
 environmental compliance?**

Email productcompliance@molex.com
 For a multiple part number RoHS Certificate of
 Compliance, [click here](#)

Please visit the [Contact Us](#) section for any
 non-product compliance questions.

Search Parts in this Series

[95540Series](#)

Mates With

FCC 68 Plugs [95043](#)

Wire/Cable Type	N/A
Electrical	
Current - Maximum per Contact	1.5A
Grounding to PCB	Yes
Grounding to Panel	N/A
Shielded	Yes
Voltage - Maximum	125V AC (RMS)

Solder Process Data

Duration at Max. Process Temperature (seconds)	45
Lead-free Process Capability	Reflow Capable (SMT only)
Max. Cycles at Max. Process Temperature	3
Process Temperature max. C	260

Material Info

Reference - Drawing Numbers

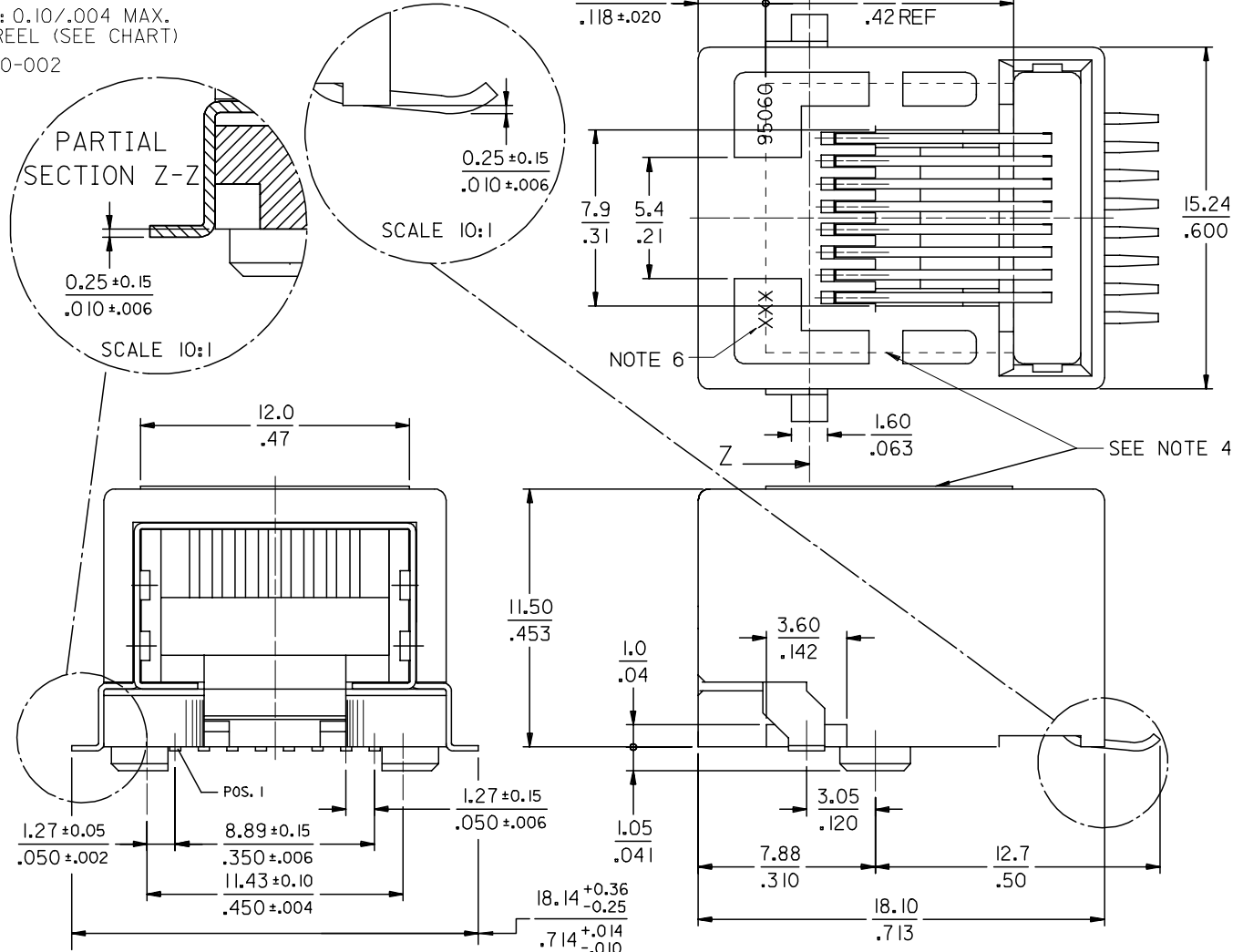
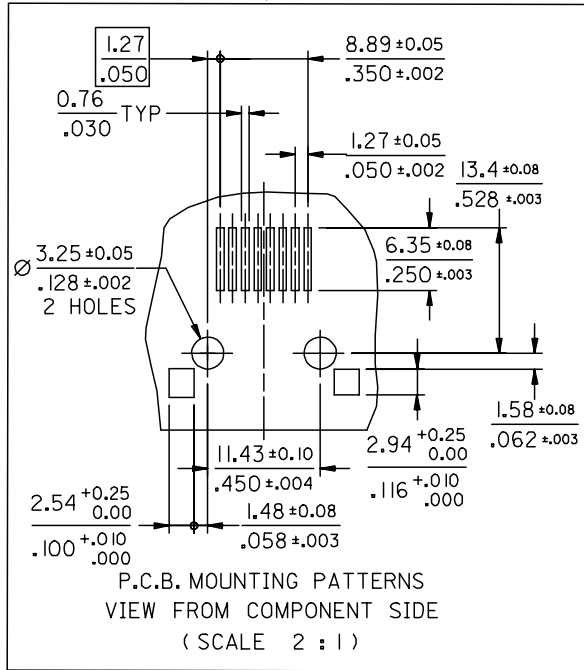
Packaging Specification	PK-85502
Product Specification	PS-95540-002
Sales Drawing	SD-95540-001

This document was generated on 06/07/2010

PLEASE CHECK WWW.MOLEX.COM FOR LATEST PART INFORMATION

NOTES:

- 1- COPLANARITY OF LEADS AND SHIELD TABS: 0.10/.004 MAX.
- 2- PACKAGING SPECIFICATION : BLISTER ON REEL (SEE CHART)
- 3- PRODUCT SPECIFICATION : MOLEX PS-95540-002
- 4- KAPTON ADHESIVE FOIL: 0.125/.005 THICK.
- 5- JACK FOR MATING WITH F.C.C. 68 PLUGS 95043 MOLEX SERIES.
- 6- MANUFACTURING I.D. CAN BE EITHER MXF, MG OR MXL.



PACKAGING			
PART NUMBER	REEL SIZE	SPECIFICATION	PLATING
95540-6886	330/13	PK-85502 SHT 1	2
95540-6888	559/22	PK-85502 SHT 3	2

MATERIAL:
HOUSING: LCP GLASS FILLED UL 94V0, COLOR: BLACK

TERMINAL: BRASS PLATED WITH:

PLATING 2: 0.00127/.000050 MIN GOLD IN CONTACT AREA, 0.00190/.000075 MIN TIN IN TAIL AREA, BOTH OVER 0.00127/.000050 MIN NICKEL OVERALL

PLATING 7: POST PLATE 0.00005/.000002 MIN GOLD OVER 0.00076/.000030 MIN PALLADIUM NICKEL IN CONTACT AREA; 0.00190/.000075 MIN TIN IN TAIL AREA, BOTH OVER 0.00127/.000050 MIN NICKEL OVERALL.

SHIELD: BRASS PLATED WITH 0.0020/.000078 MIN. TIN

CHANGED TERM MATL	2007/06/19
EC NO: E2007-1026	2007/06/20
DRWN:DBRYNES	2007/06/20
CHKD:	
APPR:EDMANNY	2007/06/21

QUALITY SYMBOLS	▽=0
	△=0

GENERAL TOLERANCES (UNLESS SPECIFIED)	MM	INCH
4 PLACES	±---	±---
3 PLACES	±---	±.004
2 PLACES	±0.1	±.006
1 PLACE	±0.15	±---
ANGULAR ±1/2°		
DRAFT WHERE APPLICABLE MUST REMAIN WITHIN DIMENSIONS		

DIMENSION STYLE		SCALE	DESIGN UNITS	THIRD ANGLE PROJECTION
MM/IN		5:1	METRIC	
DRAWN BY	DATE	TITLE		
KNOLLER	04/06/18	RIGHT ANGLE LOW PROFILE SHIELDED PC JACK (SURFACE MOUNT VERSION)		
CHECKED BY	DATE	MOLEX INCORPORATED		
FCARABET	04/06/28			
APPROVED BY	DATE			
KNOLLER	04/06/29			
MATERIAL NO.	DOCUMENT NO.	SHEET NO.		
SEE CHART	SD-95540-001	2 OF 3		

THIS DRAWING CONTAINS INFORMATION THAT IS PROPRIETARY TO MOLEX INCORPORATED AND SHOULD NOT BE USED WITHOUT WRITTEN PERMISSION			
---	--	--	--