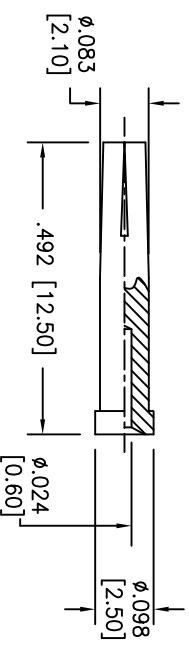
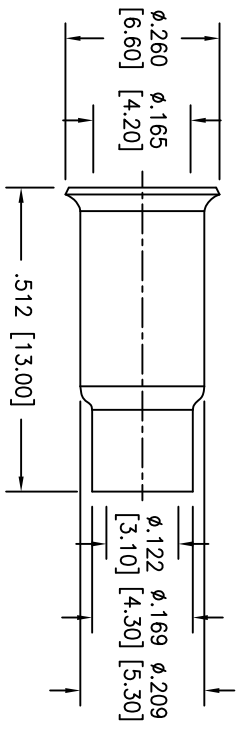
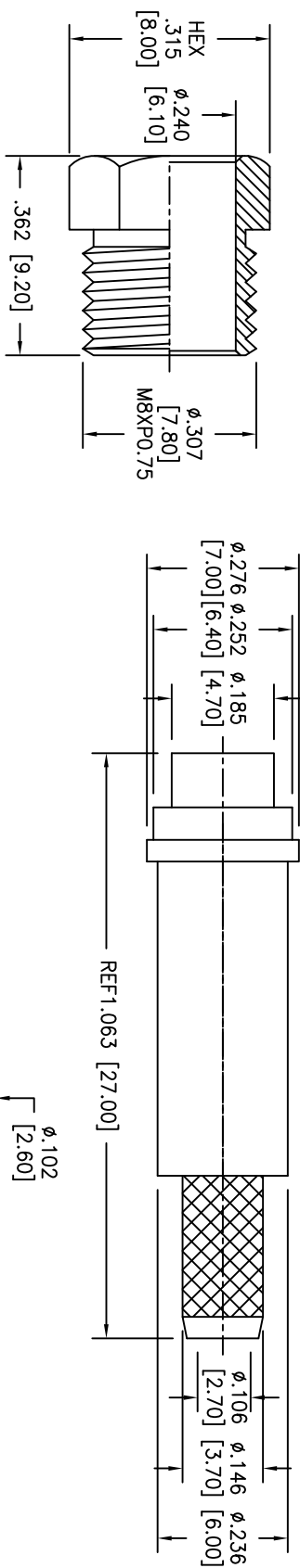


Rev	AWO #	Description	Date	Appr
-		RELEASED	11/17/10	

APPROVED: \_\_\_\_\_ TITLE: \_\_\_\_\_  
 DATE: \_\_\_\_\_



DESCRIPTION	MATERIAL	FINISH
DIELECTRIC	DELTRIN	NONE
NUT	BRASS	NICKEL
FERRULE	BRASS	NICKEL
PIN	BRASS	GOLD
BODY	BRASS	NICKEL

**SPECIFICATIONS:**

Electrical:  
 Frequency range: 0-2 GHz  
 Working Voltage: 250 VRMS max.  
 Dielectric Withstanding Voltage: 500 VRMS min.  
 Contact Resistance: 5 Milliohms max. (Center Contact)  
 2 Milliohms max. (Outer Contact)  
 Insulator Resistance: 1000 Megohms min.  
 Environmental:  
 Lead free, RoHS compliant.



UNLESS OTHERWISE SPECIFIED  
 ALL DIMENSIONS ARE INCHES [MM]  
 TOLERANCES: EXCEPT AS NOTED  
 INCHES HOLES  
 .X ± .10 ØX ± .10  
 .XX ± .020 ØXX ± .015  
 .XXX ± .015 ØXXX ± .010

**ADAM TECH**  
 909 Railway Avenue, Union, NJ 07083  
 Phone: 908-687-5000 Fax: 908-687-5710

APPROVALS	DATE	TITLE	SIZE	PART NO.	REV.
DRAWN AY	11/17/10	FME FEMALE CRIMP FOR RG174	X	RF8-500-3	-
CHECKED VW	11/17/10				
APPROVED					

REF: S00011T SCALE: NTS SHEET 1 OF 1