



N Male to Mini UHF Female Adapter

TECHNICAL DATA SHEET

PE9064

**N Male to Mini UHF Female Adapter**

**Configuration**

Connector 1	N Male
Impedance 1	50 Ohms
Connector 2	Mini UHF Female
Impedance 2	50 Ohms
Adapter Design	Standard
Body Style	Straight

**Electrical Specifications**

Frequency Range, GHz	DC to 2.5
Maximum Operating Voltage, Volts	335

**Mechanical Specifications**

**Temperature**

Operating Range, deg C	-55 to +85
------------------------	------------

**Size**

Length, in [mm]	1.29 [32.77]
Width/Dia., in [mm]	0.827 [21.01]

**Connector 1**

Type	N Male
Inner Conductor Material and Plating	Brass, Gold
Coupling Nut Material and Plating	Brass, Nickel
Coupling Nut Plating Specification	100µ in. minimum
Body Material and Plating	Brass, Nickel
Body Plating Specification	100µ in. minimum
Dielectric Type	Teflon

**Connector 2**

Type	Mini UHF Female
Inner Conductor Material and Plating	Brass, Gold
Body Material and Plating	Brass, Nickel
Body Plating Specification	100µ in. minimum
Dielectric Type	Teflon

**Compliance Certifications** (visit [www.Pasternack.com](http://www.Pasternack.com) for current document)

RoHS Compliant	Yes
----------------	-----

Click the following link (or enter part number in "SEARCH" on website) to obtain additional part information including price, inventory and certifications: [N Male to Mini UHF Female Adapter PE9064](#)

The information contained in this document is accurate to the best of our knowledge and representative of the part described herein. It may be necessary to make modifications to the part and/or the documentation of the part, in order to implement improvements. Pasternack reserves the right to make such changes as required. Unless otherwise stated, all specifications are nominal.





## N Male to Mini UHF Female Adapter

### TECHNICAL DATA SHEET

PE9064

#### Plotted and Other Data

Notes:

Values at 25 °C, sea level

N Male to Mini UHF Female Adapter from Pasternack Enterprises has same day shipment for domestic and International orders. Our RF, microwave and fiber optic products maintain a 99% availability and are part of the broadest selection in the industry.

Click the following link (or enter part number in "SEARCH" on website) to obtain additional part information including price, inventory and certifications: [N Male to Mini UHF Female Adapter PE9064](#)

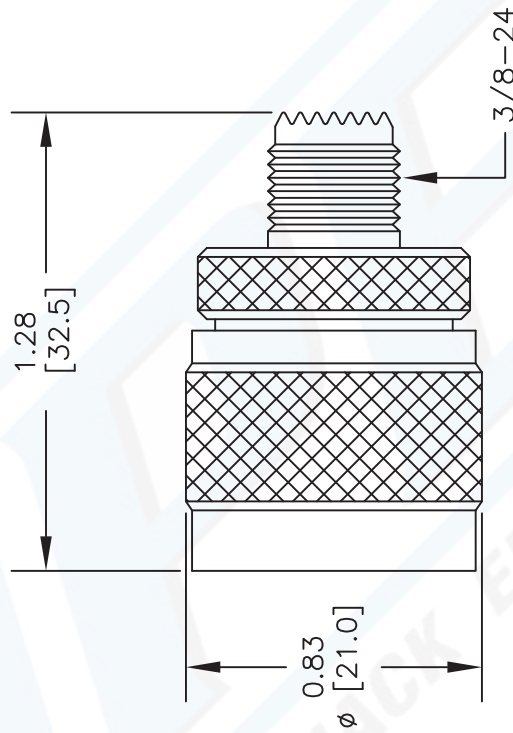
URL: <http://www.pasternack.com/n-male-mini-uhf-female-straight-adapter-pe9064-p.aspx>

The information contained in this document is accurate to the best of our knowledge and representative of the part described herein. It may be necessary to make modifications to the part and/or the documentation of the part, in order to implement improvements. Pasternack reserves the right to make such changes as required. Unless otherwise stated, all specifications are nominal.



# PE9064 CAD Drawing

## N Male to Mini UHF Female Adapter



NOTES:  
 1. UNLESS OTHERWISE SPECIFIED ALL DIMENSIONS ARE NOMINAL.  
 2. ALL SPECIFICATIONS ARE SUBJECT TO CHANGE WITHOUT NOTICE AT ANY TIME.  
 3. DIMENSIONS ARE IN INCHES [mm].

DWG TITLE

**PE9064**

REV. -

FSCM NO. 53919

CAD FILE 082602

SCALE N/A

SIZE A

127



**PASTERNAK®**  
 Pasternack Enterprises, Inc.  
 P.O. Box 16759 | Irvine | CA | 92623  
**Phone:** (949) 261-1920 | **Fax:** (949) 261-7451  
**Website:** www.pasternack.com | **E-Mail:** sales@pasternack.com