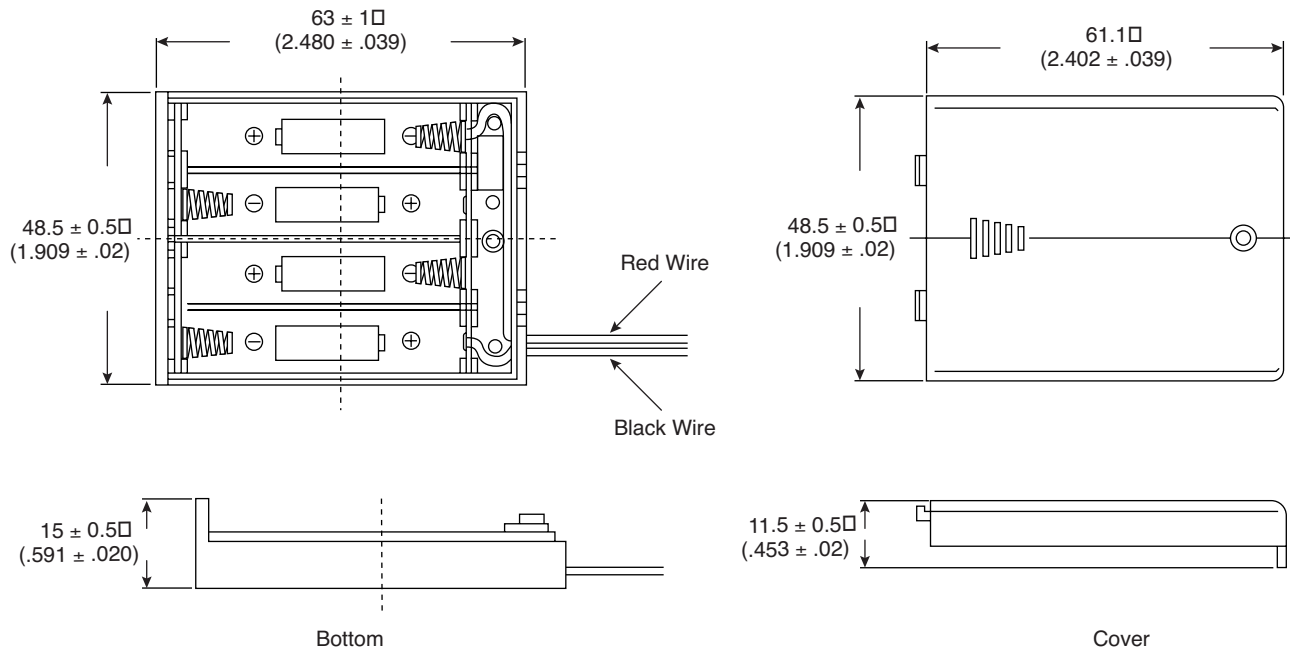


4 “AAA” Battery Holder with Leads and Cover

12BH441/C-GR

Date Last Revised: 06-21-07



Dimensions: mm (in.)

SPECIFICATIONS	
Wire:	AWG#26, Black and Red 150mm \pm 5mm strip and tin 5mm \pm 1mm
Material:	ABS Resin, black color
Spring:	0.6MM 65C spring wire
RoHS Compliant	

Available from Mouser Electronics
1-800-346-6873 / www.mouser.com

EPD-200664