



## Precision 2.92mm Female to 2.92mm Female Right Angle Adapter

## TECHNICAL DATA SHEET

PE9646

**Precision 2.92mm Female to 2.92mm Female Right Angle Adapter**
**Configuration**

Connector 1	2.92mm Female
Impedance 1	50 Ohms
Connector 2	2.92mm Female
Impedance 2	50 Ohms
Adapter Design	Precision
Body Style	Right Angle

**Electrical Specifications**

Frequency Range, GHz	DC to 40
Maximum VSWR	1.3:1
Maximum Insertion Loss, dB	0.31

**Mechanical Specifications**
**Temperature**

Operating Range, deg C	-55 to +100
------------------------	-------------

**Size**

Length, in [mm]	0.585 [14.86]
Width/Dia., in [mm]	0.25 [6.35]
Height, in [mm]	0.585 [14.86]

**Connector 1**

Type	2.92mm Female
Mating Cycles	500
Inner Conductor Material and Plating	Beryllium Copper, Gold
Inner Conductor Plating Specification	MIL-G-45204, Type II, Class 1
Body Material and Plating	Passivated Stainless Steel
Body Plating Specification	ASTM A380
Dielectric Type	PPO

**Connector 2**

Type	2.92mm Female
Mating Cycles	500
Inner Conductor Material and Plating	Beryllium Copper, Gold
Inner Conductor Plating Specification	MIL-G-45204, Type II, Class 1
Body Material and Plating	Passivated Stainless Steel
Body Plating Specification	ASTM A380
Dielectric Type	PPO

Click the following link (or enter part number in "SEARCH" on website) to obtain additional part information including price, inventory and certifications: [Precision 2.92mm Female to 2.92mm Female Right Angle Adapter PE9646](#)

The information contained in this document is accurate to the best of our knowledge and representative of the part described herein. It may be necessary to make modifications to the part and/or the documentation of the part, in order to implement improvements. Pasternack reserves the right to make such changes as required. Unless otherwise stated, all specifications are nominal.



Precision 2.92mm Female to 2.92mm Female Right Angle Adapter

TECHNICAL DATA SHEET

PE9646

**Compliance Certifications** (visit [www.Pasternack.com](http://www.Pasternack.com) for current document)

RoHS Compliant

Yes

**Plotted and Other Data**

Notes:

Values at 25 °C, sea level

URL: <http://www.pasternack.com/2.92mm-female-2.92mm-female-right-angle-adapter-pe9646-p.aspx>

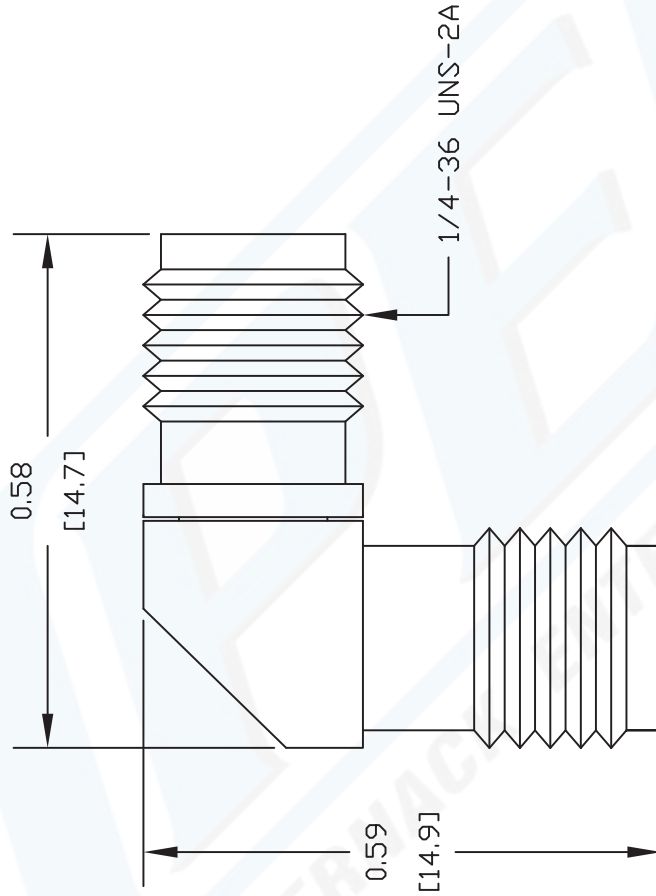
Precision 2.92mm Female to 2.92mm Female Right Angle Adapter from Pasternack Enterprises has same day shipment for domestic and International orders. Our RF, microwave and fiber optic products maintain a 99% availability and are part of the broadest selection in the industry.

The information contained in this document is accurate to the best of our knowledge and representative of the part described herein. It may be necessary to make modifications to the part and/or the documentation of the part, in order to implement improvements. Pasternack reserves the right to make such changes as required. Unless otherwise stated, all specifications are nominal.



# PE9646 CAD Drawing

Precision 2.92mm Female to 2.92mm Female Right Angle Adapter



NOTES:  
1. UNLESS OTHERWISE SPECIFIED ALL DIMENSIONS ARE NOMINAL.  
2. ALL SPECIFICATIONS ARE SUBJECT TO CHANGE WITHOUT NOTICE AT ANY TIME.  
3. DIMENSIONS ARE IN INCHES (mm).

DWG TITLE  
**PE9646**

REV. -	FSCM NO. 53919	CAD FILE 010903	SCALE N/A	SIZE A	127
--------	----------------	-----------------	-----------	--------	-----

**PASTERNAK ENTERPRISES, INC.**  
P.O. BOX 16759, IRVINE, CA 92623  
PHONE (949) 261-1920 FAX (949) 261-7451  
WEB ADDRESS: [www.pasternack.com](http://www.pasternack.com)  
E-MAIL ADDRESS: [sales@pasternack.com](mailto:sales@pasternack.com)  
**COAXIAL & FIBER OPTICS**

