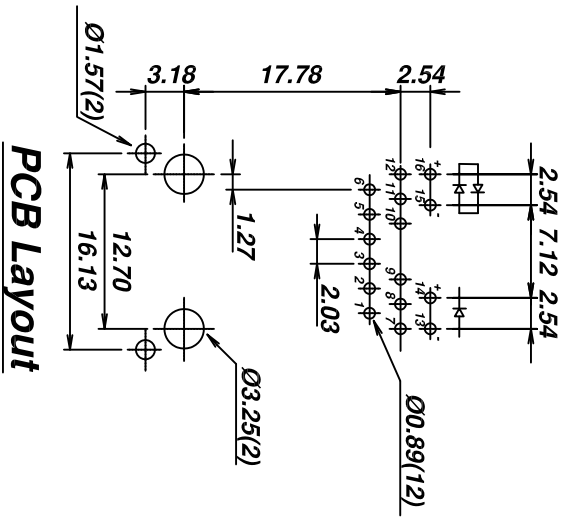
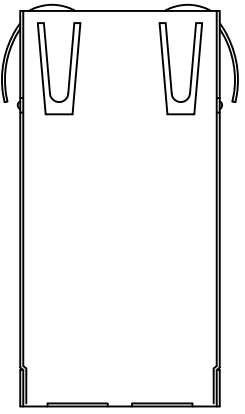
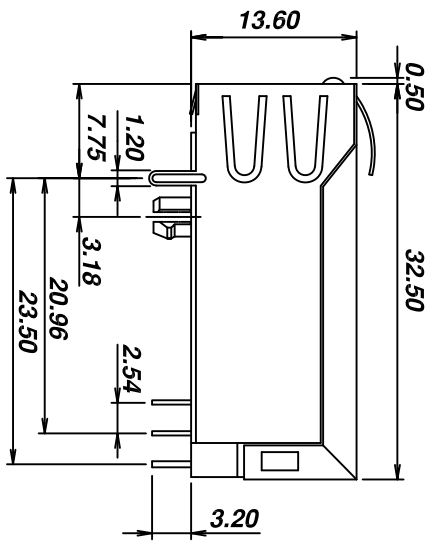
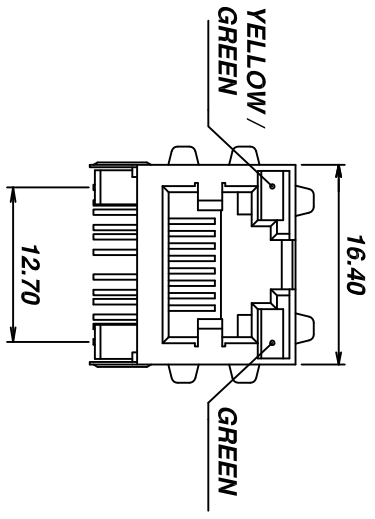


APPROVED: _____ DATE: _____ TITLE: _____

Rev	AWO #	Description	Date	Appr
-		Released	1/21/08	SS



PCB Layout

X IN PART NUMBER	PLATING
1	15 µm Gold
2	30 µm Gold
3	50 µm Gold

LED SPECIFICATIONS			
STANDARD LED	WAVELENGTH	FORWARD V (max)	TYP
GREEN	565nm	2.4V	2.2V
YELLOW	590nm	2.5V	2.1V

* WITH A FORWARD CURRENT OF 20ma

SPECIFICATIONS:

Material: Insulator: PBT, glass reinforced, rated UL 94V-0

Insulator color: Black

Contacts: Phosphor Bronze

Plating:

Gold over nickel underplate on contact area, Tin over copper underplate on solder tails

Electrical:

Operating voltage: 150 VAC max

Current rating: 1.5 Amps max

Contact resistance: 20 mohms max

Insulation resistance: 500 Mohms min

Dielectric withstanding voltage: 1000 VAC for 1 minute

Temperature Rating:

Operating temperature: -40°C to +125°C

Environmental: Lead free, RoHS compliant.

Recommended soldering temp: 235°C. for 5 sec.



UNLESS OTHERWISE SPECIFIED
ALL DIMENSIONS ARE MM [INCHES]
TOLERANCES: EXCEPT AS NOTED
INCHES

X	± .10	ØX	± .10
.XX	± .020	ØXX	± .015
.XXX	± .015	ØXXX	± .010

ADAM TECH

909 Rahway Avenue, Union, NJ 07083
Phone: 908-687-5000 Fax: 908-687-5710

Magnetic Telephone Jack, 1000 BASE T, 8P8C Fully Shielded, Green/ Yellow LEDS

APPROVALS	DATE	TITLE
DRAWN SS	1/21/08	Magnetic Telephone Jack, 1000 BASE T, 8P8C Fully Shielded, Green/ Yellow LEDS
CHECKED		
APPROVED		

SIZE	PART NO.	REV.
X	MTJ-88CX1-FSP-PG-LUM49	
REF:	SCALE: NTS	SHEET 1 OF 2