

Model NO.	LCCE-040■342	Model Name	Power Supply
Part NO.	PLCCE0040■342	SIZE	163 * 47 * 31.6 mm 【6.42 * 1.85 * 1.24 inch】

FEATURES



- ◆ AC Input 90~305Vac
- ◆ Protection: SCP / OTP / OVP
- ◆ High Operating ambient Temp: -20°C ~ +60°C
- ◆ Power Factor: >0.95@115VAC >0.9@230VAC
- ◆ Safety: UL
- ◆ EMC: CE / FCC
- ◆ Comply with Indoor/Outdoor Waterproof (IP 67)
- ◆ Dimension(L*W*H): 163 * 47 * 31.6 mm
- ◆ Dimension(L*W*H): 6.42 * 1.85 * 1.24 inch
- ◆ ROHS Compliant

Module : LCCE-040■342

*,# =SEE NOTES BELOW

*(8)	SPECIFICATION	MODEL		
		LCCE-040■342		
		min.	norm.	max.
	DC OUTPUT VOLTAGE (V)		12	
*	PRESET ACCURACY (%) *(7)		5	
*	OUTPUT CURRENT(A) *(5)		3.4	
*	O/P NOISE (P-P, V) *(3)			2.5
*	LINE REGULATION (%) *(6)		10	
	DC OUTPUT POWER	40.8 W		
	EFFICIENCY(typ @Full Load)	83%		
	TURN ON DELAY TIME	3000ms at full load 115VAC/230VAC		
	INPUT VOLTAGE RANGE	90-305VAC, 127-431VDC, Normal : 100-277VAC		
	INPUT FREQUENCY	Range:47-63Hz, Normal : 50-60Hz		
	INRUSH CURRENT (typ)	COLD START 43A @ 230VAC		
	AC CURRENT	0.7A/100VAC		
	LEAKAGE CURRENT	0.75mA/264VAC		
	SHORT CIRCUIT PROTECTION	The SCP, OTP and OVP will restart automatically after the fault condition is removed.		
	OVER TEMP. PROTECTION			
	OVER V, PROTECTION			
*	OPERATING TEMP.*(4)	-20 to +60°C @full load		
	STORAGE TEMPERATURE	-40 to +80°C		
	RELATIVE HUMIDITY	10 to +90%		
	TEMP. COEFFICIENT	0.03% / °C (0-50°C, typ)		
	SAFETY	UL 60950-1		
	EMI	CE EN55015 / FCC Part15		
	DIMENSIONS(L*W*H)	163 * 47 * 31.6 mm 【6.42 * 1.85 * 1.24 inch】		

NOTES : (1)All parameters not specially mentioned are measured 230VAC input.

(2)All specifications Typical @25°C, unless otherwise noted, at normal line and load.

(3)Ripple and Noise measured directly at pins/terminals at nom. load, @20MHz bandwidth.

(4)Specified for free-air convection cooling.

(5)Minimum load is NOT required for proper operation .

(6)Line regulation measured from 100VAC to 277VAC.

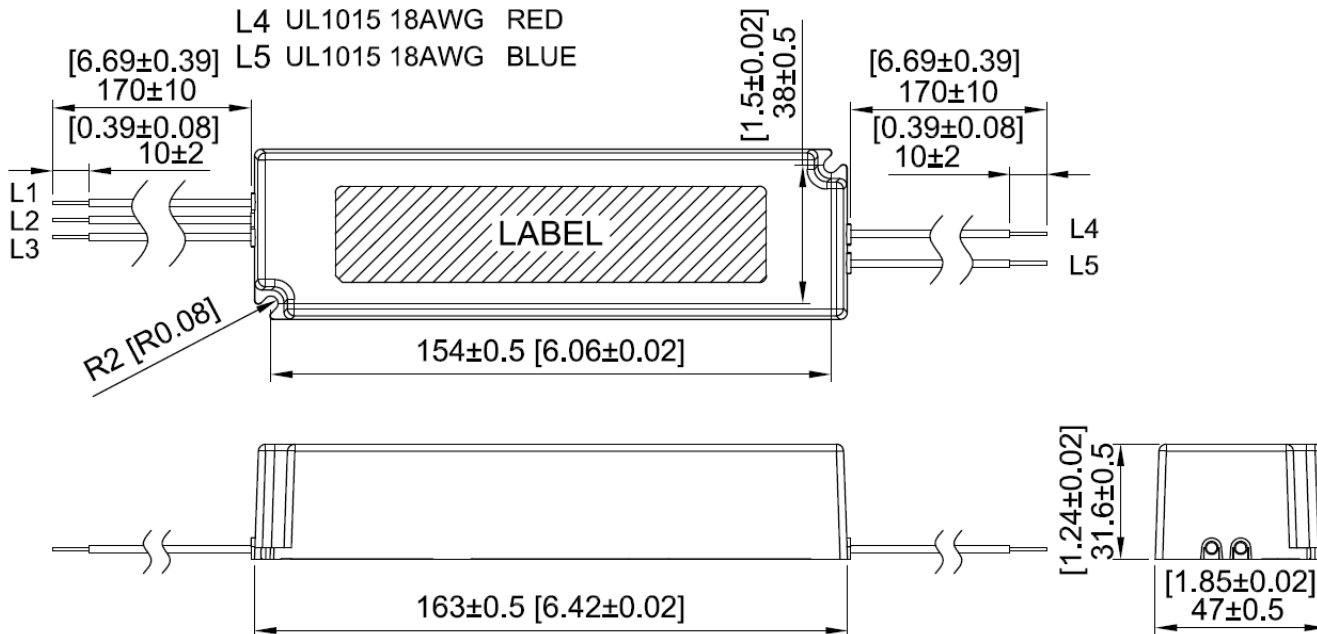
(7)Preset accuracy measured at normal load, 120VAC input.

(8)100% Production Tested.

Model NO.	LCCE-040■342	Model Name	Power Supply
Part NO.	PLCCE0040■342	SIZE	163 * 47 * 31.6 mm 【6.42 * 1.85 * 1.24 inch】

Dimensions

- L1 UL1015 18AWG BLACK
- L2 UL1015 18AWG WHITE
- L3 UL1015 18AWG GREEN/YELLOW
- L4 UL1015 18AWG RED
- L5 UL1015 18AWG BLUE



Unit : mm [inch]

※Reference