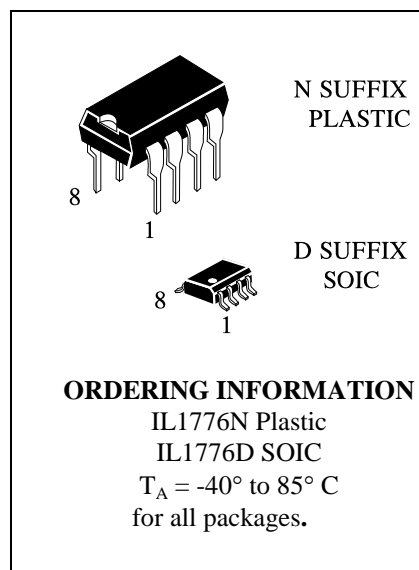


MICROPOWER PROGRAMMABLE OPERATIONAL AMPLIFIER

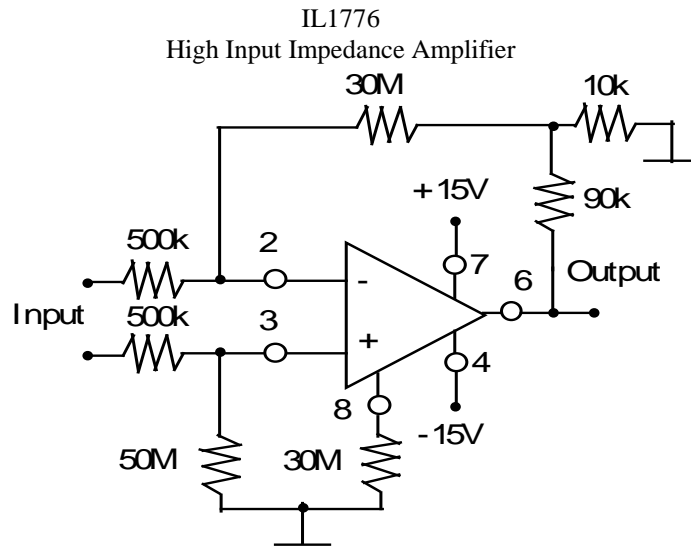
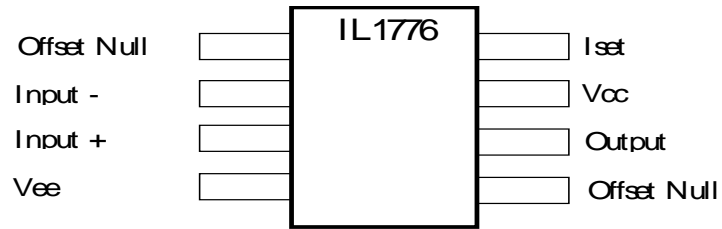
IL1776

This extremely versatile operational amplifier features low power consumption and high input impedance. In addition, the quiescent currents within the device may be programmed by the choice of an external resistor value or current source applied to the I_{set} input. This allows the amplifier's characteristics to be optimized for input current and power consumption despite wide variations in operating power supply voltages.

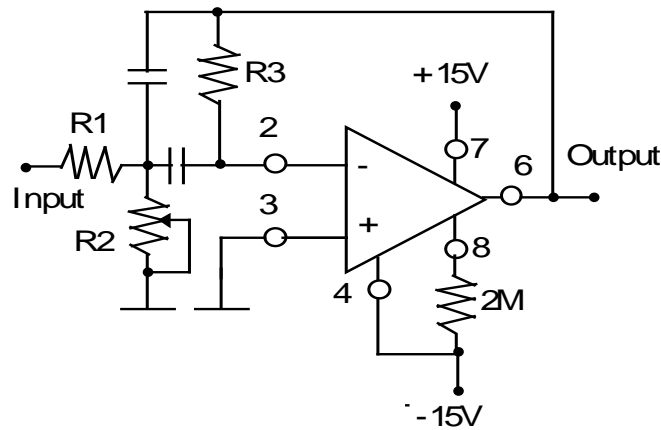


FEATURES

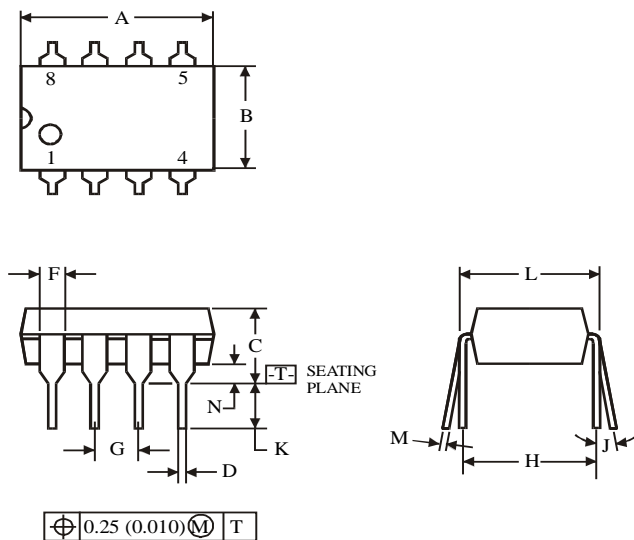
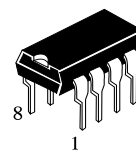
- Supply Operation $\pm 1,2 - \pm 18$ V
- Input Bias Current 2nA typ
- Input Offset Current 0,7 nA typ
- Input Offset Voltage 2 mV typ
- Large Signal Voltage Gain ≥ 50 k V/V
- Low Current Drain
- Wide Programming Range
- Offset Null Capability
- Short Circuit Protection
- Internally Frequency Compensated for Unity Gain



Multiple Feedback Bandpass Filter (1.0kHz)



N SUFFIX PLASTIC DIP
(MS - 001BA)

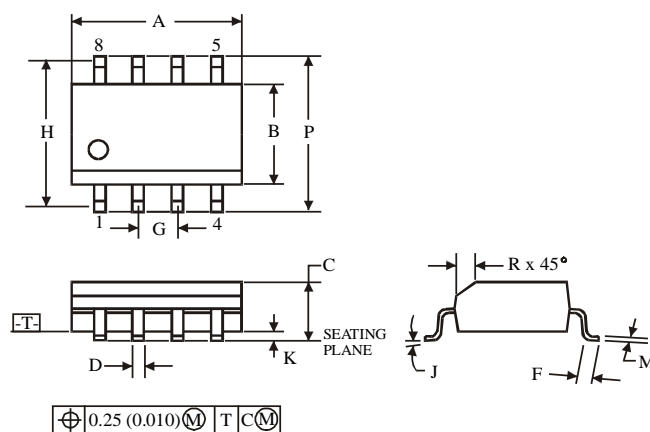
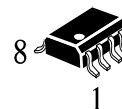


Symbol	Dimension, mm	
	MIN	MAX
A	8.51	10.16
B	6.1	7.11
C		5.33
D	0.36	0.56
F	1.14	1.78
G	2.54	
H	7.62	
J	0°	10°
K	2.92	3.81
L	7.62	8.26
M	0.2	0.36
N	0.38	

NOTES:

- Dimensions "A", "B" do not include mold flash or protrusions.
Maximum mold flash or protrusions 0.25 mm (0.010) per side.

D SUFFIX SOIC
(MS - 012AA)



Symbol	Dimension, mm	
	MIN	MAX
A	4.8	5
B	3.8	4
C	1.35	1.75
D	0.33	0.51
F	0.4	1.27
G	1.27	
H	5.72	
J	0°	8°
K	0.1	0.25
M	0.19	0.25
P	5.8	6.2
R	0.25	0.5

NOTES:

- Dimensions A and B do not include mold flash or protrusion.
- Maximum mold flash or protrusion 0.15 mm (0.006) per side
for A; for B - 0.25 mm (0.010) per side.