

6

5

4

3

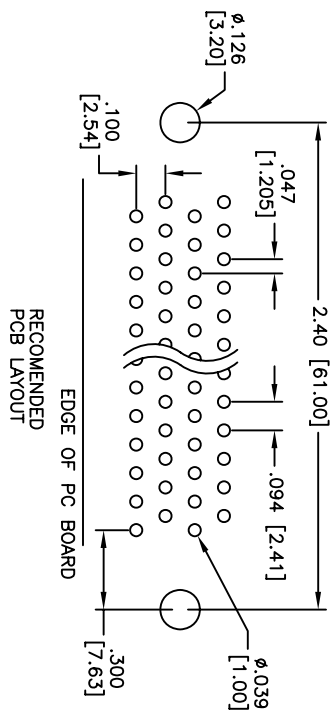
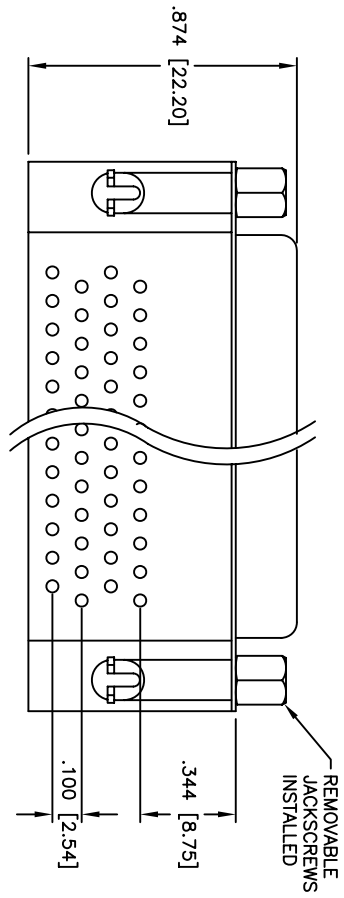
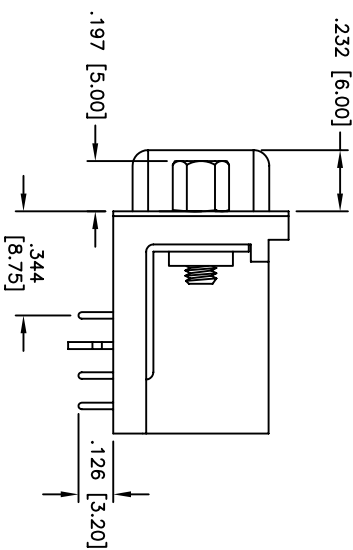
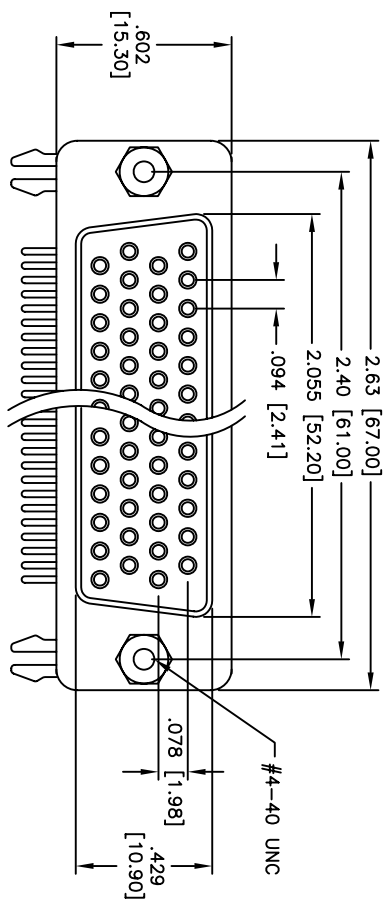
2

1

Rev	AWO #	Description	Date	Appr
-		RELEASED	1/16/06	

APPROVED: _____

DATE: _____ TITLE: _____



SPECIFICATIONS:

- Material: Insulator: PBT, glass reinforced, rated UL 94V-0
- Insulator color: Black
- Contacts: Phosphor Bronze
- Shell: Steel, Tin plated
- Hardware: Brass, Nickel plated
- Plating: Gold flash over Nickel underplate overall

- Electrical: Operating voltage: 250 VAC max
- Current rating: 5 Amps max
- Contact resistance: 20 mohms max
- Insulation resistance: 5,000 Mohms min
- Dielectric withstanding voltage: 1,000 VAC for 1 minute
- Temperature Rating: Operating temperature: -65°C to +125°C
- Environmental: Lead free, RoHS compliant
- Recommended soldering temp: 230°C for 5 seconds



ADAM TECH

909 Rahway Avenue, Union, NJ 07083
 Phone: 908-687-5000 Fax: 908-687-5710

TITLE: HIGH DENSITY D-SUB SOCKET, R/A
 #4-40 INSERTS & FORKED BOARDLOCKS

UNLESS OTHERWISE SPECIFIED ALL DIMENSIONS ARE INCHES [MM] TOLERANCES: EXCEPT AS NOTED		DRAWN: SS		DATE: 1/16/06	
.X	± .10	ØX	± .10	TITLE	
.XX	± .020	ØXXX	± .015	HIGH DENSITY D-SUB SOCKET, R/A	
.XXX	± .015	ØXXXX	± .010	#4-40 INSERTS & FORKED BOARDLOCKS	
APPROVALS			DATE	SIZE	PART NO.
CHECKED				X	HDL78-SL-C
APPROVED				REF:	SCALE: NTS
				SHEET	1 OF 1

6

5

4

3

2

1