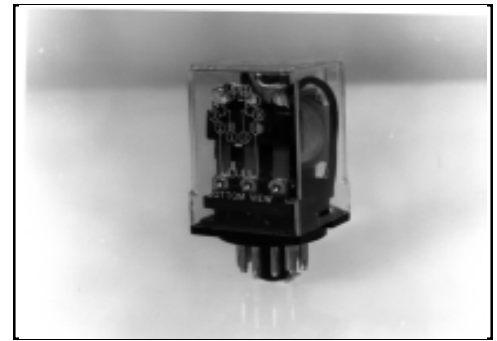


■ Features

- Industrial Control Relays
- Power Type
- Large Capacity 10A
- 1,2 and 3 Poles



ULE155906
 C-ULE155906

■ Contact Rating

Voltage	Resistive	Inductive	Motor Load
28VDC	10A	7A	—
120VAC	10A	7A	1/6 HP
240VAC	10A	—	1/3 HP

Note:

Inductive load:
 p.f. = 0.4, L/R = 7msec

Resistive load:
 p.f. = 1

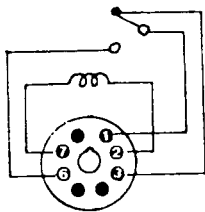
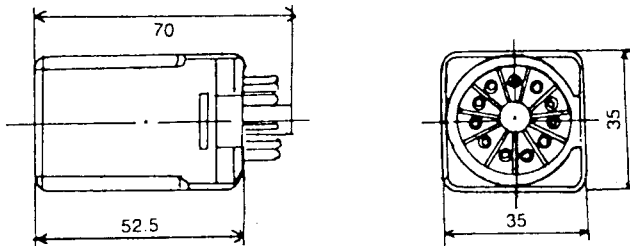
■ Coil Rating

Rated Voltage (V)	Coil Resistance (Ω) ± 10% at 20°C	Max. Pick-up Voltage	Min. Drop-out Voltage	Max. Allowable Voltage	Power Consumption
		% of Rated Voltage at 20°C			
AC	6	80 Max.	30 Min.	110 Max.	Approx. 2.1 VA
	12				
	24				
	110				
	120				
	220				
	240				
DC	6	80 Max.	10 Min.	110 Max.	Approx. 1.2W
	12				
	24				
	48				
	110				
	125				

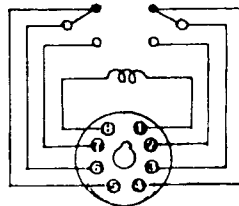
■ Specifications

Contact Resistance	Less than 50m Ω maximum
Operate Time	Approx. 15ms maximum
Release Time	Approx. 10ms maximum
Insulation Resistance	100M Ω minimum at 500VDC
Dielectric Strength	Between open contacts: AC 500V for 1 minute Between contact and coil: AC 1500V for 1 minute Between live parts and ground: AC 1500V for 1 minute
Ambient Temperature	-10°C ~ +40°C
Mechanical Life	More than 10,000,000 operations
Electrical Life	More than 100,000 operations
Contact Material	AgCdO
Weight	85g approx.

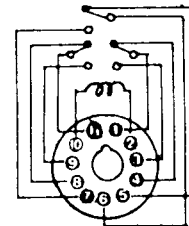
■ Dimensions



1C

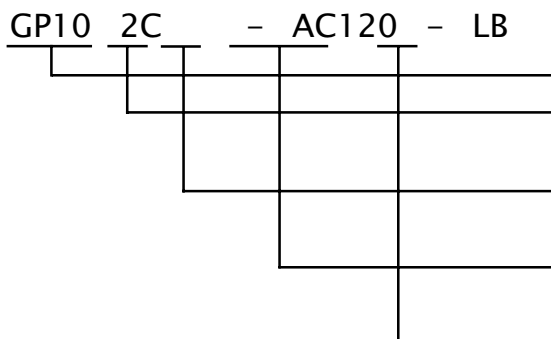


2C



3C

■ How to order



Model

Contact Arrangement: 1A, 1B, 1C, 2A, 2B, 2C, 3A, 3B, 3C

Contact Material: Blank = AgCdO
G = Gold Flashed

Coil Voltage: AC: 6, 12, 24, 110, 120, 220, 240
DC: 6, 12, 24, 48, 110, 125

Options: L = Neon Lamp; B = Test Button
LB = Lamp & Button