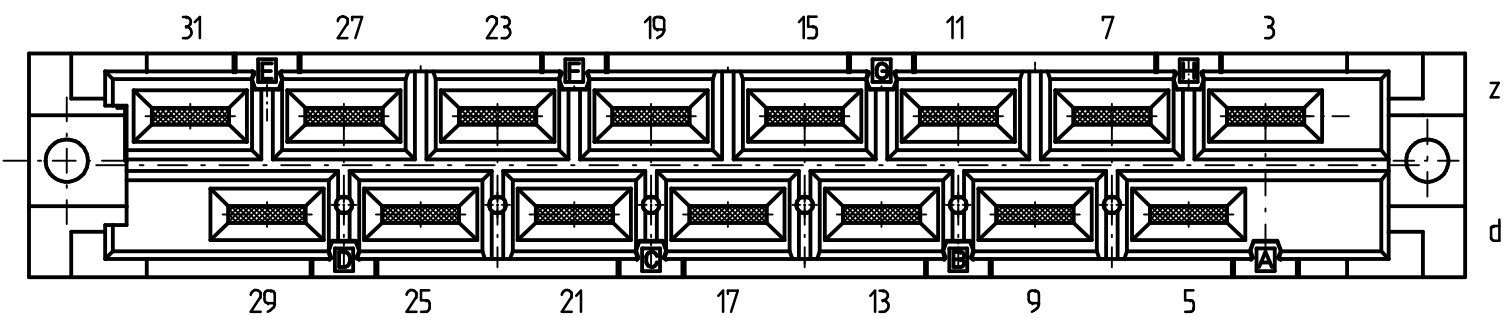


Bestückungsplan / contact layout



Lötanschluss 1,2 x 0,6 mm / solder terminal 1,2 x 0,6 mm

Isolierwerkstoff / housing material : PBT GF30

Bauart 2 / type 2

Anforderungsstufe 1 = 500 Steckzyklen / performance class 1 = 500 mating cycles

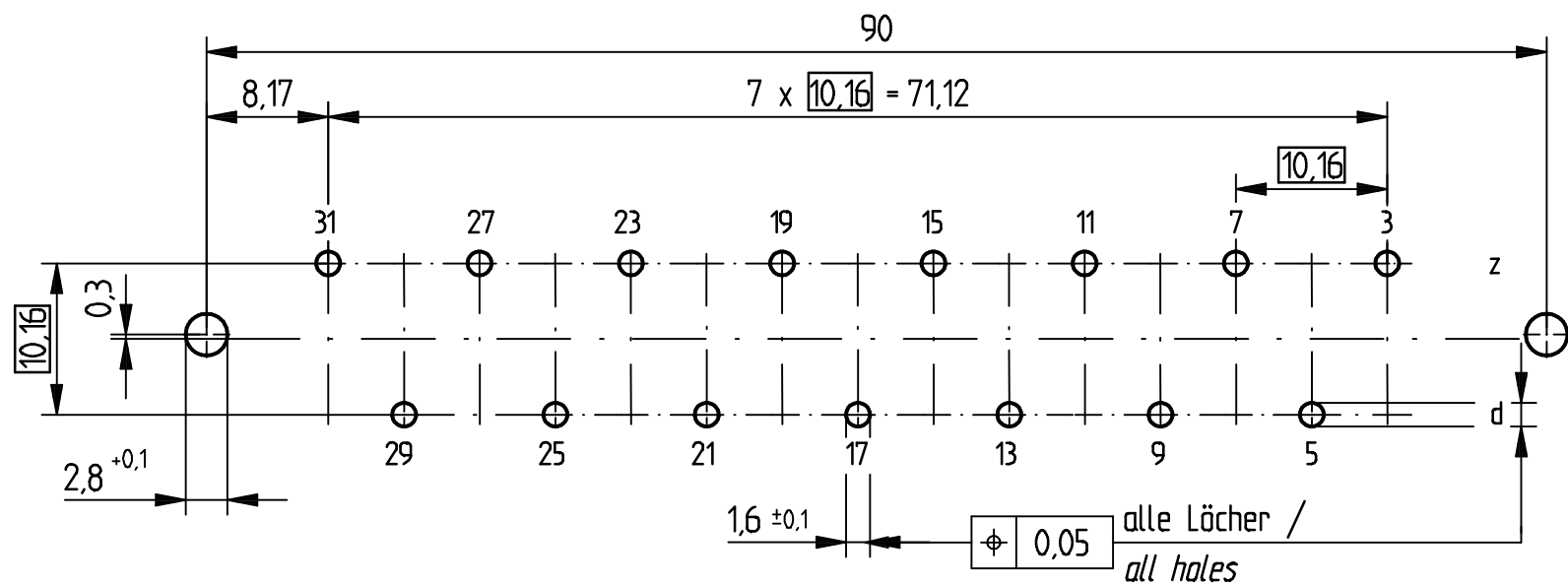
Fehlende Maße und Angaben gemäß IEC 60 603-2 / DIN EN 60 603-2

Missing information and dimensions according to IEC 60 603-2

Stecker beinhaltet keine Materialien nach DECA DBE

Connector does not contain DECA DBE materials

Leiterplatten-Lochbild / PCB drillhole pattern



Information:	Tolerances	 All Dimensions in mm	Scale	2:1
	All rights reserved. Only for information. To insure that this is the latest version of this drawing, please contact one of the ERNI companies before using.			
Consider protection memo from DIN 34 Subject to modification without prior notice. Drawing will not be updated.	www.ERNI.com		Designation <b>Federleiste H 15 Löt</b> <b>Fem. Connector H 15 Solder</b>	
	c Index	13.12.2010 Date	V:00070303.SZA	103900360001 K2
			STVH15	