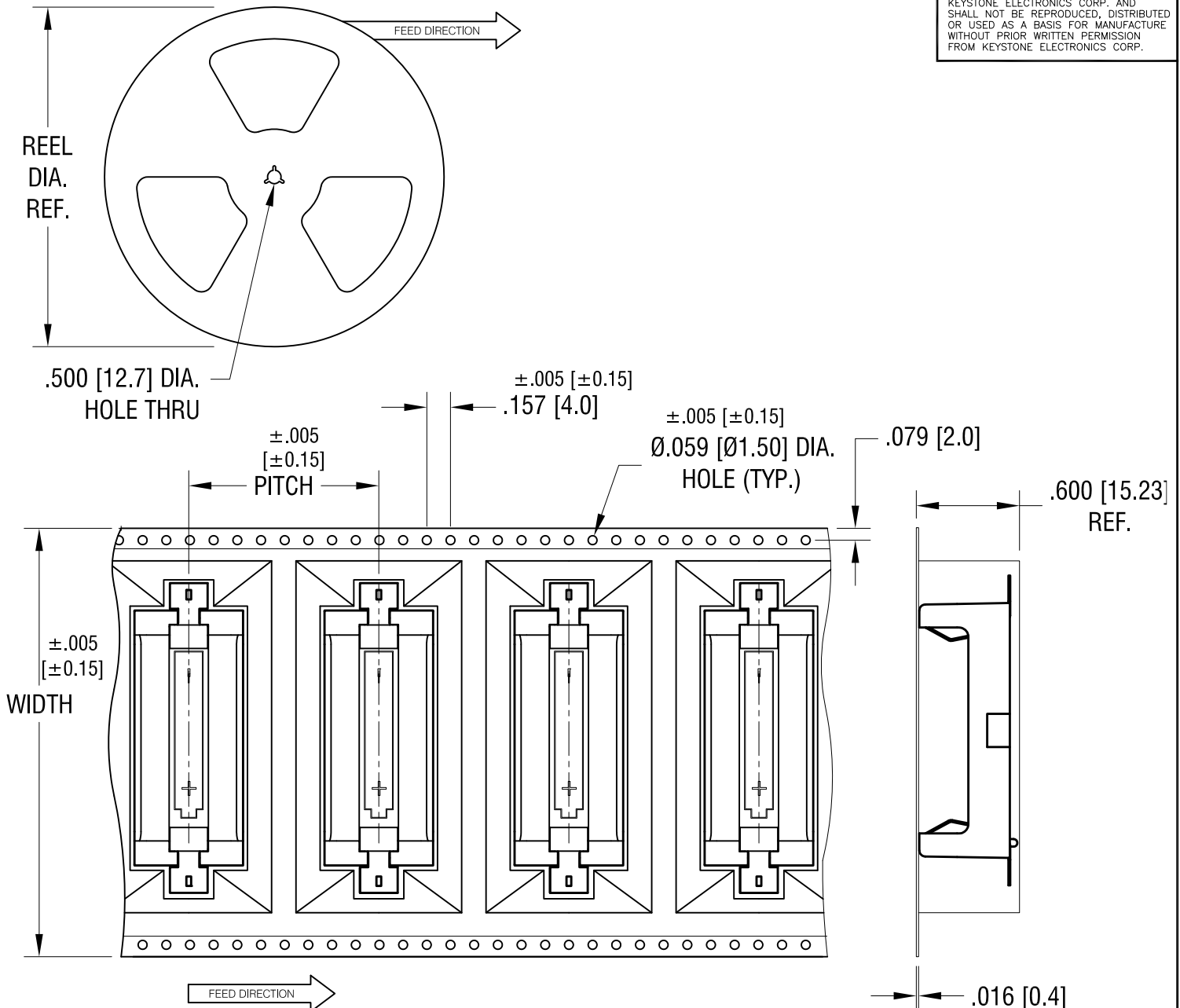


THIS DOCUMENT IS THE PROPERTY OF KEYSTONE ELECTRONICS CORP. AND SHALL NOT BE REPRODUCED, DISTRIBUTED OR USED AS A BASIS FOR MANUFACTURE WITHOUT PRIOR WRITTEN PERMISSION FROM KEYSTONE ELECTRONICS CORP.



NOTES:

TAPE AND REEL SPECIFICATIONS:

1. TAPE:  
 MAT'L - ALL CONDUCTIVE POLYSTYRENE CARRIER  
 ANSI/EIA-481 STANDARD  
 2.84 [72.0] WIDE; 1.26 [32.0] PITCH
2. REEL:  
 13.0 [330.2] DIA. 100 PIECES OF  
 PART NO. 1018 PER REEL.

<b>KEYSTONE ELECTRONICS CORP.</b>			
www.keyelco.com • ASTORIA, N.Y. 11105-2017 • Tel (718) 956-8900			
PART NAME			
SM BATTERY HOLDER 2/3A, ON TAPE			
MATERIAL			
AS NOTED			
FINISH		DRN BY	DATE
AS NOTED		NT	12.17.09
		APP'D	SCALE
		LN	X
TOLERANCES	INCH [MM]	CODE	DWG NO.
DECIMAL	$\pm .015 [\pm 0.38]$	C/M	<b>1018TR</b>
ANGULAR	$\pm 1^\circ$		
UNLESS OTHERWISE SPECIFIED			

DATE	DESCRIPTION	REV.