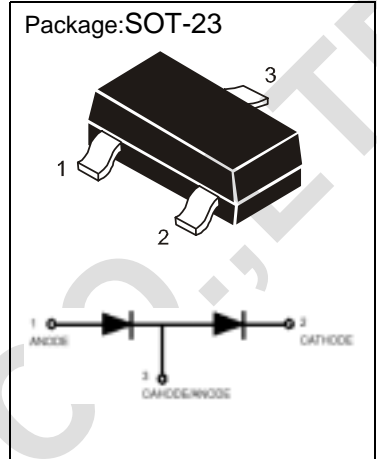


GENERAL-PURPOSE SIGNAL AND SWITCHING DIODE

ABSOLUTE MAXIMUM RATINGS at Ta=25°C

Characteristic	Symbol	Rating	Unit
Reverse Voltage	VR	100	Vdc
Forward Current	IF	200	mAdc
Total Device Dissipation FR-5 Board(Note) Derate above 25°C	PD	225	mW
		1.8	mW/°C
Junction Temperature	Tj	150	°C
Storage Temperature	Tstg	-55-150	°C

Note:FR-5=1.0 x 0.75 x 0.062in



ELECTRICAL CHARACTERISTICS at Ta=25°C

Characteristic	Symbol	Min	Max	Unit
Reverse Breakdown Voltage(IR=100uAdc)	V(BR)	100		Vdc
Reverse Voltage Leakage Current (VR=20Vdc)	IR		25	nAdc
(VR=75Vdc)			5.0	uAdc
Diode Capacitance(VR=0 f=1.0MHz)	CT		1.5	PF
Forward Voltage(IF=10mAdc)	VF		1.1	Vdc
Reverse Recovery Time(IF=IR=10mAdc)	Trr		4.0	nS

DEVICE MARKING:

SDS7000=M5C