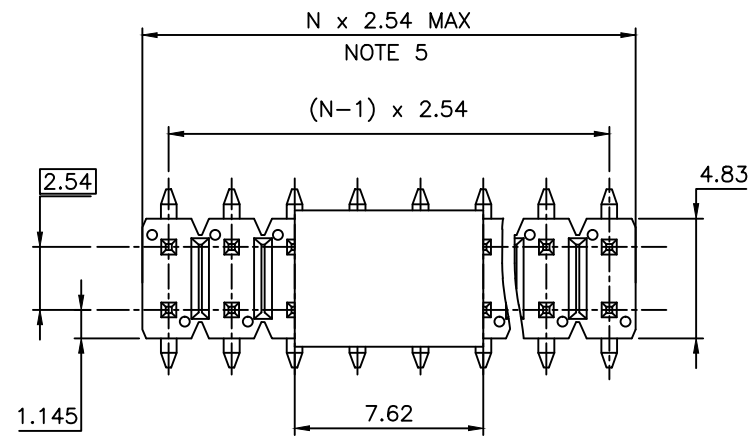


PRODUCT NUMBER 1 | 2 | 3 | 4 | 5 | 6

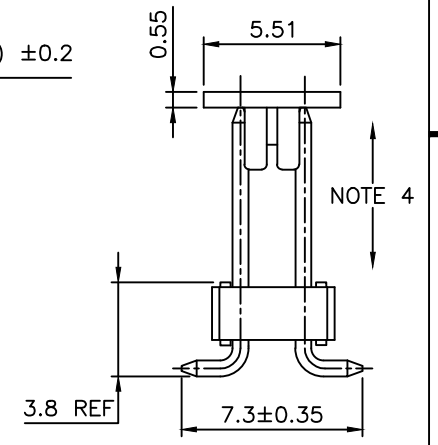
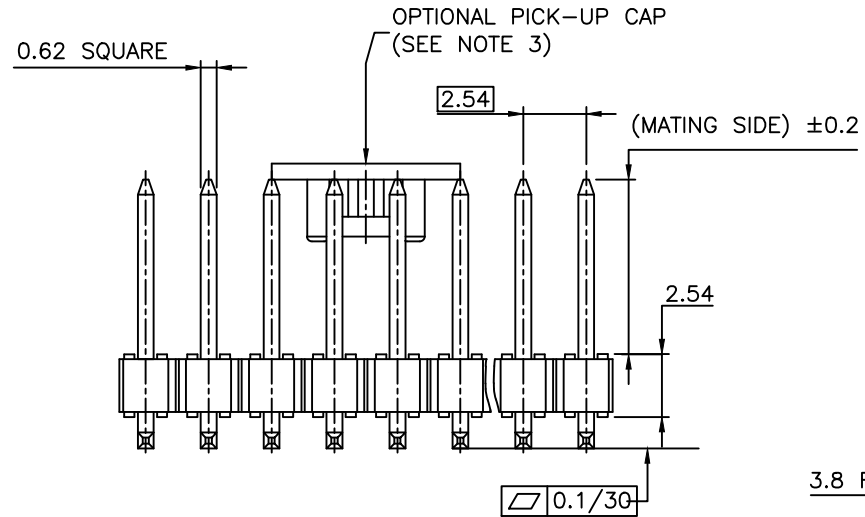
95278-YXX-XXLF

- RoHS COMPATIBLE, NOTE 6.
- TOTAL NB OF POSITIONS 04 TO 50
- PACKAGING OPTIONS, NOTE 3.
- PIN STYLE SEE SHEET 2
- PLATING SEE SHEET 2



NOTES:

1. HOUSING MAT'L : HIGH TEMPERATURE THERMOPLASTIC. UL94V-0 COLOR: BLACK
2. PIN MATERIAL : PHOSPHOR BRONZE
- 3 - PACKAGING OPTIONS:
  - = POLY BAGS
  - B = TUBE + CAP
  - A = TAPE & REEL WITH CAP, SEE TA840 FOR PRODUCT AVAILABILITY.
  - TR = CUSTOM TAPE & REEL WITH CAP, SEE TA840 ONLY FOR P/N 95278-102TR04LF AND P/N 95278-101TR10LF
4. 9N MIN RETENTION IN EITHER DIRECTION
5. TO DETERMINE DIMENSIONS :  
N = NUMBER OF POSITIONS PER ROW  
EXAMPLE : 8 POS N x 2.54 = 20.32mm
6. RoHS COMPATIBLE PRODUCT SPECIFICATIONS
  - a - PLATING:
    - "LF" MEANS THE PRODUCT IS LEAD-FREE, 2µm MINIMUM MATTE TIN OVER 1.27µm MINIMUM NICKEL UNDERPLATE.
  - b - MANUFACTURING PROCESS COMPATIBILITY
    - THE HOUSING WILL WITHSTAND EXPOSURE TO 260°C PEAK TEMPERATURE FOR 30 SECONDES IN A CONVECTION, INFRA-RED OR VAPOR PHASE REFLOW OVEN.
  - c - LABELING:
    - MEETS PACKAGING SPECS AS PER GS-14-920
  - d - LEGAL STATEMENT: SEE GS-47-0004



mat'l. code		surface		tolerance		projection		product family	
		ISO 1302		ISO 406 ISO 1101		mm		BERGSTIK	
lfr ecn no dr date		tolerances unless otherwise specified		angles		Linear		title	
N F08-0148 RTR 08.03.31				x.x ±0.3				UNSHR.HEADER	
P F08-0253 LMU 08.12.10				x.xx ±0.13				DR SMT	
R F10-0008 LMU 10.03.09				x.xxx ±0.05		scale 5:1		dwg no	
S B-18789 LMU 14.09.11 dr		D.LE		01.01.24		FCJ		sheet 1 of 2	
T B-18983 LMU 14.10.03 engr		JM.C		01.01.24				95278	
		chr		JM.C				A3	
		appd		JF.N				type	
								CUSTOMER Drawing	
sheet index		revision sheet		T R					
		1 2							

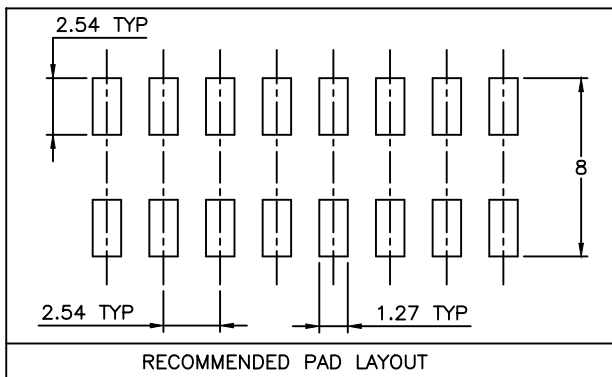


Copyright FCJ

PIN STYLE	MATING
01	5.9
02	8
03	9.9
04	11.4
05	9.2
06	10.4
07	5.3
09	17.00
10	8.10
11	8.50
12	3.05

PLATING

- 1 = 0.76µm GOLD/GXT ON CONTACT AREA, 2µm TIN MIN ON TAIL
- 4 = 2µm TIN MIN FULL PLATED
- 5 = 0.25µm GOLD/GXT ON CONTACT AREA, 2µm TIN MIN ON TAIL
- 8 = 0.38µm GOLD/GXT ON CONTACT AREA, 2µm TIN MIN ON TAIL
- 1.27µm NICKEL MIN UNDERLAYER FOR ALL PLATING VERSIONS



mat'l. code		surface		tolerance		projection		product family	
		ISO 1302 ✓		ISO 406 ISO 1101				BERGSTIK	
ltr	ecn no	dr	date	tolerances unless otherwise specified				title	
N	F08-0253	LMU	08.12.10	angles	linear	mm		UNSHR.HEADER	
P	B-18789	LMU	14.09.11			scale N/A		DR SMT	
R	B-18983	LMU	14.10.03					dwg no 95278 sheet 2 of - size A3	
		dr	D.LE	01.01.24				type CUSTOMER Drawing	
		enr	JM.C	01.01.24					
		chr	JM.C	01.01.24					
		appd	JF.N	01.01.24					
sheet index	revision sheet								

# Mouser Electronics

Authorized Distributor

Click to View Pricing, Inventory, Delivery & Lifecycle Information:

## FCI:

[95278-801-16LF](#) [95278-801-18LF](#) [95278-801-20LF](#) [95278-801-22LF](#) [95278-801-24LF](#) [95278-801-26LF](#) [95278-801-28LF](#) [95278-801-30LF](#) [95278-801-32LF](#) [95278-801-34LF](#) [95278-801-36LF](#) [95278-801-38LF](#) [95278-801-40LF](#) [95278-801A04LF](#) [95278-801A06LF](#) [95278-801A08LF](#) [95278-801A10LF](#) [95278-801A12LF](#) [95278-801A14LF](#) [95278-801A16LF](#) [95278-801A20LF](#) [95278-801A34LF](#) [95278-801B04LF](#) [95278-801B06LF](#) [95278-801B10LF](#) [95278-801B14LF](#) [95278-801B16LF](#) [95278-801B18LF](#) [95278-801B20LF](#) [95278-801B26LF](#) [95278-801B30LF](#) [95278-801B36LF](#) [95278-801B40LF](#) [95278-801B46LF](#) [95278-801B50LF](#) [95278-801T10LF](#) [95278-801T20LF](#) [95278-802-04LF](#) [95278-802-06LF](#) [95278-802-08LF](#) [95278-802-10LF](#) [95278-802-12LF](#) [95278-802-14LF](#) [95278-802-16LF](#) [95278-802-18LF](#) [95278-802-20LF](#) [95278-802-22LF](#) [95278-802-24LF](#) [95278-802-26LF](#) [95278-802-28LF](#) [95278-802-30LF](#) [95278-802-32LF](#) [95278-802-34LF](#) [95278-802-36LF](#) [95278-802-38LF](#) [95278-802-40LF](#) [95278-802A16LF](#) [95278-802B08LF](#) [95278-802B10LF](#) [95278-802B14LF](#) [95278-802B16LF](#) [95278-802B20LF](#) [95278-802B34LF](#) [95278-802T06LF](#) [95278-802T08LF](#) [95278-802T10LF](#) [95278-802T12LF](#) [95278-802T16LF](#) [95278-802T20LF](#) [95278-802T30LF](#) [95278-802T34LF](#) [95278-802T40LF](#) [95278-101-34LF](#) [95278-101-42LF](#) [95278-101-46LF](#) [95278-101-48LF](#) [95278-101A28LF](#) [95278-101A40LF](#) [95278-101A44LF](#) [95278-101B18LF](#) [95278-101B28LF](#) [95278-101B36LF](#) [95278-101B38LF](#) [95278-101B42LF](#) [95278-101B44LF](#) [95278-101B46LF](#) [95278-101B48LF](#) [95278-102-06LF](#) [95278-102-42LF](#) [95278-102-44LF](#) [95278-102-46LF](#) [95278-102-48LF](#) [95278-102A12LF](#) [95278-102A16LF](#) [95278-102A20LF](#) [95278-102A22LF](#) [95278-102B06LF](#) [95278-102B08LF](#) [95278-102B12LF](#) [95278-102B16LF](#)