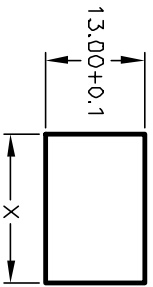
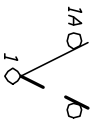


PANEL THICKNESS	X dimension
0.75-1.25 [0.30-.0491]	19.2-.01 [7.561]
1.25-2.0 [0.49-.079]	19.4-.01 [7.641]
2.0-3.0 [0.79-.118]	19.8-.01 [7.801]



PANEL CUTOUT
NOT TO SCALE

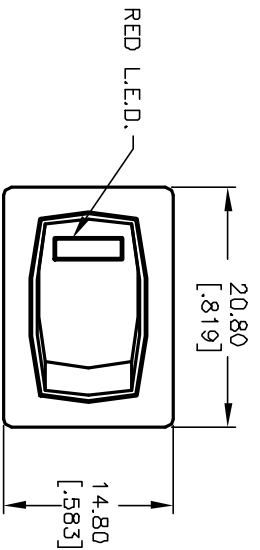
SWITCH FUNCTION	
PDS, 1	PDS, 2
DN	OFF
1-1a	DPEN



CIRCUIT: SPST

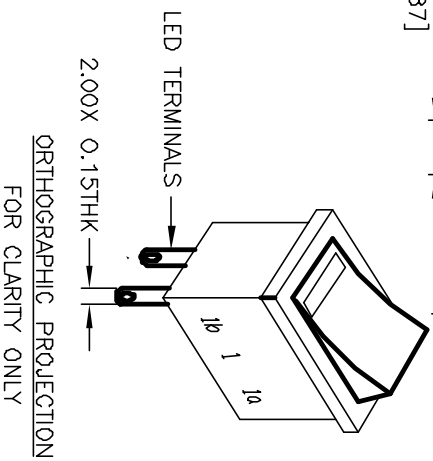
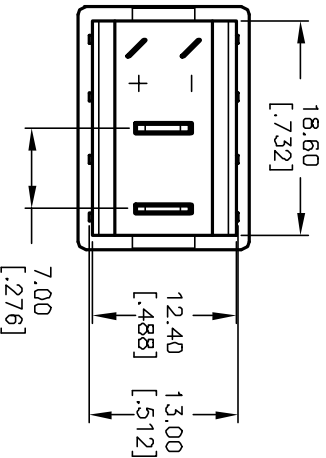
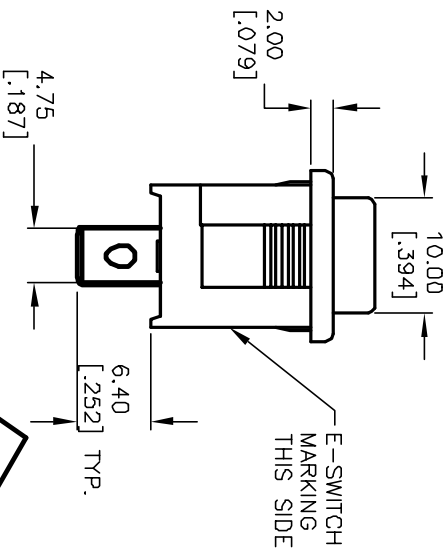
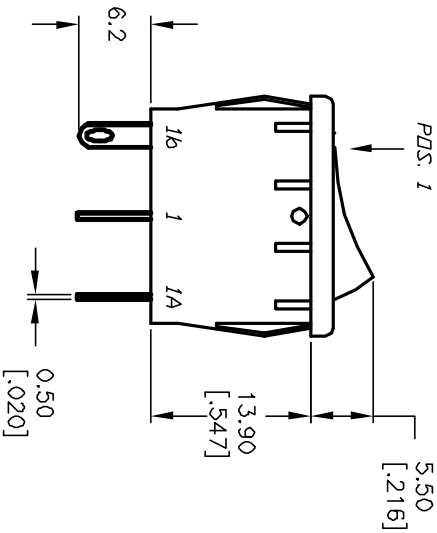
NOTES:

- ALL DIMENSIONS IN MM [INCH]
- GENERAL TOLERANCE: X.X=±0.4
X.XX=±0.25
- TERMINAL NUMBERS FOR REF ONLY
- RATING:
15A @125VAC; 8A @250V UL,VDE,CSA APPROVED
6A @250VAC
- MATERIALS: (TERMINALS) SILVER PLATED COPPER
(CONTACTS) COIN SILVER, SILVER PLATED.
- CONTACT RESISTANCE: <20 Mega
- ELECTRICAL LIFE: 10,000 cycles
- INSULATION RESISTANCE: >1000 Mega
- DIELECTRIC STRENGTH: >1500V 1 minute
>3000V between Poles
- OPERATING TEMP. RANGE: -25°C to +85°C



RED L.E.D

PARAMETERS	SYMBOL	MAX. TYP.	UNITS
POWER DISSIPATION	P _d	80	mW
AVE FORWARD CURRENT	I _{af}	--	mA
PEAK FORWARD CURRENT	I _{pf}	100	mA
REVERSE VOLTAGE	V _r	5	V
FORWARD VOLTAGE	V _f	2.1	V
REVERSE CURRENT	I _r	100	µA
EMISSION WAVELENGTH	λ _p	660	nm
LUMINOUS INTENSITY	I _v	30	mcd



ORTHOGRAPHIC PROJECTION
FOR CLARITY ONLY

E-SWITCH®

REV.	ECN No.	DESCRIPTION	DATE	CHKD	TITLE	SCALE	DATE	DR	DWG	REV
A	12393	RELEASED	8/29/02	CJB	R1966A BLK BLK E G RED	1.5:1	9/20/01	CB	M301119	A

THE INFORMATION CONTAINED IN THIS DOCUMENT IS PROPRIETARY TO E-SWITCH AND IS NOT TO BE COPIED OR TRANSFERRED