

DELTA ELECTRONICS, INC.  
 252, SHANG YING ROAD, KUEI SAN  
 TAOYUAN HSIEN 333, TAIWAN, R. O. C.

TEL : 886-(0)3-3591968  
 FAX : 886-(0)3-3591991

SPECIFICATION FOR APPROVAL  
 \*\*\*\*\*

Customer :

-----  
 Description : DC FAN  
 -----

Customer P/N : REV :

Delta Model NO. : AHB1548GHG  
 -----

Sample Rev. : 01 Issue NO. :

Sample Issue Date : MAY.19.2008 Quantity :  
 -----

1. SCOPE :

THIS SPECIFICATION DEFINES THE ELECTRICAL AND MECHANICAL CHARACTERISTICS OF THE DC BRUSHLESS AXIAL FLOW FAN.

2. CHARACTERS :

ITEM	DESCRIPTION
RATED VOLTAGE	48 VDC
OPERATION VOLTAGE	32.0 - 80.0 VDC
INPUT CURRENT	1.52 (MAX. 1.82) A
INPUT POWER	72.96 (MAX. 87.36) W
SPEED	5200 R.P.M. (REF.)
MAX. AIR FLOW (AT ZERO STATIC PRESSURE)	11.40 (MIN. 10.26) M <sup>3</sup> /MIN. 402.72 (MIN. 362.45) CFM
MAX. AIR PRESSURE (AT ZERO AIRFLOW)	49.88 (MIN. 40.40) mmH <sub>2</sub> O 1.964 (MIN. 1.591) inchH <sub>2</sub> O
ACOUSTICAL NOISE (AVG.)	68.5 (MAX. 72.5) dB-A
INSULATION TYPE	UL: CLASS A

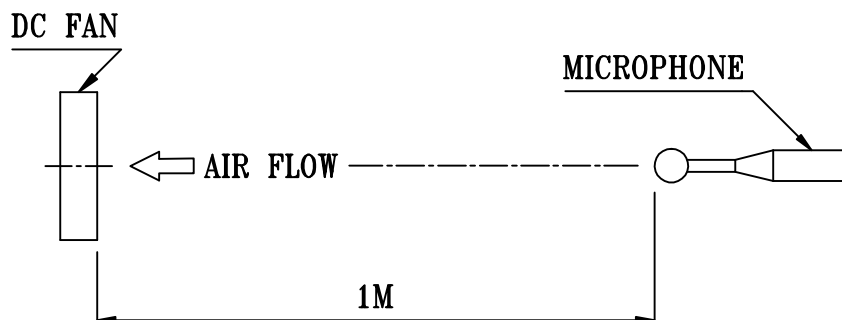
(continued)

PART NO. :

DELTA MODEL : AHB1548GHG

INSULATION STRENGTH	10 MEG OHM MIN. AT 500 VDC (BETWEEN FRAME AND (+) TERMINAL)
DIELECTRIC STRENGTH	5 mA MAX. AT 1000 VAC 50/60 Hz ONE MINUTE, (BETWEEN FRAME AND (+) TERMINAL)
EXTERNAL COVER	OPEN TYPE
LIFE EXPECTANCE	100,000 HOURS CONTINUOUS OPERATION AT 40 °C WITH 15 ~ 65 %RH.
ROTATION	COUNTER CLOCKWISE VIEW FROM NAME PLATE SIDE
OVER CURRENT SHUT DOWN	THE CURRENT WILL SHUT DOWN WHEN LOCKING ROTOR.
STARTING PROTECTION	START AT LOW SPEED , AFTER 15 SEC RUNNING AT FULL SPEED
LEAD WIRE	UL 1007 -F- AWG #24 BLACK WIRE NEGATIVE(-) RED WIRE POSITIVE(+)

- NOTES: 1. ALL READINGS ARE MEASURED AFTER STABLY WARMING UP THROUGH 10 MINUTES.  
2. THE VALUES WRITTEN IN PARENS , ( ), ARE LIMITED SPEC.  
3. ACOUSTICAL NOISE MEASURING CONDITION:



NOISE IS MEASURED AT RATED VOLTAGE IN FREE AIR IN ANECHOIC CHAMBER WITH B & K SOUND LEVEL METER WITH MICROPHONE AT A DISTANCE OF ONE METER FROM THE FAN INTAKE.

-----  
PART NO. :  
-----

DELTA MODEL :    AHB1548GHG  
-----

3. MECHANICAL :

- 3-1. DIMENSIONS ----- SEE DIMENSIONS DRAWING
- 3-2. FRAME ----- DIE-CAST ALUMINUM
- 3-3. IMPELLER ----- PLASTIC UL: 94V-0
- 3-4. BEARING SYSTEM ----- TWO BALL BEARINGS
- 3-5. WEIGHT ----- 800 GRAMS

4. ENVIRONMENTAL :

- 4-1. OPERATING TEMPERATURE ----- -40 TO +80 DEGREE C
- 4-2. STORAGE TEMPERATURE ----- -40 TO +85 DEGREE C
- 4-3. OPERATING HUMIDITY ----- 5 TO 90 % RH
- 4-4. STORAGE HUMIDITY ----- 5 TO 95 % RH

5. PROTECTION :

5-1. LOCKED ROTOR PROTECTION

IMPEDANCE OF MOTOR WINDING PROTECTS MOTOR FROM FIRE IN 96 HOURS OF LOCKED ROTOR CONDITION AT THE RATED VOLTAGE.

5-2. POLARITY PROTECTION

BE CAPABLE OF WITHSTANDING IF REVERSE CONNECTION FOR POSITIVE AND NEGATIVE LEADS.

6. RE OZONE DEPLETING SUBSTANCES

- 6-1. NO CONTAINING PBBs, PBBOs, CFCs, PBBEs, PBDPEs AND HCFCs.

7. PRODUCTION LOCATION

- 7-1. PRODUCTS WILL BE PRODUCED IN CHINA OR THAILAND OR TAIWAN

8. RESTRICTION OF THE USE CERTAIN OF HAZARDOUS SUBSTANCES IN ELECTRICAL AND ELECTRIC EQUIPMENT.

- 8-1 NO CONTAINING PB , CD , HG , CR 6+ , PBB , PBDE.

-----  
PART NO:  
-----

DELTA MODEL: AHB1548GHG  
-----

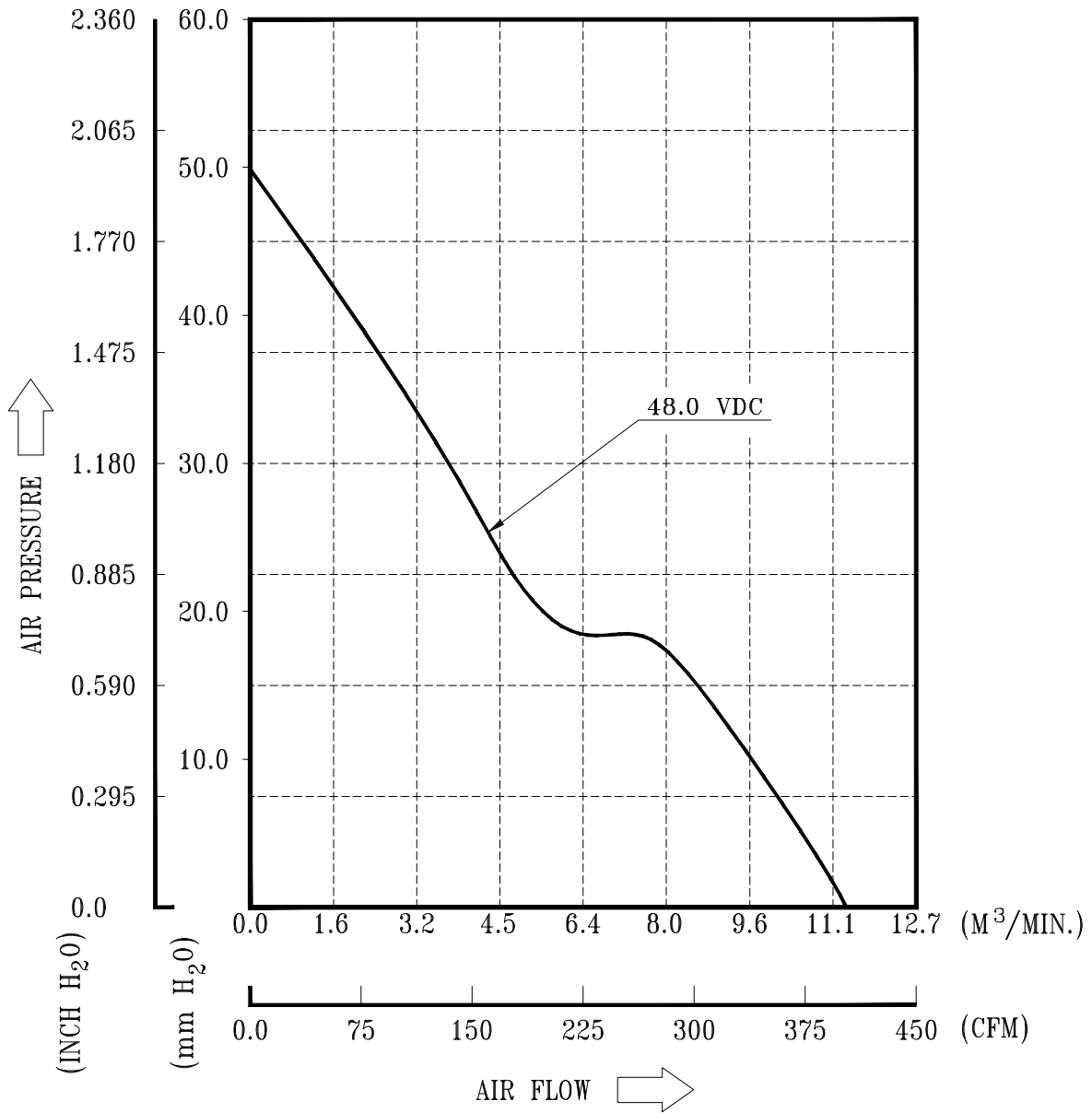
9. BASIC RELIABILITY REQUIREMENT :

- 9-1. THERMAL SHOCK      LOW TEMPERATURE: -40°C  
                                HIGH TEMPERATURE: +80°C  
                                SOAK TIME: 30 MINUTES  
                                TRANSITION TIME < 5 MINUTES  
                                DURATION TIME: 48 HOURS
  
- 9-2. HUMIDITY EXPOSURE      TEMPERATURE: 60°C  
                                HUMIDITY: 90-95% RH  
                                POWER: 3PCS IN OPERATING(RATED VOLTAGE)  
                                POWER: 3PCS IN NON-OPERATING  
                                DURATION: 10 DAYS
  
- 9-3. VIBRATION      SINEWAVE  
                                ORIENTATION: X, Y, Z  
                                POWER: NON-OPERATING  
                                FREQUENCY RANGE: 5 ~ 500Hz  
                                DISPLACEMENT AMPLITUDE: 0.75mm(OR 10G)  
                                NUMBER OF SWEEP CYCLES PER AXIS: 10  
                                TEST TIME: 2 HOURS ON EACH ORIENTATION
  
- 9-4. MECHANICAL SHOCK      POWER: NON-OPERATING  
                                ORIENTATION: 6 AXIS  
                                ACCELERATION: 100 G ; 6ms  
                                PULSE: HALF-SINE WAVE  
                                NUMBER OF SHOCKS: 3 SHOCKS  
  FOR EACH DIRECTION
  
- 9-5. LIFE      TEMPERATURE: MAX , OPERATING TEMPERATURE  
                                POWER: RATED VOLTAGE  
                                DURATION: TEST UNTIL REQUIRE TEST TIME  
  THAT CALCULATED BY FACTORY QE

-----  
PART NO. :  
-----

DELTA MODEL : AHB1548GHG  
-----

10. P & Q CURVE :



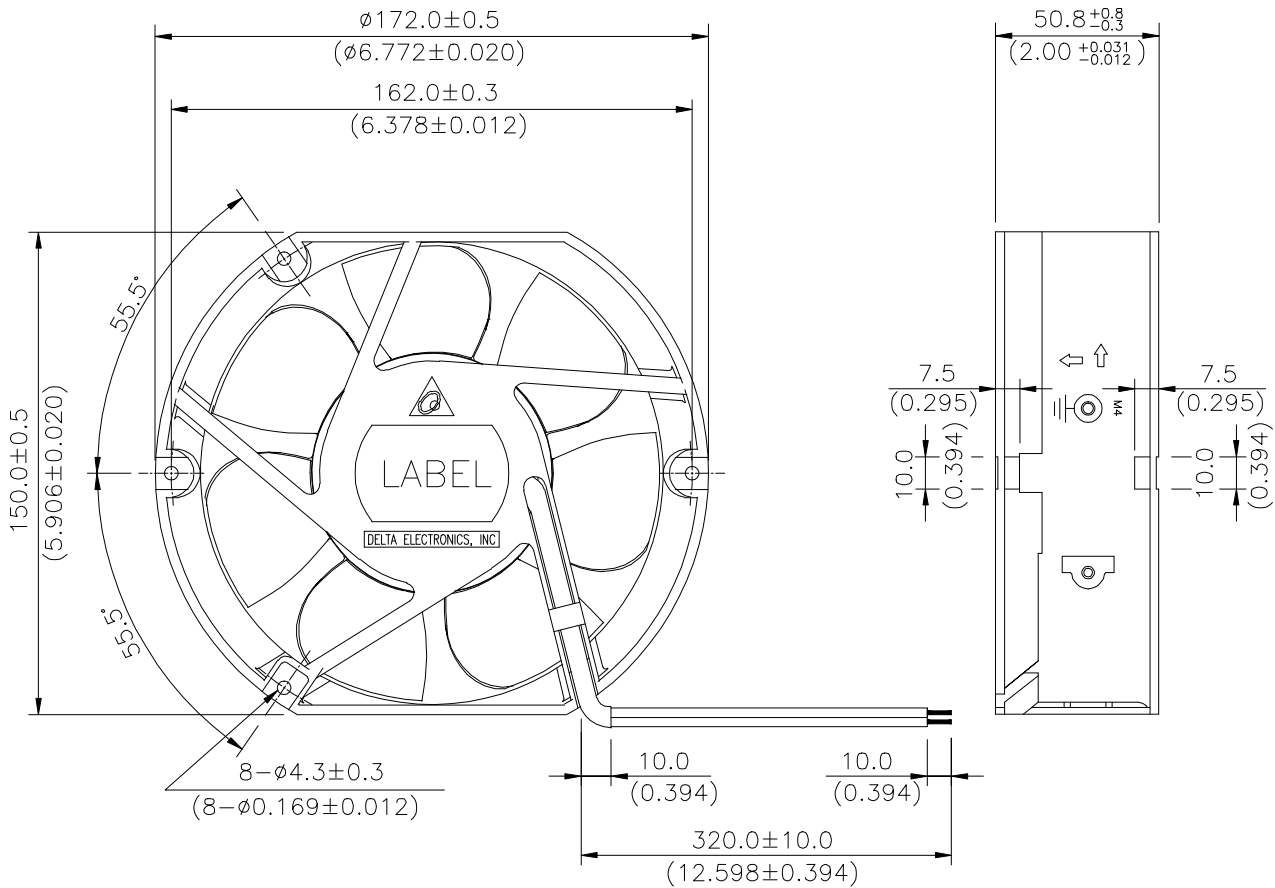
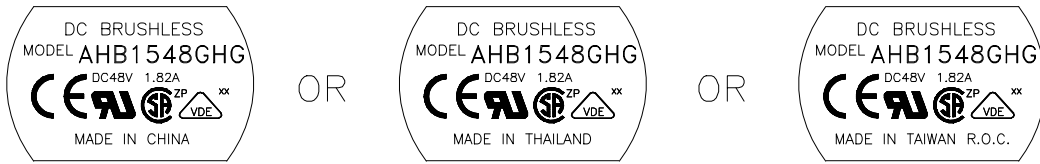
\* TEST CONDITION: INPUT VOLTAGE ----- OPERATION VOLTAGE  
TEMPERATURE ----- ROOM TEMPERATURE  
HUMIDITY ----- 65%RH

PART NO. :

DELTA MODEL : AHB1548GHG

11. DIMENSION DRAWING :

LABEL :



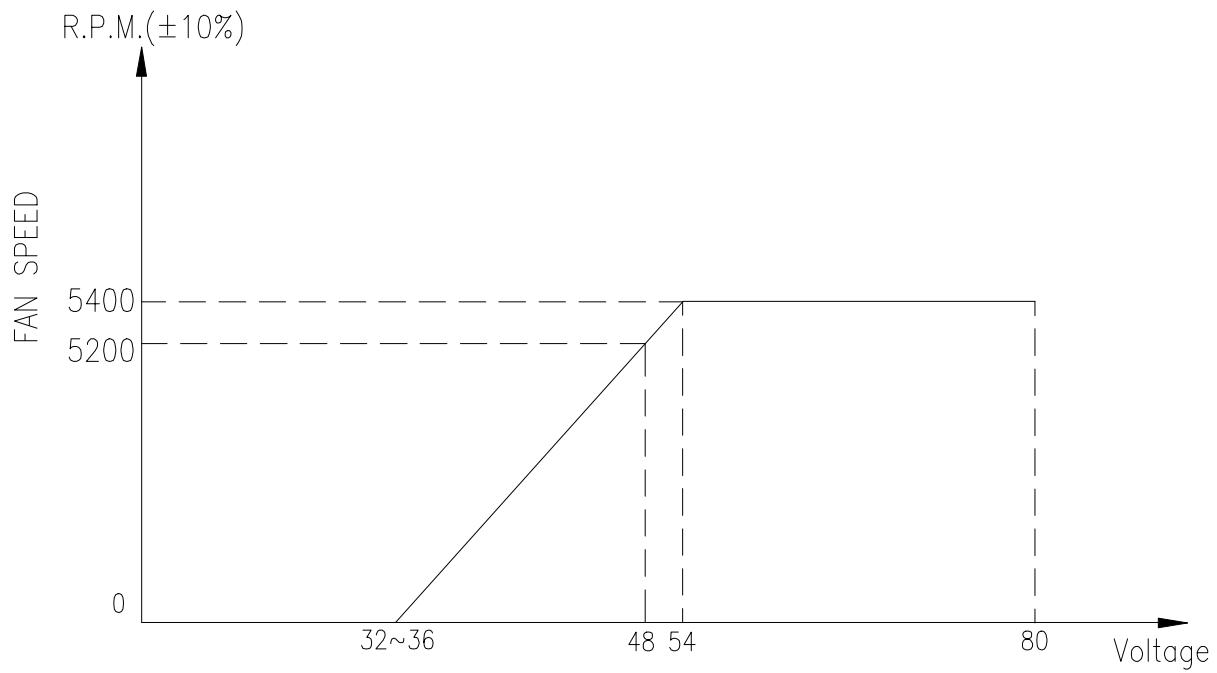
UL 1007 -F- AWG #24  
BLACK WIRE NEGATIVE(-)  
RED WIRE POSITIVE(+)

-----  
PART NO. :  
-----

DELTA MODEL : AHB1548GHG  
-----

12. 54~80V FAN SPEED KEEP IN 5400R.P.M

Hi-voltage speed limit:





## ***Application Notice***

- 1. Delta will not guarantee the performance of the products if the application condition falls outside the parameters set forth in the specification.**
- 2. A written request should be submitted to Delta prior to approval if deviation from this specification is required.**
- 3. Please exercise caution when handling fans. Damage may be caused when pressure is applied to the impeller, if the fans are handled by the lead wires, or if the fan was hard-dropped to the production floor.**
- 4. Except as pertains to some special designs, there is no guarantee that the products will be free from any such safety problems or failures as caused by the introduction of powder, droplets of water or encroachment of insect into the hub.**
- 5. The above-mentioned conditions are representative of some unique examples and viewed as the first point of reference prior to all other information.**
- 6. It is very important to establish the correct polarity before connecting the fan to the power source. Positive (+) and Negative (-). Damage may be caused to the fans if connection is with reverse polarity, if there is no foolproof method to protect against such error specifically mentioned in this spec.**
- 7. Delta fans without special protection are not suitable where any corrosive fluids are introduced to their environment.**
- 8. Please ensure all fans are stored according to the storage temperature limits specified. Do not store fans in a high humidity environment. We highly recommend performance testing is conducted before shipping, if the fans have been stored over 6 months.**
- 9. Not all fans are provided with the Lock Rotor Protection feature. If you impair the rotation of the impeller for the fans that do not have this function, the performance of those fans will lead to failure.**
- 10. Please be cautious when mounting the fan. Incorrect mounting of fans may cause excess resonance, vibration and subsequent noise.**
- 11. It is important to consider safety when testing the fans. A suitable fan guard should be fitted to the fan to guard against any potential for personal injury.**
- 12. Except where specifically stated, all tests are carried out at room (ambient) temperature and relative humidity conditions of 25°C, 65% RH. The test value is only for fan performance itself.**
- 13. Be certain to connect an “4.7µF or greater” capacitor to the fan externally when the application calls for using multiple fans in parallel, to avoid any unstable power.**