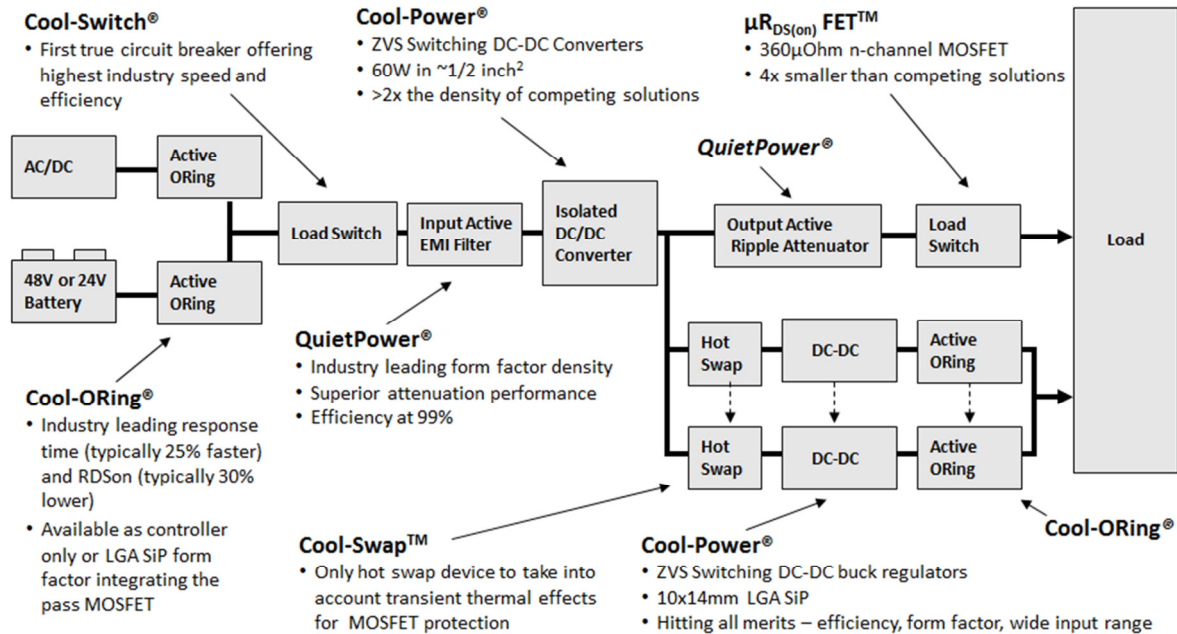
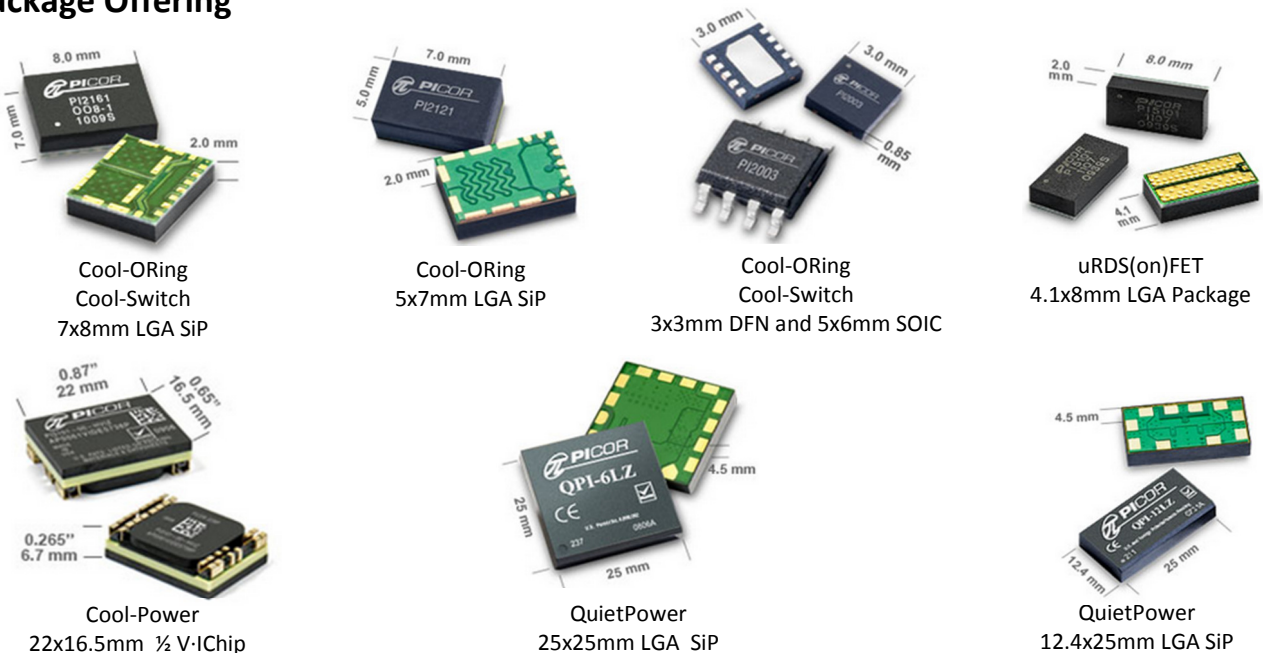


Picor, a Vicor company, provides highly integrated, silicon-centric power conversion and power management solutions. Picor's innovative product leadership is derived from high performance silicon integration, power architectures, and system level packaging. Picor's silicon-centric products complement Vicor's power technology and adhere to Vicor core strategy of innovation and performance. Picor products are marketed and sold via the Vicor sales channel.

Product Portfolio



Package Offering





Product Portfolio Information

<p>QuietPower® Active EMI Filters</p> <ul style="list-style-type: none"> - Leads the industry in density and size - Compatible to industry standard DC-DC converters - Both Input (QPI) and output (QPO) filters - Packaged in 25x25x4.5mm or 12.4x25x4.5mm LGA open and lidded <p>QuietPower® Output Filters - QPO</p> <ul style="list-style-type: none"> - Reduces power supply output ripple from 1kHz to to 500kHz - Can reduce output capacitance by a factor of 10 <table border="1"> <tr><td>QPO-1LZ</td><td>3-30V, 10A Output filter</td></tr> <tr><td>QPO-1LZ-01</td><td>3-30V, 10A Output Filter, Open Frame</td></tr> <tr><td>QPO-2LZ</td><td>0.3-5.5V, 20A Output Filter</td></tr> <tr><td>QPO-2LZ-01</td><td>0.3-5.5V, 20A Output Filter, Open Frame</td></tr> </table> <p>QuietPower® Input Filters - QPI</p> <ul style="list-style-type: none"> - Common-mode (CM) and differential-mode (DM) attenuation - Covers 150kHz to 30MHz (CISPR22 range) - Optimized for applications that require EN55022 Class B limits - Filters cover up to a 48V bus and up to 14A - QPI-21 is recently released and is Picor's best performing filter <table border="1"> <tr><td>QPI-3LZ</td><td>24V, 7A Input Filter</td></tr> <tr><td>QPI-3LZ-01</td><td>24V, 7A Input Filter, Open Frame</td></tr> <tr><td>QPI-4LZ</td><td>48V, 7A Input Filter</td></tr> <tr><td>QPI-4LZ-01</td><td>48V, 7A Input Filter, Open Frame</td></tr> <tr><td>QPI-5LZ</td><td>24V, 14A Input Filter</td></tr> <tr><td>QPI-5LZ-01</td><td>24V, 14A Input Filter, Open Frame</td></tr> <tr><td>QPI-6LZ</td><td>48V, 14A Input Filter</td></tr> <tr><td>QPI-6LZ-01</td><td>48V, 14A Input Filter, Open Frame</td></tr> <tr><td>QPI-7LZ</td><td>24V, 6A Input Filter w/Hot-Swap</td></tr> <tr><td>QPI-7LZ-01</td><td>24V, 6A Input Filter w/Hot-Swap, Open Frame</td></tr> <tr><td>QPI-8LZ</td><td>48V, 6A Input Filter w/Hot-Swap</td></tr> <tr><td>QPI-8LZ-01</td><td>48V, 6A Input Filter w/Hot-Swap, Open Frame</td></tr> <tr><td>QPI-21LZ</td><td>48V, 14A Input Filter</td></tr> <tr><td>QPI-21LZ-01</td><td>48V, 14A Input Filter, Open Frame</td></tr> </table> <p>QuietPower® V-I Chip Input Filters - QPI</p> <ul style="list-style-type: none"> - Optimized for use w/ V-I Chip PRM/VTM Converters <table border="1"> <tr><td>QPI-9LZ</td><td>24V, 6A V-I Chip optimized w/Hot-Swap</td></tr> <tr><td>QPI-9LZ-01</td><td>24V, 6A V-I Chip optimized w/Hot-Swap, Open Frame</td></tr> <tr><td>QPI-10LZ</td><td>48V, 6A V-I Chip optimized w/Hot-Swap</td></tr> <tr><td>QPI-10LZ-01</td><td>48V, 6A V-I Chip optimized w/Hot-Swap, Open Frame</td></tr> <tr><td>QPI-11LZ</td><td>24V, 7A V-I Chip optimized</td></tr> <tr><td>QPI-11LZ-01</td><td>24V, 7A V-I Chip optimized, Open Frame</td></tr> <tr><td>QPI-12LZ</td><td>48V, 7A V-I Chip optimized</td></tr> <tr><td>QPI-12LZ-01</td><td>48V, 7A V-I Chip optimized, Open Frame</td></tr> </table> <p>QuietPower® MIL-COTS Input Filter - MQPI</p> <ul style="list-style-type: none"> - Operation from -55°C to 125°C <table border="1"> <tr><td>MQPI-18LP</td><td>28V, 7A MIL-COTS Input Filter</td></tr> <tr><td>MQPI-18LP-01</td><td>28V, 7A MIL-COTS Input Filter, Open Frame</td></tr> </table>	QPO-1LZ	3-30V, 10A Output filter	QPO-1LZ-01	3-30V, 10A Output Filter, Open Frame	QPO-2LZ	0.3-5.5V, 20A Output Filter	QPO-2LZ-01	0.3-5.5V, 20A Output Filter, Open Frame	QPI-3LZ	24V, 7A Input Filter	QPI-3LZ-01	24V, 7A Input Filter, Open Frame	QPI-4LZ	48V, 7A Input Filter	QPI-4LZ-01	48V, 7A Input Filter, Open Frame	QPI-5LZ	24V, 14A Input Filter	QPI-5LZ-01	24V, 14A Input Filter, Open Frame	QPI-6LZ	48V, 14A Input Filter	QPI-6LZ-01	48V, 14A Input Filter, Open Frame	QPI-7LZ	24V, 6A Input Filter w/Hot-Swap	QPI-7LZ-01	24V, 6A Input Filter w/Hot-Swap, Open Frame	QPI-8LZ	48V, 6A Input Filter w/Hot-Swap	QPI-8LZ-01	48V, 6A Input Filter w/Hot-Swap, Open Frame	QPI-21LZ	48V, 14A Input Filter	QPI-21LZ-01	48V, 14A Input Filter, Open Frame	QPI-9LZ	24V, 6A V-I Chip optimized w/Hot-Swap	QPI-9LZ-01	24V, 6A V-I Chip optimized w/Hot-Swap, Open Frame	QPI-10LZ	48V, 6A V-I Chip optimized w/Hot-Swap	QPI-10LZ-01	48V, 6A V-I Chip optimized w/Hot-Swap, Open Frame	QPI-11LZ	24V, 7A V-I Chip optimized	QPI-11LZ-01	24V, 7A V-I Chip optimized, Open Frame	QPI-12LZ	48V, 7A V-I Chip optimized	QPI-12LZ-01	48V, 7A V-I Chip optimized, Open Frame	MQPI-18LP	28V, 7A MIL-COTS Input Filter	MQPI-18LP-01	28V, 7A MIL-COTS Input Filter, Open Frame	<p>Picor Power Path Management Products</p> <ul style="list-style-type: none"> - Lead industry in either efficiency/losses, speed, and/or density - PI2003/PI2207 common pair used for High/Low Oring applications - Newest family addition is Cool-Swap™ PI2211 <p>Cool-ORing® - High performance Active ORing solutions</p> <ul style="list-style-type: none"> - For high availability systems using redundant power architectures - Replaces common diode schemes w/ a more efficient solution - Packaged as controller only or Controller w/ MOSFET SIP solution - Extremely fast turn off at 80nS - SiPs offer extremely low losses with 8.5mOhm resistance (PI2127) <p>Cool-ORing® - Controllers</p> <table border="1"> <tr><td>PI2001-00-QEIG</td><td>ORing Controller, 5x6mm SOIC</td></tr> <tr><td>PI2001-00-SOIG</td><td>ORing Controller, 3x3mm DFN</td></tr> <tr><td>PI2002-00-QEIG</td><td>ORing Controller w/ Load Disconnect, 3x3mm DFN</td></tr> <tr><td>PI2002-00-SOIG</td><td>ORing Controller w/ Load Disconnect, 5x6mm SOIC</td></tr> <tr><td>PI2003-00-QEIG</td><td>Low-Side OR-ing Controller, 3x3mm DFN</td></tr> <tr><td>PI2003-00-SOIG</td><td>Low Side OR-ing Controller, 5x6mm SOIC</td></tr> <tr><td>PI2007-00-QEIG</td><td>High-Side OR-ing Controller, 3x3mm DFN</td></tr> </table> <p>Cool-ORing® - SiP Solutions</p> <table border="1"> <tr><td>PI2121-00-LGIZ</td><td>8V, 24A FULL-FUNCTION ACTIVE ORING SIP</td></tr> <tr><td>PI2122-00-LGIZ</td><td>FULL-FUNCTION ACTIVE ORING SIP w/ LOAD DISCONNECT</td></tr> <tr><td>PI2126-00-LGIZ</td><td>30V, 12A FULL-FUNCTION ACTIVE ORING SIP</td></tr> <tr><td>PI2127-01-LGIZ</td><td>60V, 12A FULL-FUNCTION ACTIVE ORING SIP</td></tr> </table> <p>Cool-Switch® - Electronic Circuit Breaker</p> <ul style="list-style-type: none"> - For high availability systems using redundant power architectures - Replaces common diode schemes w/ a more efficient solution - Packaged as controller only or controller w/ MOSFET SIP solution <table border="1"> <tr><td>PI2061-00-QEIG</td><td>Cool-Switch® Controller 7x8mm LGA SIP</td></tr> <tr><td>PI2161-01-LGIZ</td><td>60V, 12A Cool-Switch SiP Solution 3x3mm DFN</td></tr> </table> <p>µRDS(on)FET® - 360µOhm RDS(on) 5V, N-Channel MOSFET</p> <ul style="list-style-type: none"> - Industry leading performance - Enables practically lossless designs for high current routing - Packaged in 4.1 x 8 x 2mm LGA <table border="1"> <tr><td>PI5101-00-LGIZ</td><td>5V, 360 MICRO OHM N-CHANNEL MOSFET</td></tr> </table> <p>Cool-Swap™ - 12V Hot Swap Controller and Electronic Circuit Breaker</p> <ul style="list-style-type: none"> - Hot swap protection with Tru-SOA™ and GlitchCatcher Technology - Packaged in a 4x4x0.85mm 24-pin QFN <table border="1"> <tr><td>PI2211</td><td>12V Hot Swap Controller 24-pin QFN</td></tr> </table>	PI2001-00-QEIG	ORing Controller, 5x6mm SOIC	PI2001-00-SOIG	ORing Controller, 3x3mm DFN	PI2002-00-QEIG	ORing Controller w/ Load Disconnect, 3x3mm DFN	PI2002-00-SOIG	ORing Controller w/ Load Disconnect, 5x6mm SOIC	PI2003-00-QEIG	Low-Side OR-ing Controller, 3x3mm DFN	PI2003-00-SOIG	Low Side OR-ing Controller, 5x6mm SOIC	PI2007-00-QEIG	High-Side OR-ing Controller, 3x3mm DFN	PI2121-00-LGIZ	8V, 24A FULL-FUNCTION ACTIVE ORING SIP	PI2122-00-LGIZ	FULL-FUNCTION ACTIVE ORING SIP w/ LOAD DISCONNECT	PI2126-00-LGIZ	30V, 12A FULL-FUNCTION ACTIVE ORING SIP	PI2127-01-LGIZ	60V, 12A FULL-FUNCTION ACTIVE ORING SIP	PI2061-00-QEIG	Cool-Switch® Controller 7x8mm LGA SIP	PI2161-01-LGIZ	60V, 12A Cool-Switch SiP Solution 3x3mm DFN	PI5101-00-LGIZ	5V, 360 MICRO OHM N-CHANNEL MOSFET	PI2211	12V Hot Swap Controller 24-pin QFN	<p>Cool-Power® DC-DC ZVS Switching Converters</p> <ul style="list-style-type: none"> - ZVS core powered devices offering high Vin operating ranges - High density designs packaged in 10x14mm LGA SIP or 1/2V-IChip <p>Cool-Power® Isolated DC-DC ZVS Switching Converters</p> <ul style="list-style-type: none"> - Complete module solution (Controller + Transformer + FETs) - 2,250V isolation with safety approvals - 48Vin devices offer 100V for 100mS surge protection - All packaged 22x16.5x6.7mm ½ V-IChip package <table border="1"> <tr><td>PI3101-00-HVIZ</td><td>48V/3.3V 60W Isolated DC-DC Converter 1/2V-IChip</td></tr> <tr><td>PI3105-00-HVIZ</td><td>48V/12V 50W Isolated DC-DC Converter 1/2V-IChip</td></tr> <tr><td>PI3106-01-HVIZ</td><td>24V/12V 50W Isolated DC-DC Converter 1/2V-IChip</td></tr> <tr><td>PI3110-01-HVIZ</td><td>48V/18V 50W Isolated DC-DC Converter 1/2V-IChip</td></tr> </table> <p>Cool-Power® MIL-COTS Isolated DC-DC ZVS Switching Converters</p> <ul style="list-style-type: none"> - Operation from -55°C to 125°C <table border="1"> <tr><td>PI3106-00-HVMZ</td><td>24V/12V MILCOTS Isolated DC-DC Converter 1/2V-IChip</td></tr> </table> <p>Cool-Power® DC-DC ZVS Switching Buck Regulators</p> <ul style="list-style-type: none"> - High efficiency performance from 90 to 96% - Current output of 8A+ - Module design with controller + FETs and external inductor - All packaged in 10x14mm LGA SIP <table border="1"> <tr><td>PI3311</td><td>8-36Vin, 1.5Vout Set DC-DC Buck regulator 10x14 LGA SIP</td></tr> <tr><td>PI3312</td><td>8-36Vin, 2.5Vout Set DC-DC Buck regulator 10x14 LGA SIP</td></tr> <tr><td>PI3301</td><td>8-36Vin, 3.3Vout Set DC-DC Buck regulator 10x14 LGA SIP</td></tr> <tr><td>PI3302</td><td>8-36Vin, 5Vout Set DC-DC Buck regulator 10x14 LGA SIP</td></tr> <tr><td>PI3303</td><td>8-36Vin, 12Vout Set DC-DC Buck regulator 10x14 LGA SIP</td></tr> <tr><td>PI3305</td><td>8-36Vin, 15Vout Set DC-DC Buck regulator 10x14 LGA SIP</td></tr> </table>	PI3101-00-HVIZ	48V/3.3V 60W Isolated DC-DC Converter 1/2V-IChip	PI3105-00-HVIZ	48V/12V 50W Isolated DC-DC Converter 1/2V-IChip	PI3106-01-HVIZ	24V/12V 50W Isolated DC-DC Converter 1/2V-IChip	PI3110-01-HVIZ	48V/18V 50W Isolated DC-DC Converter 1/2V-IChip	PI3106-00-HVMZ	24V/12V MILCOTS Isolated DC-DC Converter 1/2V-IChip	PI3311	8-36Vin, 1.5Vout Set DC-DC Buck regulator 10x14 LGA SIP	PI3312	8-36Vin, 2.5Vout Set DC-DC Buck regulator 10x14 LGA SIP	PI3301	8-36Vin, 3.3Vout Set DC-DC Buck regulator 10x14 LGA SIP	PI3302	8-36Vin, 5Vout Set DC-DC Buck regulator 10x14 LGA SIP	PI3303	8-36Vin, 12Vout Set DC-DC Buck regulator 10x14 LGA SIP	PI3305	8-36Vin, 15Vout Set DC-DC Buck regulator 10x14 LGA SIP
QPO-1LZ	3-30V, 10A Output filter																																																																																																													
QPO-1LZ-01	3-30V, 10A Output Filter, Open Frame																																																																																																													
QPO-2LZ	0.3-5.5V, 20A Output Filter																																																																																																													
QPO-2LZ-01	0.3-5.5V, 20A Output Filter, Open Frame																																																																																																													
QPI-3LZ	24V, 7A Input Filter																																																																																																													
QPI-3LZ-01	24V, 7A Input Filter, Open Frame																																																																																																													
QPI-4LZ	48V, 7A Input Filter																																																																																																													
QPI-4LZ-01	48V, 7A Input Filter, Open Frame																																																																																																													
QPI-5LZ	24V, 14A Input Filter																																																																																																													
QPI-5LZ-01	24V, 14A Input Filter, Open Frame																																																																																																													
QPI-6LZ	48V, 14A Input Filter																																																																																																													
QPI-6LZ-01	48V, 14A Input Filter, Open Frame																																																																																																													
QPI-7LZ	24V, 6A Input Filter w/Hot-Swap																																																																																																													
QPI-7LZ-01	24V, 6A Input Filter w/Hot-Swap, Open Frame																																																																																																													
QPI-8LZ	48V, 6A Input Filter w/Hot-Swap																																																																																																													
QPI-8LZ-01	48V, 6A Input Filter w/Hot-Swap, Open Frame																																																																																																													
QPI-21LZ	48V, 14A Input Filter																																																																																																													
QPI-21LZ-01	48V, 14A Input Filter, Open Frame																																																																																																													
QPI-9LZ	24V, 6A V-I Chip optimized w/Hot-Swap																																																																																																													
QPI-9LZ-01	24V, 6A V-I Chip optimized w/Hot-Swap, Open Frame																																																																																																													
QPI-10LZ	48V, 6A V-I Chip optimized w/Hot-Swap																																																																																																													
QPI-10LZ-01	48V, 6A V-I Chip optimized w/Hot-Swap, Open Frame																																																																																																													
QPI-11LZ	24V, 7A V-I Chip optimized																																																																																																													
QPI-11LZ-01	24V, 7A V-I Chip optimized, Open Frame																																																																																																													
QPI-12LZ	48V, 7A V-I Chip optimized																																																																																																													
QPI-12LZ-01	48V, 7A V-I Chip optimized, Open Frame																																																																																																													
MQPI-18LP	28V, 7A MIL-COTS Input Filter																																																																																																													
MQPI-18LP-01	28V, 7A MIL-COTS Input Filter, Open Frame																																																																																																													
PI2001-00-QEIG	ORing Controller, 5x6mm SOIC																																																																																																													
PI2001-00-SOIG	ORing Controller, 3x3mm DFN																																																																																																													
PI2002-00-QEIG	ORing Controller w/ Load Disconnect, 3x3mm DFN																																																																																																													
PI2002-00-SOIG	ORing Controller w/ Load Disconnect, 5x6mm SOIC																																																																																																													
PI2003-00-QEIG	Low-Side OR-ing Controller, 3x3mm DFN																																																																																																													
PI2003-00-SOIG	Low Side OR-ing Controller, 5x6mm SOIC																																																																																																													
PI2007-00-QEIG	High-Side OR-ing Controller, 3x3mm DFN																																																																																																													
PI2121-00-LGIZ	8V, 24A FULL-FUNCTION ACTIVE ORING SIP																																																																																																													
PI2122-00-LGIZ	FULL-FUNCTION ACTIVE ORING SIP w/ LOAD DISCONNECT																																																																																																													
PI2126-00-LGIZ	30V, 12A FULL-FUNCTION ACTIVE ORING SIP																																																																																																													
PI2127-01-LGIZ	60V, 12A FULL-FUNCTION ACTIVE ORING SIP																																																																																																													
PI2061-00-QEIG	Cool-Switch® Controller 7x8mm LGA SIP																																																																																																													
PI2161-01-LGIZ	60V, 12A Cool-Switch SiP Solution 3x3mm DFN																																																																																																													
PI5101-00-LGIZ	5V, 360 MICRO OHM N-CHANNEL MOSFET																																																																																																													
PI2211	12V Hot Swap Controller 24-pin QFN																																																																																																													
PI3101-00-HVIZ	48V/3.3V 60W Isolated DC-DC Converter 1/2V-IChip																																																																																																													
PI3105-00-HVIZ	48V/12V 50W Isolated DC-DC Converter 1/2V-IChip																																																																																																													
PI3106-01-HVIZ	24V/12V 50W Isolated DC-DC Converter 1/2V-IChip																																																																																																													
PI3110-01-HVIZ	48V/18V 50W Isolated DC-DC Converter 1/2V-IChip																																																																																																													
PI3106-00-HVMZ	24V/12V MILCOTS Isolated DC-DC Converter 1/2V-IChip																																																																																																													
PI3311	8-36Vin, 1.5Vout Set DC-DC Buck regulator 10x14 LGA SIP																																																																																																													
PI3312	8-36Vin, 2.5Vout Set DC-DC Buck regulator 10x14 LGA SIP																																																																																																													
PI3301	8-36Vin, 3.3Vout Set DC-DC Buck regulator 10x14 LGA SIP																																																																																																													
PI3302	8-36Vin, 5Vout Set DC-DC Buck regulator 10x14 LGA SIP																																																																																																													
PI3303	8-36Vin, 12Vout Set DC-DC Buck regulator 10x14 LGA SIP																																																																																																													
PI3305	8-36Vin, 15Vout Set DC-DC Buck regulator 10x14 LGA SIP																																																																																																													