



MD5 PL 36 S80 D BK

SERIES

plastic hood with inner shell

SIZE

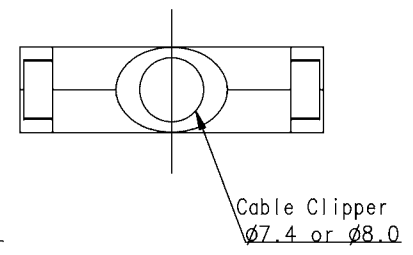
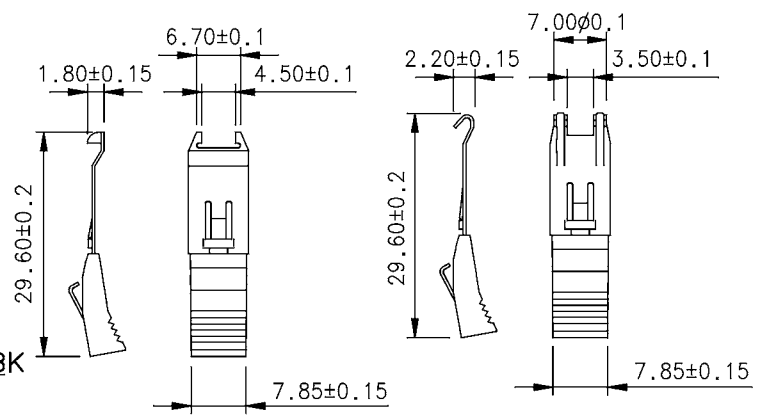
Entry and hole size :
S70 : straight entry dia. 7,00
S80 : straight entry dia. 8,00
S85 : straight entry dia. 8,50 (std)
S90 : straight entry dia. 9,00

Spring latches :

C : fish hook
D : flag hook

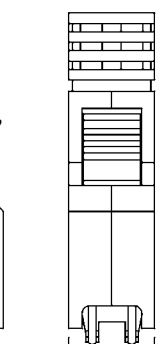
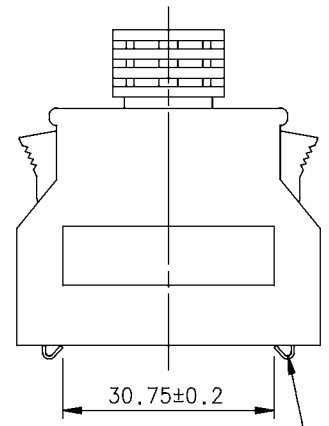
COLOUR

BK : black
IV : ivory
LG : light grey
DG : dark grey
GR : green
YE : yellow

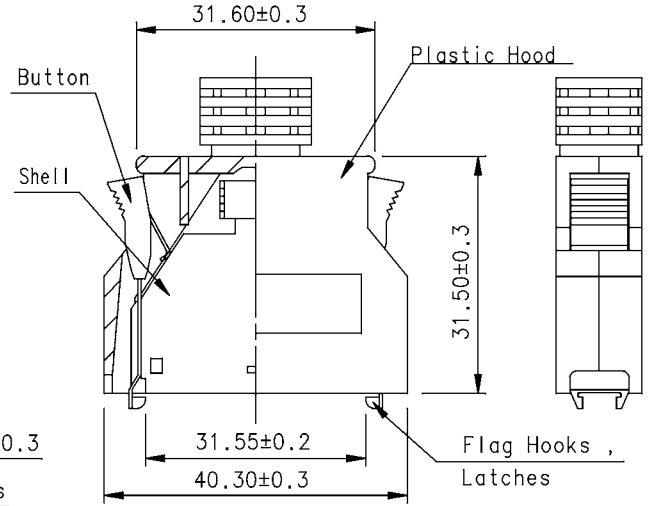


SS: Flag Hooks

LS: Fish Hooks



Fish Hooks , Latches

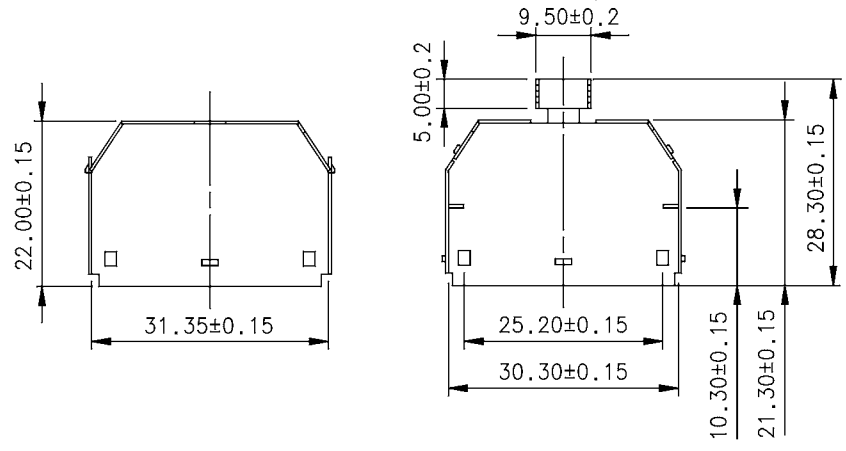


FEATURES:

- Plastic hood with spring latches
- Steel inner shell
- Full EMI/RFI shielded

MATERIALS:

- Hood: Plastic ABS PA-769
- Inner Shell: Steel , Nickel plated
- Latch: Phosphor bronze , Nickel plated
- Latch: Stainless steel



Amphenol Socapex		TOL. GEN.							
Usine de Dole		VOLUME PIECE							
		SURFACE PIECE							
		PROTECTION							
		TRAITEMENT							
		MATIERE							
ECH. 1,5	ENS.	DOSSIER		CLIENT	CREATION PLAN	ATO	30/05 2005	ATO	A
N SERIE				MODIFICATIONS	EXEC.	DATE	Approb	IND.	
DATE DU TIRAGE	DESIGNATION	MINI D SERIES		N INTERNE	MD5 PL 36				