



Micro Commercial Components



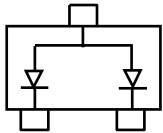
Micro Commercial Components
 20736 Marilla Street Chatsworth
 CA 91311
 Phone: (818) 701-4933
 Fax: (818) 701-4939

BAS21A/C/S

225mW 250Volt Switching Diode

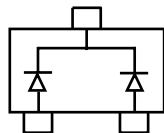
Features

- Lead Free Finish/RoHS Compliant ("P" Suffix designates RoHS Compliant. See ordering information)
- Epoxy meets UL 94 V-0 flammability rating
- Moisture Sensitivity Level 1
- Power dissipation: 225mW ($T_{amb}=25^{\circ}C$)
- Forward current: 200mA



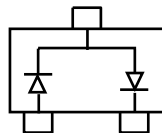
BAS21A

Marking: JS2



BAS21C

Marking: JS3



BAS21S

Marking: JS4

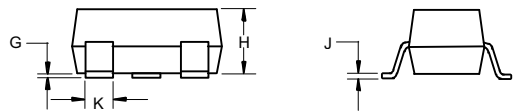
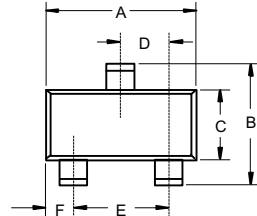
Maximum Ratings

- Operating Temperature: $-55^{\circ}C$ to $+150^{\circ}C$
- Storage Temperature: $-55^{\circ}C$ to $+150^{\circ}C$

Electrical Characteristics @ $25^{\circ}C$ Unless Otherwise Specified

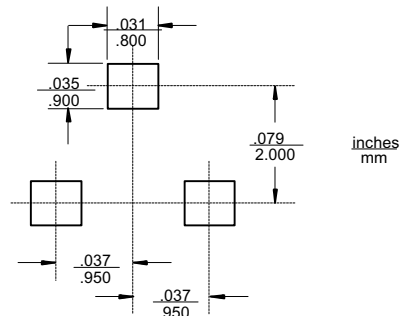
Reverse Breakdown Voltage	$V_{(BR)}$	250V	$I_R=100 \mu A$
Maximum Instantaneous Forward Voltage	V_F	1100mV	$I_{FM} = 100mA$; $T_J = 25^{\circ}C$
Non-Repetitive Peak Forward Surge Current	I_{FSM}	2.5 A 0.5 A	$t = 1.0 \mu s$ $t = 1.0 s$
Maximum DC Reverse Current At Rated DC Blocking Voltage	I_R	1 μA	$V_R=200Volts$; $T_J = 25^{\circ}C$
Diode Capacitance	C_D	5pF	Measured at 1.0MHz, $V_R=0V$
Reverse Recovery Time	T_{rr}	50nS	

SOT-23



DIM	INCHES		MM		NOTE
	MIN	MAX	MIN	MAX	
A	.110	.120	2.80	3.04	
B	.083	.098	2.10	2.64	
C	.047	.055	1.20	1.40	
D	.035	.041	.89	1.03	
E	.070	.081	1.78	2.05	
F	.018	.024	.45	.60	
G	.0005	.0039	.013	.100	
H	.035	.044	.89	1.12	
J	.003	.007	.085	.180	
K	.015	.020	.37	.51	

Suggested Solder Pad Layout





Micro Commercial Components

Ordering Information :

Device	Packing
Part Number-TP	Tape&Reel: 3Kpcs/Reel

*****IMPORTANT NOTICE*****

Micro Commercial Components Corp. reserves the right to make changes without further notice to any product herein to make corrections, modifications , enhancements , improvements , or other changes . **Micro Commercial Components Corp .** does not assume any liability arising out of the application or use of any product described herein; neither does it convey any license under its patent rights ,nor the rights of others . The user of products in such applications shall assume all risks of such use and will agree to hold **Micro Commercial Components Corp .** and all the companies whose products are represented on our website, harmless against all damages.

*****LIFE SUPPORT*****

MCC's products are not authorized for use as critical components in life support devices or systems without the express written approval of Micro Commercial Components Corporation.

*****CUSTOMER AWARENESS*****

Counterfeiting of semiconductor parts is a growing problem in the industry. Micro Commercial Components (MCC) is taking strong measures to protect ourselves and our customers from the proliferation of counterfeit parts. MCC strongly encourages customers to purchase MCC parts either directly from MCC or from Authorized MCC Distributors who are listed by country on our web page cited below. Products customers buy either from MCC directly or from Authorized MCC Distributors are genuine parts, have full traceability, meet MCC's quality standards for handling and storage. **MCC will not provide any warranty coverage or other assistance for parts bought from Unauthorized Sources.** MCC is committed to combat this global problem and encourage our customers to do their part in stopping this practice by buying direct or from authorized distributors.