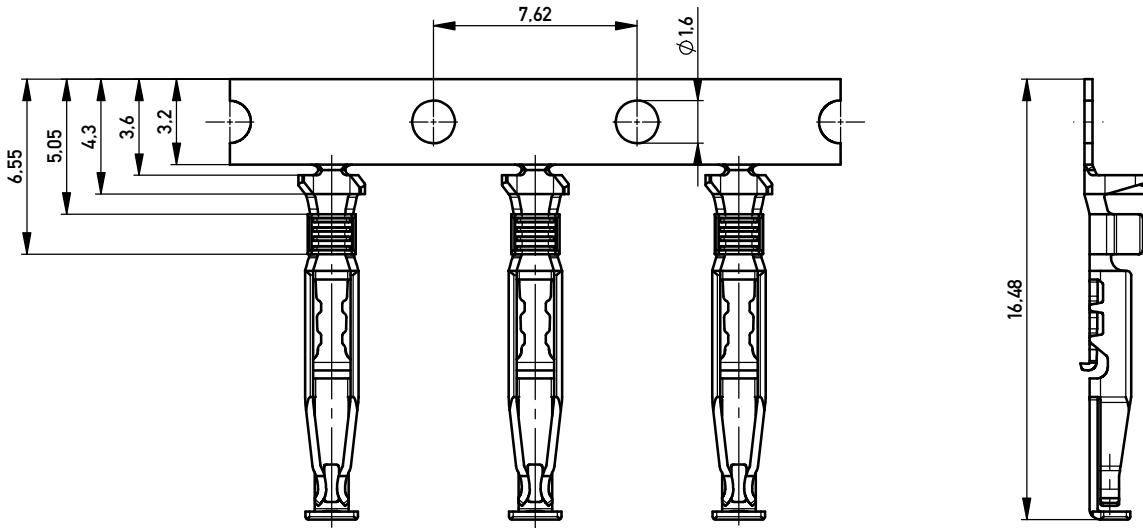
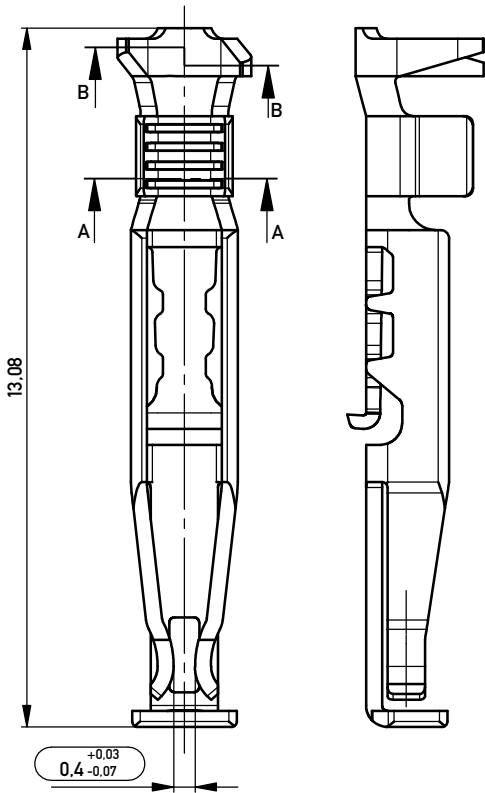


Federkontakte am Band
spring contact on carrier strip

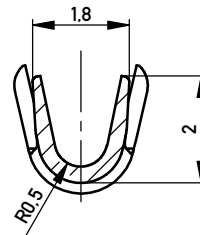


Federkontakt vereinzelt
spring contact isolated



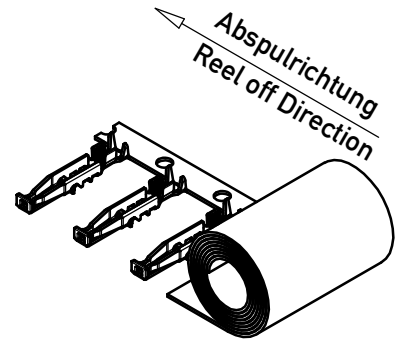
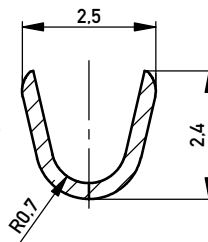
Schnitt A-A
cross section A-A
M 10:1

Drahtcrimp
wire crimp



Schnitt B-B
cross section B-B
M 10:1

Isolationscrimp
insulation crimp



| | | | | |
|---|-------------------|------------------------------------|----------------------------|---------------------|
| AWG 20-22 | 500 | Ø 130 | 137 | |
| Leiterquerschnitt wire cross section | Menge quantity | Spulendurchmesser reel diameter | Anforderungsstufe class | Bemerkung remark |

| | | | | | |
|--|--|---|--------------------------|--|---------|
| Copyright by ERNI GmbH Proprietary notice pursuant to ISO 16063 to be observed. | Information: | Tolerances | All Dimensions in mm | Scale | 2:1 |
| | All rights reserved. Only for Information. To ensure that this is the latest version of this drawing, please contact one of the ERNI companies before using. | Subject to modification without prior notice. Drawing will not be updated. | Designation | Federkontakte 2,54 SRC-A BA 2 Spring contact 2,54 SRC-A | |
| d Index | 16.03.2012 Date | | www.ERNI.com | 103302070001 | K A3 |
| Class | | | | SRCBUT | |