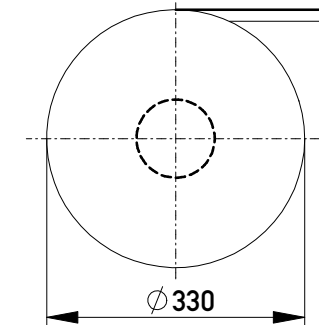
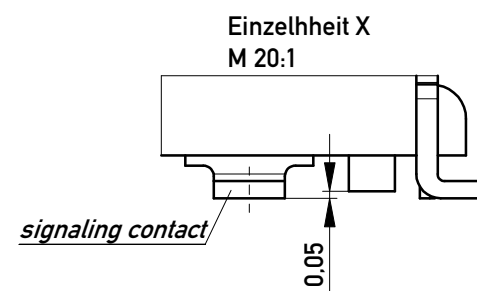
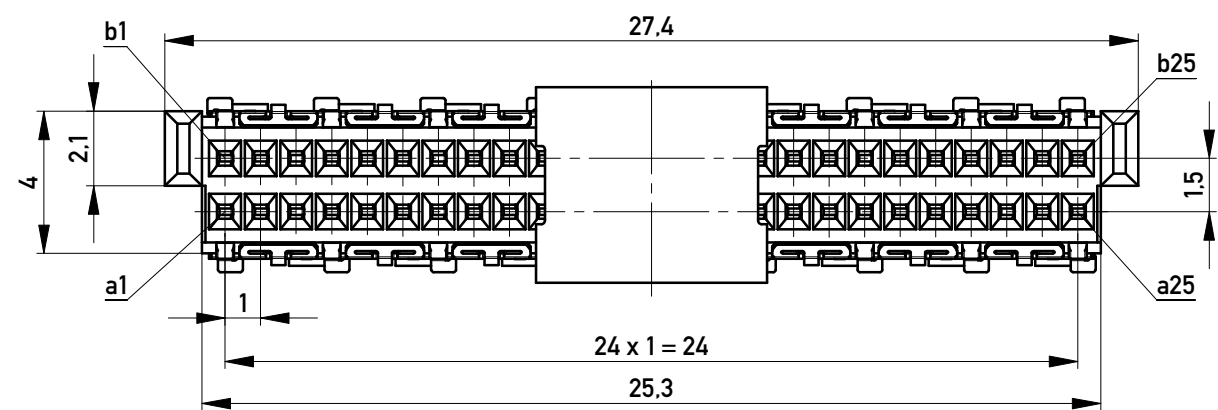
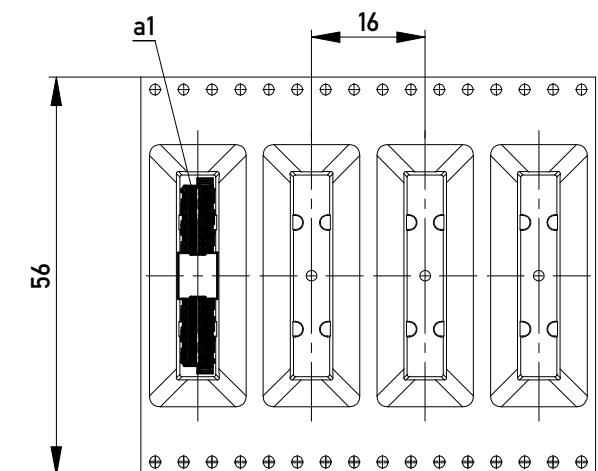


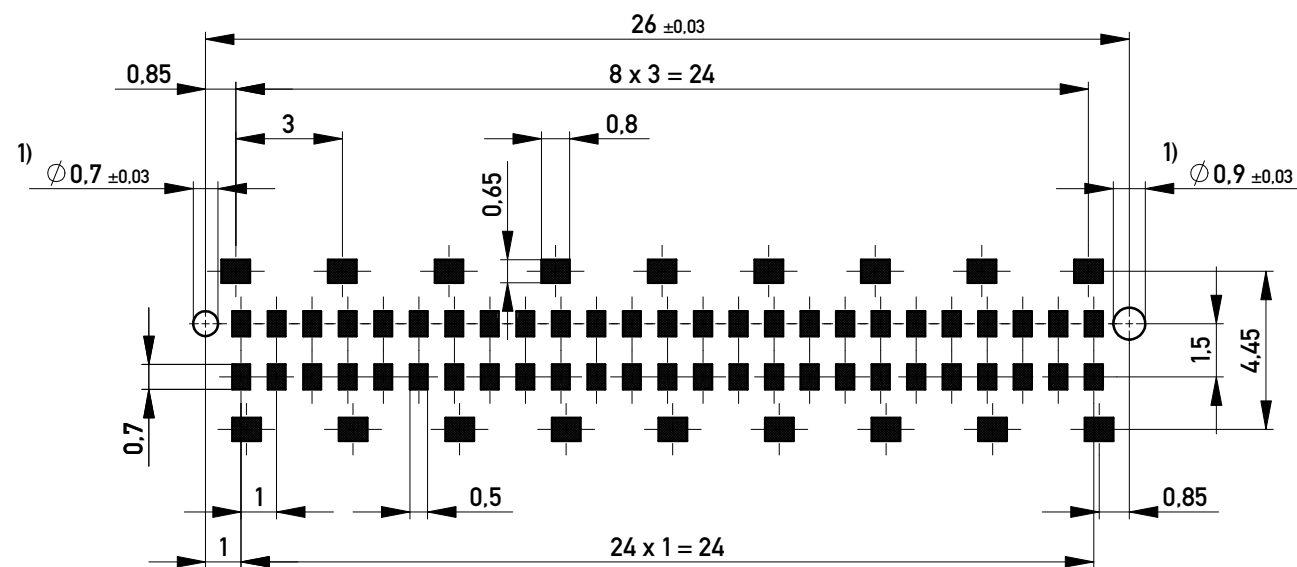
Verpackt in Gurtverpackung
Tape on Reel Packaging
Verpackungseinheit: 260 Stück
Packaging unit: 260 pcs



Abspulrichtung - Reel off Direction



Leiterplatten-Layout Vorschlag / PCB-layout proposal



1) Durchmesser des Bohrers / Drill tool

Anforderungsstufe 1
Performance Level 1

Kontaktbereich vergoldet
Mating Area gold plating

Anschlussbereich verzinkt 4-6 µm
Terminal Area 4-6 µm tin plating

Koplanarität der Anschlüsse ≤ 0,1 mm
Coplanarity Area of Termination ≤ 0,1 mm

Information:	Tolerances	 All Dimensions in mm	Scale	5:1
	All rights reserved. Only for Information. To ensure that this is the latest version of this drawing, please contact one of the ERNI companies before using.		Designation F10 MSpeed BlindMate 50 SMD	
Copyright by ERNI GmbH Proprietary notice pursuant to ISO 16016 to be observed.	 www.ERNI.com	101500560001		K A3
c	25.04.2013	Class		MSPEED
Index	Date			