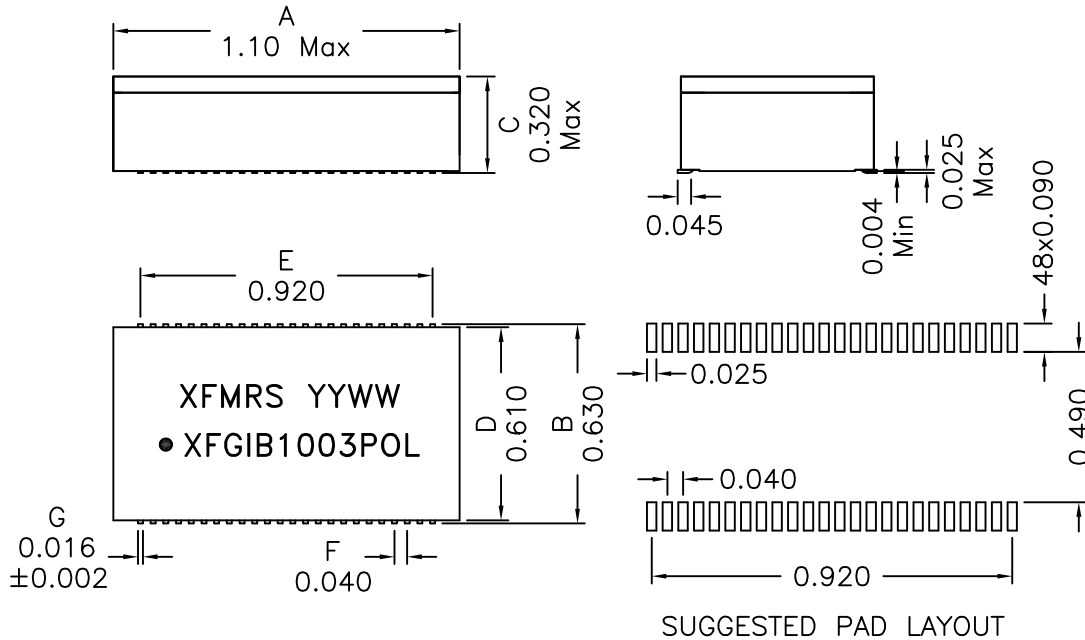
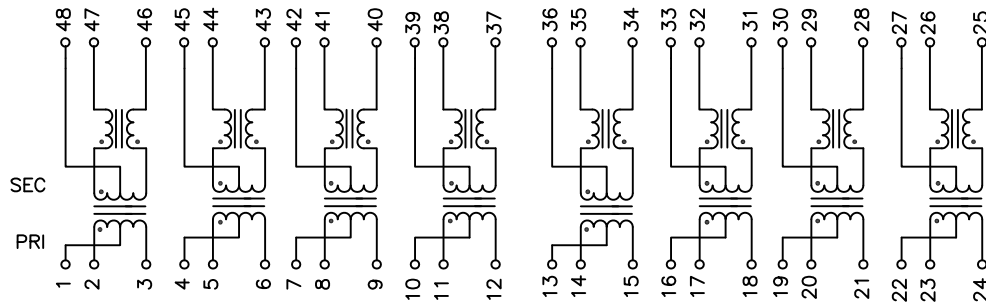


### 1. Mechanical Dimensions:



### 2. Schematic:



### 3. Electrical Specifications: @25°C

ISOLATION: 1500 Vrms Pri to Sec  
 TURNS RATIO: (PRI/SEC) 1CT:1CT ±2%  
 OCL: 350uH MIN @100KHz 100mV 8mADC  
 Q: 5 Min @10KHz 50mV  
 Rise Time: 1.75ns Max.  
 INSERTION LOSS: -1.0dB MAX  
 @1MHz-100MHz, 0/350mA DC through Auto-XFMRS  
 RETURN LOSS: -18dB Min @1-40MHz  
 -12dB Min @40-80MHz  
 -10dB Min @80-100MHz  
 Differential to Common Mode Rejection:  
 -40dB Min @30-60MHz  
 -35dB Min @60-100MHz  
 CMRR: -30dB Min @1-100MHz  
 Crosstalk: -45dB Min @30MHz  
 -40dB Min @60MHz -35dB Min @100MHz  
 Rated Current: Pins 48,45,42,39,36,33,30,27  
 800mA Max @57Vdc continuous  
 1200mA Max @57Vdc for 200milliseconds

**Notes:**

1. Solderability: Leads shall meet MIL-STD-202G, Method 208H for solderability.
2. Flammability: UL94V-0
3. ASTM oxygen index: > 28%
4. Insulation System: Class F 155°C. UL file E151556
5. Operating Temperature Range: All listed parameters are to be within tolerance from -40°C to +85°C
6. Storage Temperature Range: -55°C to +125°C
7. Aqueous wash compatible
8. SMD Lead Coplanarity: ±0.004"(0.102mm)
9. Electrical and mechanical specifications 100% tested
10. RoHS Compliant Component
11. Recommended IR Reflow peak temp of 250C Max.

DOC. REV: B/1

<b>XFMRS Inc</b> www.XFMRS.com	Title: <b>1000BASE-T Module</b>		
	UNLESS OTHERWISE SPECIFIED TOLERANCES: .xxx ±0.010 Dimensions in INCH		P/N: XFGIB1003POL DWN. CHK. APP.
SHEET 1 OF 1		Oct-11-13 Oct-11-13 Oct-11-13	Oct-11-13