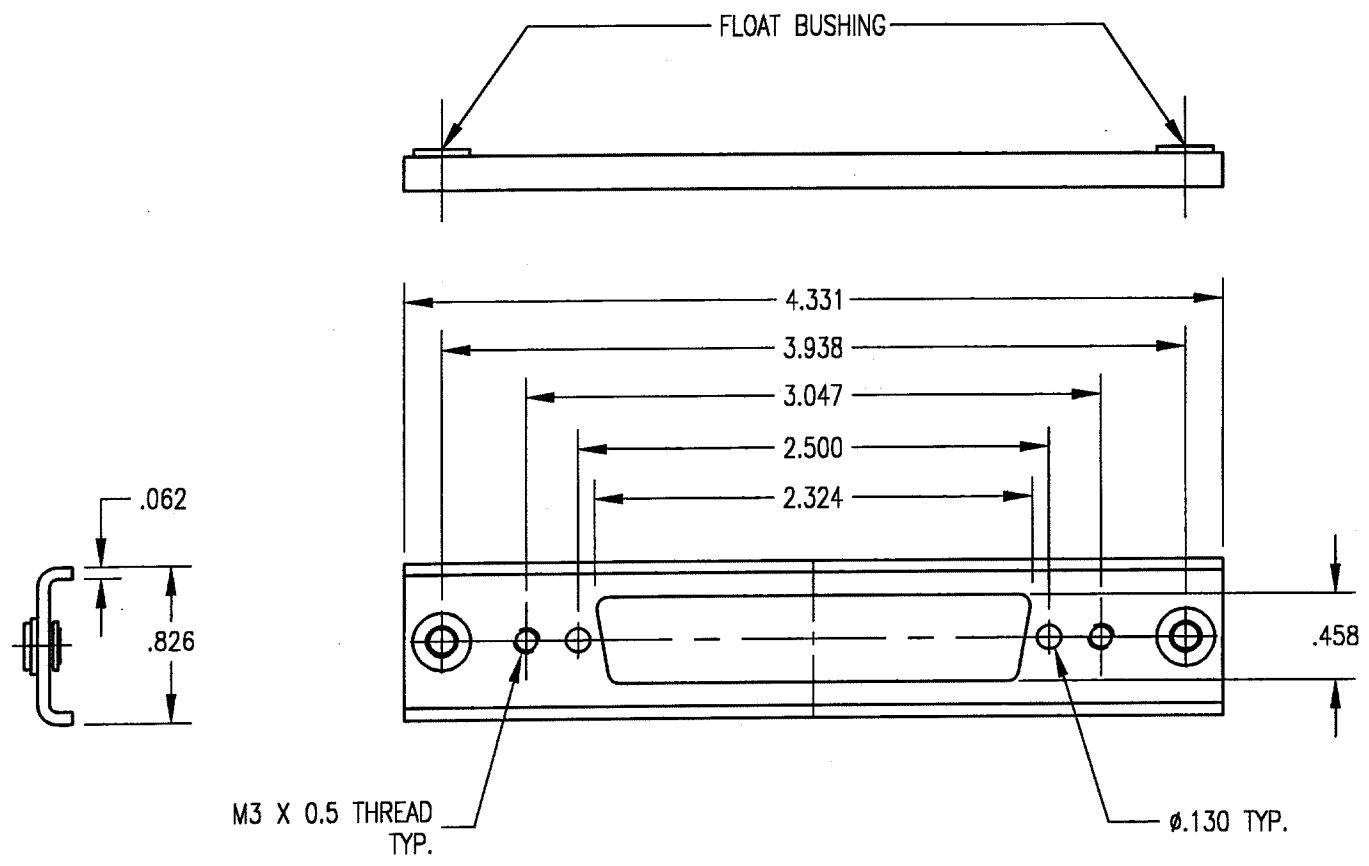


DWS. NO.		RM200C-9	
REV	DESCRIPTION	BY	APPRO
F	ECR 6167	JED	JED
		2/21/00	



- NOTES:
- MATERIAL:  
GUIDE PLATE AND WASHER: COLD ROLLED STEEL PER ASTM A620  
FLOAT BUSHING: BRASS PER ASTM B16
  - FINISH:  
ALL METAL PARTS: YELLOW CHROMATE OVER .0002 MIN. ZINC PER ASTM B633

PER ASME Y14.5M-1994 UNLESS OTHERWISE SPECIFIED: DIMENSIONS ARE IN INCHES (MM)		<b>Litton</b>	
TOLERANCES: DECIMALS .XX ± .01/0.254 XXX ± .005/0.127 ANGLES ± 2°		Winchester/Retconn 400 Park Road Middletown, Connecticut 06765	
SCALE: 1:1		TITLE	
<b>CUSTOMER DRAWING</b>		FLOAT PLATE ASSEMBLY	
DRAWN EJW	DATE 9/7/99	CHECKED JED	DATE 9/7/99
APPROVED JED	DATE 9/7/99	APPROVED C/CA	DATE 9/7/99
A		RM200C-9	SHT. OF REV. 1 1 F