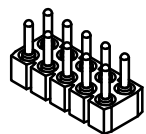
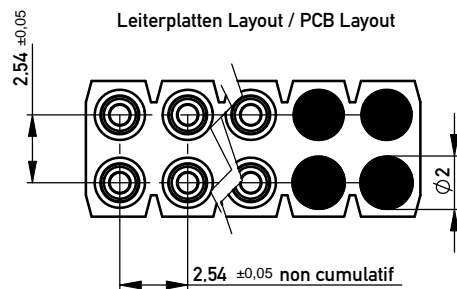
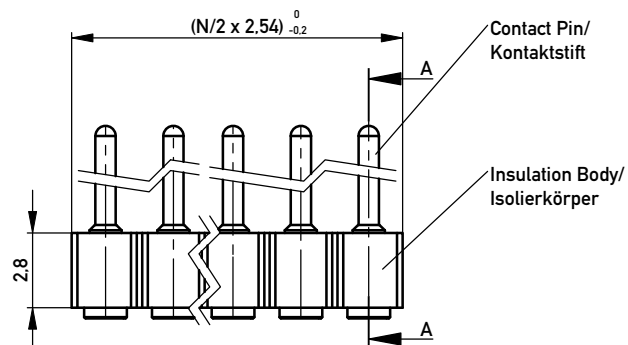
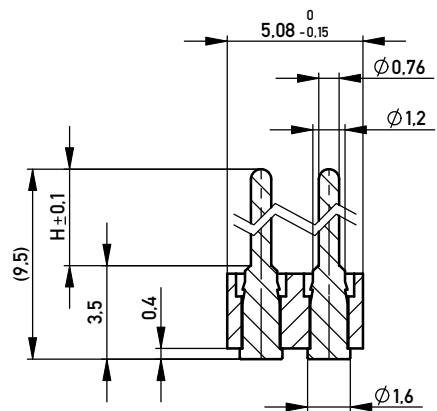


SCHNITT A-A
Sectional view A-A



Example
10 Pin version

Tech. Data:

Isolierkörper / Insulation Body:
Farbe / Colour:
Brennbarkeit / Flammability:

PCT-GF30-FR
schwarz / black
UL 94V-0

Kontaktstift / Contact Pin
Galvanik / Plating

CuZn36Pb3
0,25µm Au (entire contact)

Koplanarität / Coplanarity:

max. 0,1 mm
(measured on 25 mm long connectors)

Lebensdauer / Mechanical life:

min. 500 Zyklen / cycles

Strombelastbarkeit / Rated current:

3 A

Durchschlagfestigkeit / Dielectric strength:

min. 1000 V_{RMS}

100401430001	30	6	Schüttgut Bulk	MOQ required
Ident-Nr. Part-No.	Polzahl No. of contacts	Höhe H Height H	Verpackung Packing	Bemerkung Remark

Information:	Tolerances	All Dimensions in mm	Scale 5:1
All rights reserved. Only for Information. To ensure that this is the latest version of this drawing, please contact one of the ERNI companies before using.	Subject to modification without prior notice. Drawing will not be updated.	Designation	
		Stiftleiste (SMD) Pin header (SMD)	
	www.ERNI.com	100401430001	
Index	Date 28.03.2011	Class	STLHW
			K A3

Copyright by ERNI GmbH. Proprietary notice pursuant to ISO 16016 to be observed.