

R2A30428BM/R2A30428BX

R19DS0061EJ0100
Rev.1.00
May 10, 2012

6-Channel Motor Driver ICs for DSC, DVC and Surveillance Cameras

Overview

The R2A30428BM is a semiconductor integrated circuit that incorporates driver circuits suitable for motor of digital cameras

Features

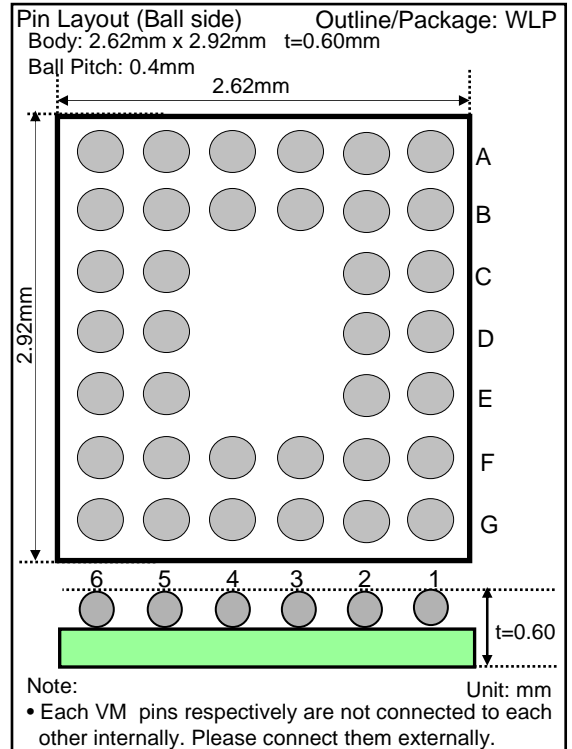
- An ultra-fine CMOS process has been adopted for low power consumption in a design with no charge-pump.
- A small 36-pin WLP package (ball pitch of 0.4mm/t=0.60mm) has been adopted.
- 1ch/2ch and 3ch/4ch are capable of 2-2 phase stepper drive, 1-2 phase (100%) stepper drive, 128, 256 and 512 resolution micro-steps.
- 3ch/4ch is capable of constant voltage drive.
- 5ch/6ch is capable of constant current drive.
- By using exclusive control mode on 5ch and 6ch, it resembles 7ch drive.
- Built-in 3 PI drivers channels.
- Built-in 3 Schmitt buffers channels.
- Built-in low-voltage malfunction prevention and thermal shutdown circuit.
- Power supplies VCC and VM are internally isolated and include a function to prevent reverse current between the power supplies.

Application

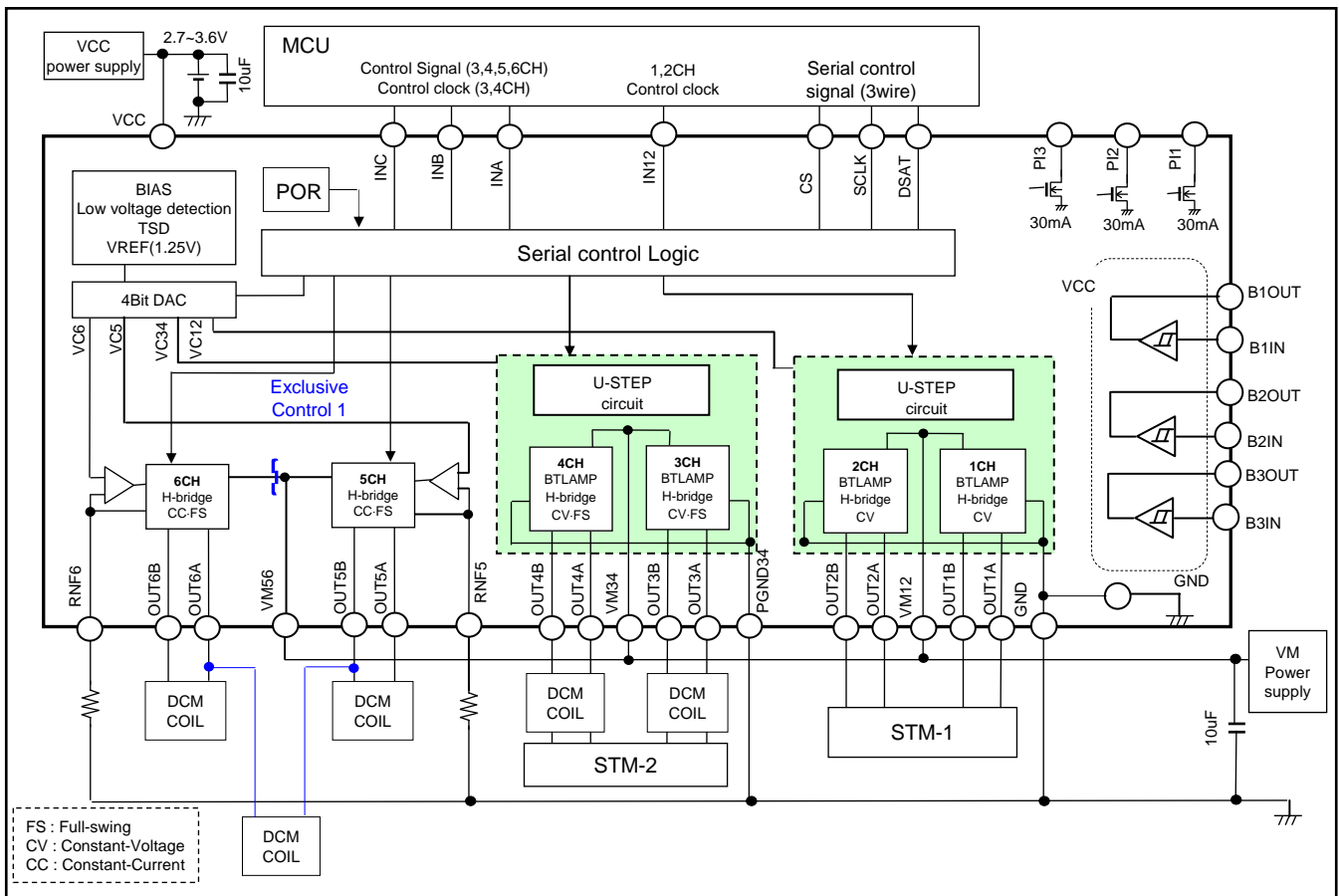
Motor driver for digital still cameras

Recommended operating conditions

Power-supply voltage range VCC: 2.7V~3.6V
VM: 2.7V~5.5V
Rated power-supply voltage VCC: 3.3V
VM: 5.0V



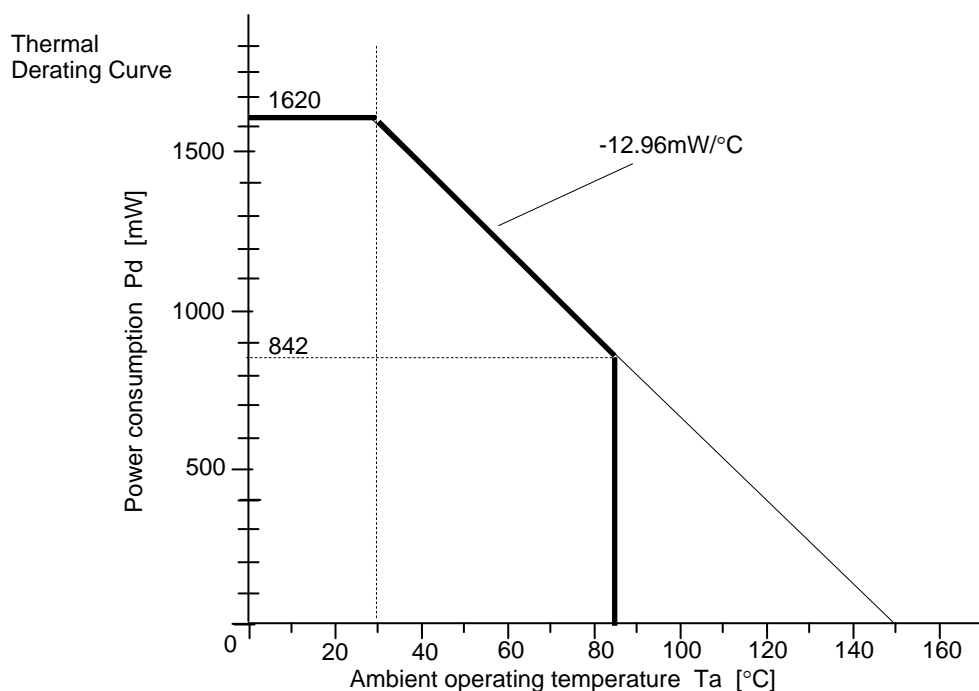
Block diagram and application circuit example



Absolute Maximum Ratings (Unless specified, the ambient temperature is 25°C)

Item	Symbol	Rated Value	Unit	Remarks
Power-supply voltage 1	VCC	6.5	V	Note1
Power-supply voltage 2	VM	6.5	V	Note1
Direct current (1ch~6ch)	Iod	±600	mA/ch	Note4 DC
Instantaneous output current(1ch~6ch)	Iop	±800	mA/ch	Note4 PW < 10ms, Duty ≤ 20%
Allowable power consumption	Pd	1620	mW	Note2 (Ta = 25°C)
Thermal derating ratio	Kθ	-12.96	mW/°C	Note2 (Ta ≥ 25°C)
Max. junction temperature	Tj	150	°C	
Applied input voltages	Vin	-0.3~VCC+0.3	V	Note3
Ambient operating temperature	Topr	-30~85	°C	
Storage temperature	Tstg	-40~150	°C	

- Notes: 1. As a rule, do not apply reverse power-supply voltages.
 2. Glass epoxy board: 76.2mm x 114.5mm x 1.6mm, copper-occupancy ratio in a 4-layer board 20-100-100-20%.
 Note that the allowable power consumption changes according to the conditions imposed on the board.
 3. As a rule, do not apply voltages above the power-supply voltage or below the GND voltage.
 4. The total output current does not exceed the rated value in usage with multiple channels simultaneously turned on.



[Remarks]

The electric power which the power consumption of this IC with the output transistor of 1ch - 6ch becomes dominant.

Output transistor power consumption formula

<Full Swing>: (output current)² x ON resistance E.g. (500mA)² x 2.0ohm=500mW

<Constant current>: output current x {VM - RNF5 - output current x RM}

Note: In constant current control, the on resistance is not included in the calculation

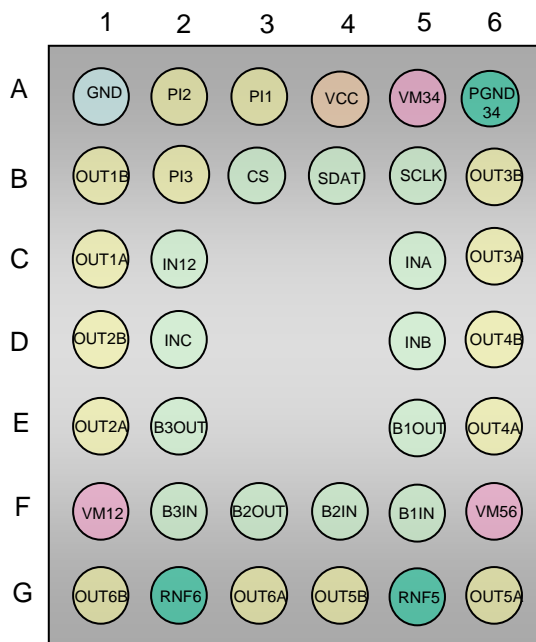
<Constant voltage>: (VM - voltage between terminal) x voltage between terminal / RL

Note: In constant voltage control, the on resistance is not included in the calculation formula for RL at a resistance fixed voltage regulation of the actuator.

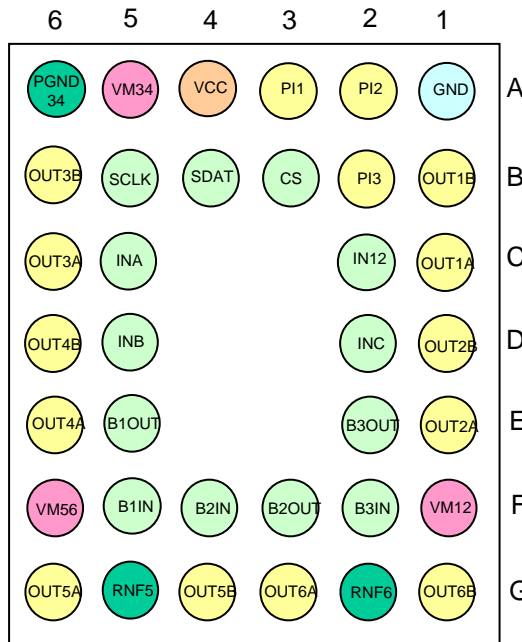
When the ambient temperature is 25°C or more, refer to the above figure in selecting the required heat sink.

Terminal Function Explanation

Top VIEW (Marking Side)



Bottom VIEW (Pin side)

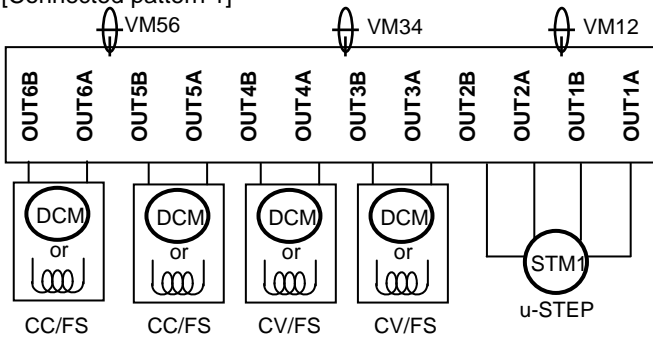


Pin No	Pin Name	I/O	Pin Function
A1	GND	GND	1/2CH Power GND /Analog Control GND
A2	PI2	O	PI2 Output
A3	PI1	O	PI1 Output
A4	VCC	Power Supply	Analog/Control Power Supply
A5	VM34	Power Supply	3/4CH Motor Power Supply
A6	PGND34	GND	34CH Power GND
B1	OUT1B	O	1CH B Output
B2	PI3	O	PI3 Output or MOB/EXT Output
B3	CS	I	Serial Control Signal
B4	SDAT	I	Serial Control Signal
B5	SCLK	I	Serial Control Signal
B6	OUT3B	O	3CH B Output
C1	OUT1A	O	1CH A Output
C2	IN12	I	12CH Control
—	—	—	—
—	—	—	—
C5	INA	I	3/4/5CH Control
C6	OUT3A	O	3CH A Output
D1	OUT2B	O	2CH B Output
D2	INC	I	6CH Control
—	—	—	—
—	—	—	—
D5	INB	I	4/5/6CH Control
D6	OUT4B	O	4CH B Output

Pin No	Pin Name	I/O	Pin Function
E1	OUT2A	O	2CH A Output
E2	B3OUT	O	Schmitt Buffer 3 Output
—	—	—	—
—	—	—	—
E5	B1OUT	O	Schmitt Buffer 1 Output
E6	OUT4A	O	4CH A Output
F1	VM12	Power Supply	1/2CH Motor Power Supply
F2	B3IN	I	Schmitt Buffer 3 Input
F3	B2OUT	O	Schmitt Buffer 2 Output
F4	B2IN	I	Schmitt Buffer 2 Input
F5	B1IN	I	Schmitt Buffer 1 Input
F6	VM56	Power Supply	5/6CH Motor Power Supply
G1	OUT6B	O	6CH B Output
G2	RNF6	GND	Current feedback resistor connection
G3	OUT6A	O	6CH A Output
G4	OUT5B	O	5CH B Output
G5	RNF5	GND	Current feedback resistor connection
G6	OUT5A	O	5CH A Output

Actuator connection pattern(1)

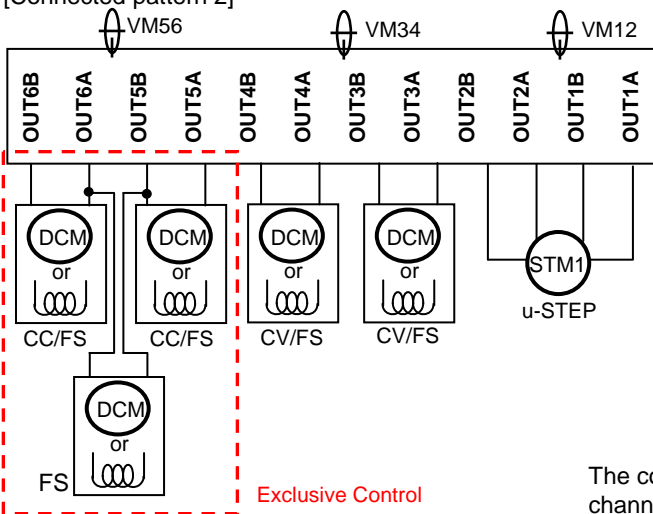
[Connected pattern 1]



1ch	2ch	3ch	4ch	5ch	6ch
STM1	CV/FS	CV/FS	CC/FS		
1line (IN12)	1line control (INA) or serial	1line control (INA or INB) or serial	1line control (INA or INB) or serial	1line control (INA or INB) or serial	1line control (INC) or 2line control (INB/INC)

The control method of each channel is set through serial

[Connected pattern 2]



1ch	2ch	3ch	4ch	5ch	6ch	7ch
STM1	CV/FS	CV/FS	CC/FS	CC/FS	CC/FS	FS
1line (IN12)	1line control (INA) or serial	1line control (INA or INB) or serial	1line control (INA or INB) or serial	1line control (INA or INB) or serial	1line control (INC) or 2line control (INB/INC)	serial

The control method of each channel is set through serial

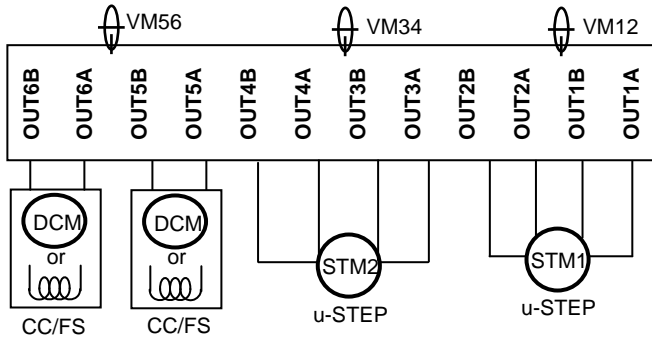
Exclusive Control
5ch,6ch,7ch cannot be simultaneously operated. Only one channel is operated at a time.

3-6CH Control input terminal setting

3-6CH Control Bit of Input terminal setting					3/4ch (STM2)	3ch (DC motor /coil)	4ch (DC motor /coil)	5ch	6ch		
b4	b3	b2	b1	b0					INB	INC	
0	0	0	0	0	X	—	—	—	INB	INC	
0	0	0	1	0		INA	—	—	—	INB	INC
0	0	1	0	0		—	INA	—	—	INB	INC
0	0	1	1	0		—	—	—	INA	INB	INC
0	0	0	0	1		—	—	—	—	—	INC
0	0	0	1	1		INA	—	—	—	—	INC
0	0	1	0	1		INA	INB	—	—	—	INC
0	0	1	1	1		INA	—	—	INB	—	INC
0	1	0	0	1		—	INA	—	—	—	INC
0	1	0	1	1		—	—	INA	INB	—	INC
0	1	1	0	1	—	—	—	INB	—	INC	
1	0	0	0	0	INA	—	—	—	INB	INC	
1	0	0	1	1	INA	—	—	INB	—	INC	
1	0	1	0	1	INA	—	—	—	—	INC	

Actuator connection pattern(2)

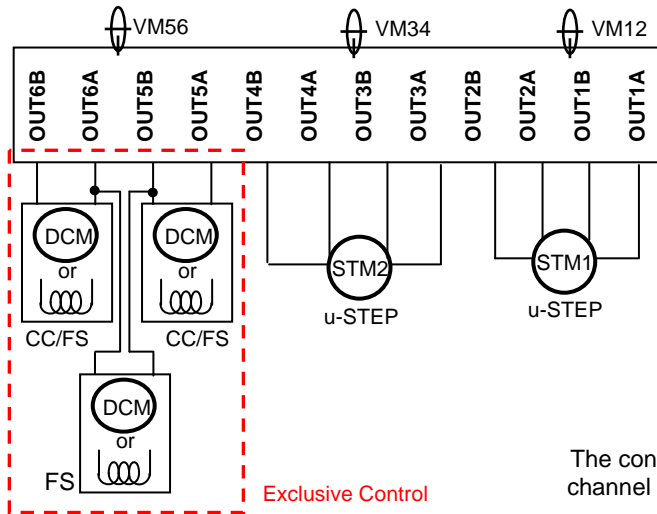
[Connected pattern3]



1ch	2ch	3ch	4ch	5ch	6ch
STM1		STM2		CC/FS	CC/FS
1line (IN12)		1line control (INA)		1line control (INB) or serial	1line control (INC) or 2line control (INB/INC)

The control method of each channel is set through serial

[Connected pattern4]



1ch	2ch	3ch	4ch	5ch	6ch	7ch
STM1		STM2		CC/FS	CC/FS	FS
1line (IN12)		1line control (INA)		1line control (INB) or serial	1line control (INC) or 2line control (INB/INC)	Serial

Exclusive Control
5ch,6ch,7ch cannot be simultaneously operated. Only one channel is operated at a time.

The control method of each channel is set through serial

3~6CH Control input terminal setting

3~6CH Control Bit of Input terminal setting					3/4ch (STM2)	3ch (DC motor /coil)	4ch (DC motor /coil)	5ch	6ch	
b4	b3	b2	b1	b0					INB	INC
0	0	0	0	0		---	---	---	INB	INC
0	0	0	1	0		INA	---	---	INB	INC
0	0	1	0	0		---	INA	---	INB	INC
0	0	1	1	0		---	---	INA	INB	INC
0	0	0	0	1		---	---	---	---	INC
0	0	0	1	1		INA	---	---	---	INC
0	0	1	0	1		INA	INB	---	---	INC
0	0	1	1	1		INA	---	INB	---	INC
0	1	0	0	1		---	INA	---	---	INC
0	1	0	1	1		---	INA	INB	---	INC
0	1	1	0	1		---	---	INB	---	INC
1	0	0	0	0		INA		---	INB	INC
1	0	0	1	1		INA		INB	---	INC
1	0	1	0	1		INA		---	---	INC

Ordering Information

Orderable Part No.	Package Code	Quantity
R2A30428BM#W0	SWBG0036LA-A	2500 pcs
R2A30428BX#W0	SWBG0036LB-A	2500 pcs

Notice

1. Descriptions of circuits, software and other related information in this document are provided only to illustrate the operation of semiconductor products and application examples. You are fully responsible for the incorporation of these circuits, software, and information in the design of your equipment. Renesas Electronics assumes no responsibility for any losses incurred by you or third parties arising from the use of these circuits, software, or information.
 2. Renesas Electronics has used reasonable care in preparing the information included in this document, but Renesas Electronics does not warrant that such information is error free. Renesas Electronics assumes no liability whatsoever for any damages incurred by you resulting from errors in or omissions from the information included herein.
 3. Renesas Electronics does not assume any liability for infringement of patents, copyrights, or other intellectual property rights of third parties by or arising from the use of Renesas Electronics products or technical information described in this document. No license, express, implied or otherwise, is granted hereby under any patents, copyrights or other intellectual property rights of Renesas Electronics or others.
 4. You should not alter, modify, copy, or otherwise misappropriate any Renesas Electronics product, whether in whole or in part. Renesas Electronics assumes no responsibility for any losses incurred by you or third parties arising from such alteration, modification, copy or otherwise misappropriation of Renesas Electronics product.
 5. Renesas Electronics products are classified according to the following two quality grades: "Standard" and "High Quality". The recommended applications for each Renesas Electronics product depends on the product's quality grade, as indicated below.
"Standard": Computers; office equipment; communications equipment; test and measurement equipment; audio and visual equipment; home electronic appliances; machine tools; personal electronic equipment; and industrial robots etc.
"High Quality": Transportation equipment (automobiles, trains, ships, etc.); traffic control systems; anti-disaster systems; anti-crime systems; and safety equipment etc.
Renesas Electronics products are neither intended nor authorized for use in products or systems that may pose a direct threat to human life or bodily injury (artificial life support devices or systems, surgical implantations etc.), or may cause serious property damages (nuclear reactor control systems, military equipment etc.). You must check the quality grade of each Renesas Electronics product before using it in a particular application. You may not use any Renesas Electronics product for any application for which it is not intended. Renesas Electronics shall not be in any way liable for any damages or losses incurred by you or third parties arising from the use of any Renesas Electronics product for which the product is not intended by Renesas Electronics.
 6. You should use the Renesas Electronics products described in this document within the range specified by Renesas Electronics, especially with respect to the maximum rating, operating supply voltage range, movement power voltage range, heat radiation characteristics, installation and other product characteristics. Renesas Electronics shall have no liability for malfunctions or damages arising out of the use of Renesas Electronics products beyond such specified ranges.
 7. Although Renesas Electronics endeavors to improve the quality and reliability of its products, semiconductor products have specific characteristics such as the occurrence of failure at a certain rate and malfunctions under certain use conditions. Further, Renesas Electronics products are not subject to radiation resistance design. Please be sure to implement safety measures to guard them against the possibility of physical injury, and injury or damage caused by fire in the event of the failure of a Renesas Electronics product, such as safety design for hardware and software including but not limited to redundancy, fire control and malfunction prevention, appropriate treatment for aging degradation or any other appropriate measures. Because the evaluation of microcomputer software alone is very difficult, please evaluate the safety of the final products or systems manufactured by you.
 8. Please contact a Renesas Electronics sales office for details as to environmental matters such as the environmental compatibility of each Renesas Electronics product. Please use Renesas Electronics products in compliance with all applicable laws and regulations that regulate the inclusion or use of controlled substances, including without limitation, the EU RoHS Directive. Renesas Electronics assumes no liability for damages or losses occurring as a result of your noncompliance with applicable laws and regulations.
 9. Renesas Electronics products and technology may not be used for or incorporated into any products or systems whose manufacture, use, or sale is prohibited under any applicable domestic or foreign laws or regulations. You should not use Renesas Electronics products or technology described in this document for any purpose relating to military applications or use by the military, including but not limited to the development of weapons of mass destruction. When exporting the Renesas Electronics products or technology described in this document, you should comply with the applicable export control laws and regulations and follow the procedures required by such laws and regulations.
 10. It is the responsibility of the buyer or distributor of Renesas Electronics products, who distributes, disposes of, or otherwise places the product with a third party, to notify such third party in advance of the contents and conditions set forth in this document, Renesas Electronics assumes no responsibility for any losses incurred by you or third parties as a result of unauthorized use of Renesas Electronics products.
 11. This document may not be reproduced or duplicated in any form, in whole or in part, without prior written consent of Renesas Electronics.
 12. Please contact a Renesas Electronics sales office if you have any questions regarding the information contained in this document or Renesas Electronics products, or if you have any other inquiries.
- (Note 1) "Renesas Electronics" as used in this document means Renesas Electronics Corporation and also includes its majority-owned subsidiaries.
(Note 2) "Renesas Electronics product(s)" means any product developed or manufactured by or for Renesas Electronics.



SALES OFFICES

Renesas Electronics Corporation

<http://www.renesas.com>

Refer to "<http://www.renesas.com/>" for the latest and detailed information.

Renesas Electronics America Inc.
2880 Scott Boulevard Santa Clara, CA 95050-2554, U.S.A.
Tel: +1-408-588-6000, Fax: +1-408-588-6130

Renesas Electronics Canada Limited
1101 Nicholson Road, Newmarket, Ontario L3Y 9C3, Canada
Tel: +1-905-898-5441, Fax: +1-905-898-3220

Renesas Electronics Europe Limited
Dukes Meadow, Millboard Road, Bourne End, Buckinghamshire, SL8 5FH, U.K.
Tel: +44-1628-651-700, Fax: +44-1628-651-804

Renesas Electronics Europe GmbH
Arcadiastrasse 10, 40472 Düsseldorf, Germany
Tel: +49-211-65030, Fax: +49-211-6503-1327

Renesas Electronics (China) Co., Ltd.
7th Floor, Quantum Plaza, No.27 ZhiChunLu Haidian District, Beijing 100083, P.R.China
Tel: +86-10-8235-1155, Fax: +86-10-8235-7679

Renesas Electronics (Shanghai) Co., Ltd.
Unit 204, 205, AZIA Center, No.1233 Lujiazui Ring Rd., Pudong District, Shanghai 200120, China
Tel: +86-21-5877-1818, Fax: +86-21-6887-7858 / -7898

Renesas Electronics Hong Kong Limited
Unit 1601-1613, 16/F., Tower 2, Grand Century Place, 193 Prince Edward Road West, Mongkok, Kowloon, Hong Kong
Tel: +852-2886-9318, Fax: +852 2886-9022/9044

Renesas Electronics Taiwan Co., Ltd.
13F, No. 363, Fu Shing North Road, Taipei, Taiwan
Tel: +886-2-8175-9600, Fax: +886 2-8175-9670

Renesas Electronics Singapore Pte. Ltd.
80 Bendemeer Road, Unit #06-02 Hyflux Innovation Centre Singapore 339949
Tel: +65-6213-0200, Fax: +65-6213-0300

Renesas Electronics Malaysia Sdn.Bhd.
Unit 906, Block B, Menara Amcorp, Amcorp Trade Centre, No. 18, Jln Persiaran Barat, 46050 Petaling Jaya, Selangor Darul Ehsan, Malaysia
Tel: +60-3-7955-3390, Fax: +60-3-7955-9510

Renesas Electronics Korea Co., Ltd.
11F., Samik Laved. or Bldg., 720-2 Yeoksam-Dong, Kangnam-Ku, Seoul 135-080, Korea
Tel: +82-2-558-3737, Fax: +82-2-558-5141