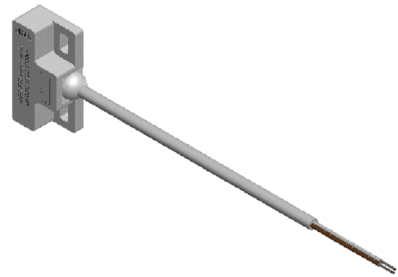
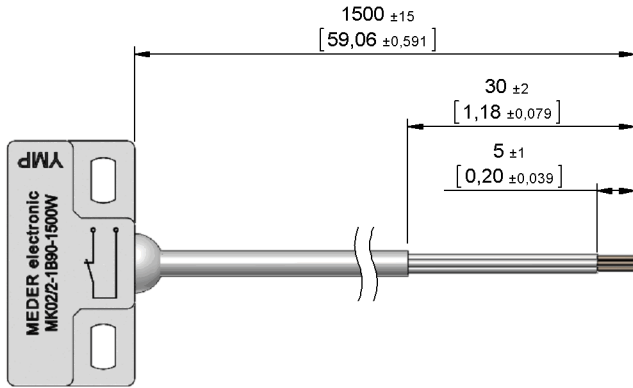


Dimensions mm[inch]
 tolerances acc. to DIN ISO 2768-m
 Toleranzen gem. DIN ISO 2768-m

Isometric
 Scale 1:2
 Maßstab 1:2



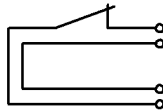
Cable

PVC LIYY 4x0,14qmm
 colour of mantle: white
 colour of wires: white
 PVC LIYY 4x0,14qmm
 Mantelfarbe: weiß
 Aderfarben: weiß

Terminals/Connector

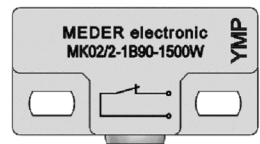
Ends tinned
 Enden verzinkt

Schematic

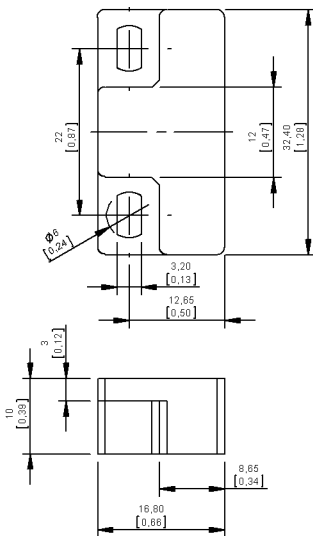


Marking

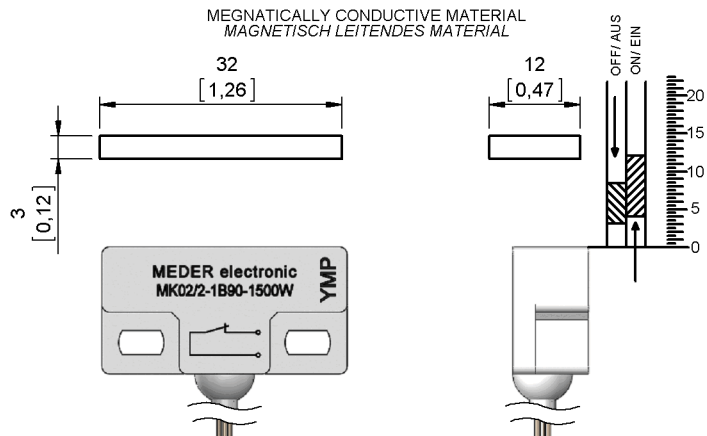
according to EN60062/factory code
 gem. EN60062/Fertigungsstätte



Housing



Switching distances





Europe: +49 / 7731 8399 0 | Email: info@meder.com
 USA: +1 / 508 295 0771 | Email: salesusa@meder.com
 Asia: +852 / 2955 1682 | Email: salesasia@meder.com

Item No.:
2222902154
 Item:
MK02/2-1B90-1500W

Products for tomorrow...

| Magnetic properties | Conditions | Min | Typ | Max | Unit |
|---------------------|------------|--------|-----|-----|------|
| Pull in | at 20°C | 3 | | 8,5 | mm |
| Drop out | at 20°C | 4 | | 12 | mm |
| Test equipment | | SV 002 | | | |

| Special Product Data | Conditions | Min | Typ | Max | Unit |
|----------------------|---|----------------------------|-----|-----|------|
| Contact - form | | B/C - NC | | | |
| Contact - No. | | 90 | | | |
| Contact rating | Any DC combination of V & A not to exceed their individual max.'s | | | 10 | W |
| operating voltage | DC or Peak AC | | | 175 | V |
| operating ampere | DC or Peak AC | | | 1 | A |
| Switching current | DC or Peak AC | | | 0,5 | A |
| Sensor-resistance | measured with 40% overdrive Sensor deactivated | | | 580 | mOhm |
| Housing material | | PBT glass fibre reinforced | | | |
| Case color | | white | | | |
| Sealing compound | | Polyurethan | | | |

| Environmental data | Conditions | Min | Typ | Max | Unit |
|-----------------------|-----------------|-----|-----|-----|------|
| Operating temperature | cable not moved | -30 | | 80 | °C |
| Operating temperature | cable moved | -5 | | 80 | °C |
| Storage temperature | | -30 | | 80 | °C |

| Cable specification | Conditions | Min | Typ | Max | Unit |
|---------------------|------------|-------------|-----|-----|------|
| Cable typ | | round cable | | | |
| Cable material | | PVC | | | |
| Cross section | | 0,14 qmm | | | |

| General data | Conditions | Min | Typ | Max | Unit |
|-------------------|------------------------------------|--|-----|-----|------|
| Mounting advice | | over 5m cable, a series resistor is recommended. | | | |
| Mounting advice | | Decreased switching distances by mounting on iron. | | | |
| Mounting advice | | Don't use magnetically conductive screws | | | |
| tightening torque | Screw M3 ISO 1207 Disk ISO 7089 | | | 0,5 | Nm |

Modifications in the sense of technical progress are reserved

Designed at: 05.06.07 Designed by: WKOVACS
 Last Change at: 15.11.12 Last Change by: OMUELLER

Approval at: 05.06.07 Approval by: TFRITSCHI
 Approval at: 16.11.12 Approval by: TFRITSCHI

Version: 06