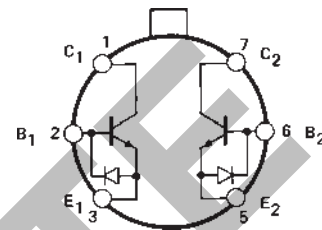


FEATURES

- Low Offset Voltage:** 50 μV max
- Low Noise Voltage at 100 Hz, 1 mA:** 1.0 $\text{nV}/\sqrt{\text{Hz}}$ max
- High Gain (h_{FE}):**
 - 500 min at $I_C = 1 \text{ mA}$
 - 300 min at $I_C = 1 \mu\text{A}$
- Excellent Log Conformance:** $r_{BE} \approx 0.3 \Omega$
- Low Offset Voltage Drift:** 0.1 $\mu\text{V}/^\circ\text{C}$ max
- Improved Direct Replacement for LM194/394**

PIN CONNECTION

TO-78
(H Suffix)



NOTE
Substrate is connected to case on TO-78 package.
Substrate is normally connected to the most negative circuit potential, but can be floated.

PRODUCT DESCRIPTION

The design of the MAT02 series of NPN dual monolithic transistors is optimized for very low noise, low drift and low r_{BE} . Precision Monolithics' exclusive Silicon Nitride "Triple-Passivation" process stabilizes the critical device parameters over wide ranges of temperature and elapsed time. Also, the high current gain (h_{FE}) of the MAT02 is maintained over a wide range of collector current. Exceptional characteristics of the MAT02 include offset voltage of 50 μV max (A/E grades) and 150 μV max F grade. Device performance is specified over the full military temperature range as well as at 25°C.

Input protection diodes are provided across the emitter-base junctions to prevent degradation of the device characteristics due to reverse-biased emitter current. The substrate is clamped to the most negative emitter by the parasitic isolation junction created by the protection diodes. This results in complete isolation between the transistors.

The MAT02 should be used in any application where low noise is a priority. The MAT02 can be used as an input stage to make an amplifier with noise voltage of less than 1.0 $\text{nV}/\sqrt{\text{Hz}}$ at 100 Hz. Other applications, such as log/antilog circuits, may use the excellent logging conformity of the MAT02. Typical bulk resistance is only 0.3 Ω to 0.4 Ω . The MAT02 electrical characteristics approach those of an ideal transistor when operated over a collector current range of 1 μA to 10 mA. For applications requiring multiple devices see MAT04 Quad Matched Transistor data sheet.

REV. E

Information furnished by Analog Devices is believed to be accurate and reliable. However, no responsibility is assumed by Analog Devices for its use, nor for any infringements of patents or other rights of third parties that may result from its use. No license is granted by implication or otherwise under any patent or patent rights of Analog Devices.

MAT02—SPECIFICATIONS

ELECTRICAL CHARACTERISTICS (@ $V_{CB} = 15\text{ V}$, $I_C = 10\ \mu\text{A}$, $T_A = 25^\circ\text{C}$, unless otherwise noted.)

Parameter	Symbol	Conditions	MAT02E			MAT02F			Unit
			Min	Typ	Max	Min	Typ	Max	
Current Gain	h_{FE}	$I_C = 1\text{ mA}^1$ $I_C = 100\ \mu\text{A}$ $I_C = 10\ \mu\text{A}$ $I_C = 1\ \mu\text{A}$	500 500 400 300	605 590 550 485		400 400 300 200	605 590 550 485		
Current Gain Match	Δh_{FE}	$10\ \mu\text{A} \leq I_C \leq 1\text{ mA}^2$		0.5	2		0.5	4	%
Offset Voltage	V_{OS}	$V_{CB} = 0$, $1\ \mu\text{A} \leq I_C \leq 1\text{ mA}^3$		10	50		80	150	μV
Offset Voltage Change vs. V_{CB}	$\Delta V_{OS}/\Delta V_{CB}$	$0 \leq V_{CB} \leq V_{MAX}^4$ $1\ \mu\text{A} \leq I_C \leq 1\text{ mA}^3$		10	25		10	50	μV
Offset Voltage Change vs. Collector Current	$\Delta V_{OS}/\Delta I_C$	$V_{CB} = 0\text{ V}$ $1\ \mu\text{A} \leq I_C \leq 1\text{ mA}^3$		5	25		5	50	μV
Offset Current Change vs. V_{CB}	$\Delta I_{OS}/\Delta V_{CB}$	$0 \leq V_{CB} \leq V_{MAX}$		30	70		30	70	pA/V
Bulk Resistance	r_{BE}	$10\ \mu\text{A} \leq I_C \leq 10\text{ mA}^5$		0.3	0.5		0.3	0.5	Ω
Collector-Base Leakage Current	I_{CBO}	$V_{CB} = V_{MAX}$		25	200		25	400	pA
Collector-Collector Leakage Current	I_{CC}	$V_{CC} = V_{MAX}^{5,6}$ $V_{CE} = V_{MAX}^{5,6}$		35	200		35	400	pA
Collector-Emitter Leakage Current	I_{CES}	$V_{BE} = 0$		35	200		35	400	pA
Noise Voltage Density	e_n	$I_C = 1\text{ mA}$, $V_{CB} = 0^7$ $f_o = 10\text{ Hz}$ $f_o = 100\text{ Hz}$ $f_o = 1\text{ kHz}$ $f_o = 10\text{ kHz}$		1.6 0.9 0.85 0.85	2 1 1 1		1.6 0.9 0.85 0.85	3 2 2 2	$\text{nV}/\sqrt{\text{Hz}}$ $\text{nV}/\sqrt{\text{Hz}}$ $\text{nV}/\sqrt{\text{Hz}}$ $\text{nV}/\sqrt{\text{Hz}}$
Collector Saturation Voltage	$V_{CE(SAT)}$	$I_C = 1\text{ mA}$, $I_B = 100\ \mu\text{A}$		0.05	0.1		0.05	0.2	V
Input Bias Current	I_B	$I_C = 10\ \mu\text{A}$			25			34	nA
Input Offset Current	I_{OS}	$I_C = 10\ \mu\text{A}$			0.6			1.3	nA
Breakdown Voltage	BV_{CEO}		40			40			V
Gain-Bandwidth Product	f_T	$I_C = 10\text{ mA}$, $V_{CE} = 10\text{ V}$		200			200		MHz
Output Capacitance	C_{OB}	$V_{CB} = 15\text{ V}$, $I_E = 0$		23			23		pF
Collector-Collector Capacitance	C_{CC}	$V_{CC} = 0$		35			35		pF

NOTES

¹Current gain is guaranteed with Collector-Base Voltage (V_{CB}) swept from 0 to V_{MAX} at the indicated collector currents.

²Current gain match (Δh_{FE}) is defined as: $\Delta h_{FE} = \frac{100 (\Delta I_B) (h_{FE\text{ min}})}{I_C}$

³Measured at $I_C = 10\ \mu\text{A}$ and guaranteed by design over the specified range of I_C .

⁴This is the maximum change in V_{OS} as V_{CB} is swept from 0 V to 40 V.

⁵Guaranteed by design.

⁶ I_{CC} and I_{CES} are verified by measurement of I_{CBO} .

⁷Sample tested.

Specifications subject to change without notice.

ELECTRICAL CHARACTERISTICS ($V_{CB} = 15\text{ V}$, $-25^{\circ}\text{C} \leq T_A \leq +85^{\circ}\text{C}$, unless otherwise noted.)

Parameter	Symbol	Conditions	MAT02E			MAT02F			Unit
			Min	Typ	Max	Min	Typ	Max	
Offset Voltage	V_{OS}	$V_{CB} = 0$ $1\ \mu\text{A} \leq I_C \leq 1\ \text{mA}^1$			70			220	μV
Average Offset Voltage Drift	TCV_{OS}	$10\ \mu\text{A} \leq I_C \leq 1\ \text{mA}$, $0 \leq V_{CB} \leq V_{MAX}^2$ V_{OS} Trimmed to Zero ³		0.08	0.3		0.08	1	$\mu\text{V}/^{\circ}\text{C}$
Input Offset Current	I_{OS}	$I_C = 10\ \mu\text{A}$			8			13	nA
Input Offset Current Drift	TCI_{OS}	$I_C = 10\ \mu\text{A}^4$		40	90		40	150	$\text{pA}/^{\circ}\text{C}$
Input Bias Current	I_B	$I_C = 10\ \mu\text{A}$			45			50	nA
Current Gain	h_{FE}	$I_C = 1\ \text{mA}^5$	325				300		
		$I_C = 100\ \mu\text{A}$	275				250		
		$I_C = 10\ \mu\text{A}$	225				200		
		$I_C = 1\ \mu\text{A}$	200				150		
Collector-Base Leakage Current	I_{CBO}	$V_{CB} = V_{MAX}$			2			3	nA
Collector-Emitter Leakage Current	I_{CES}	$V_{CE} = V_{MAX}$, $V_{BE} = 0$			3			4	nA
Collector-Collector Leakage Current	I_{CC}	$V_{CC} = V_{MAX}$			3			4	nA

NOTES

¹Measured at $I_C = 10\ \mu\text{A}$ and guaranteed by design over the specified range of I_C .

²Guaranteed by V_{OS} test ($TCV_{OS} \equiv \frac{V_{OS}}{T}$ for $V_{OS} \ll V_{BE}$) $T = 298\text{K}$ for $T_A = 25^{\circ}\text{C}$.

³The initial zero offset voltage is established by adjusting the ratio of I_{C1} to I_{C2} at $T_A = 25^{\circ}\text{C}$. This ratio must be held to 0.003% over the entire temperature range. Measurements are taken at the temperature extremes and 25°C .

⁴Guaranteed by design.

⁵Current gain is guaranteed with Collector-Base Voltage (V_{CB}) swept from 0 V to V_{MAX} at the indicated collector current.

Specifications subject to change without notice.

ABSOLUTE MAXIMUM RATINGS¹

Collector-Base Voltage (BV_{CBO})	40 V
Collector-Emitter Voltage (BV_{CEO})	40 V
Collector-Collector Voltage (BV_{CC})	40 V
Emitter-Emitter Voltage (BV_{EE})	40 V
Collector Current (I_C)	20 mA
Emitter Current (I_E)	20 mA
Total Power Dissipation	
Case Temperature $\leq 40^{\circ}\text{C}^2$	1.8 W
Ambient Temperature $\leq 70^{\circ}\text{C}^3$	500 mW
Operating Temperature Range	
MAT02E, F	-25°C to $+85^{\circ}\text{C}$

Operating Junction Temperature	-55°C to $+150^{\circ}\text{C}$
Storage Temperature	-65°C to $+150^{\circ}\text{C}$
Lead Temperature (Soldering, 60 sec)	300°C
Junction Temperature	-65°C to $+150^{\circ}\text{C}$

NOTES

¹Absolute maximum ratings apply to both DICE and packaged devices.

²Rating applies to applications using heat sinking to control case temperature. Derate linearly at $16.4\ \text{mW}/^{\circ}\text{C}$ for case temperature above 40°C .

³Rating applies to applications not using a heat sinking; devices in free air only. Derate linearly at $6.3\ \text{mW}/^{\circ}\text{C}$ for ambient temperature above 70°C .

ORDERING GUIDE

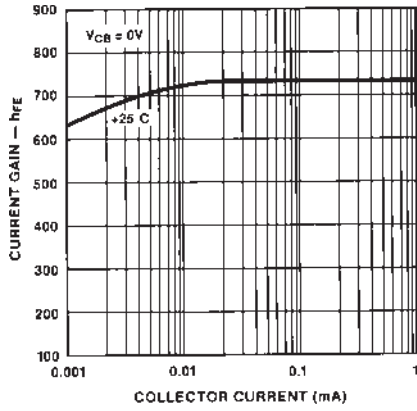
Model	V_{OS} max ($T_A = 25^{\circ}\text{C}$)	Temperature Range	Package Option
MAT02EH	50 μV	-25°C to $+85^{\circ}\text{C}$	TO-78
MAT02FH	150 μV	-25°C to $+85^{\circ}\text{C}$	TO-78

CAUTION

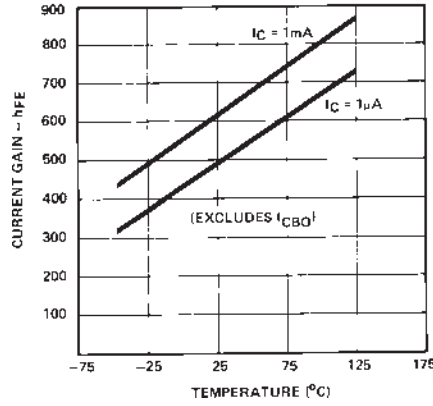
ESD (electrostatic discharge) sensitive device. Electrostatic charges as high as 4000 V readily accumulate on the human body and test equipment and can discharge without detection. Although the MAT02 features proprietary ESD protection circuitry, permanent damage may occur on devices subjected to high energy electrostatic discharges. Therefore, proper ESD precautions are recommended to avoid performance degradation or loss of functionality.



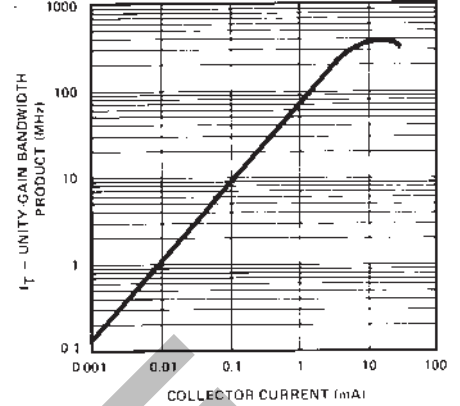
MAT02—Typical Performance Characteristics



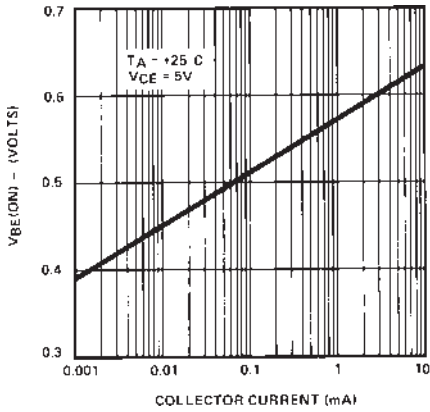
TPC 1. Current Gain vs. Collector Current



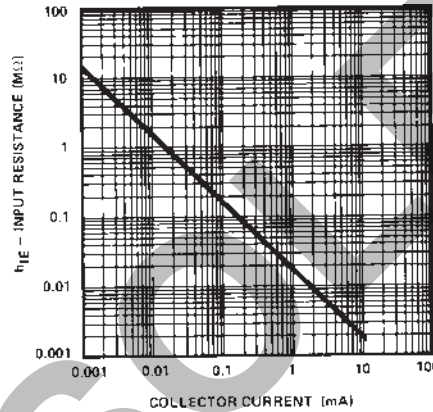
TPC 2. Current Gain vs. Temperature



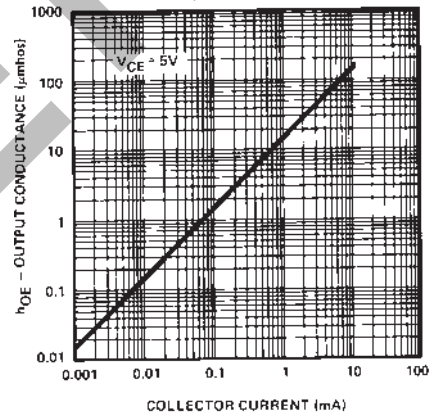
TPC 3. Gain Bandwidth vs. Collector Current



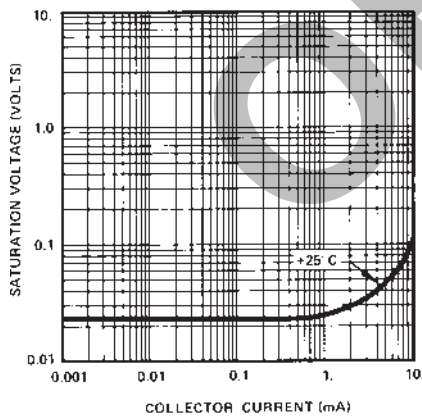
TPC 4. Base-Emitter-On Voltage vs. Collector Current



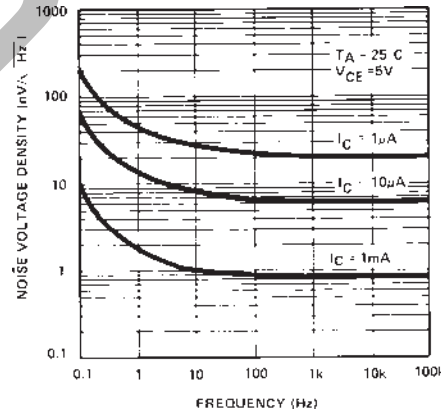
TPC 5. Small Signal Input Resistance vs. Collector Current



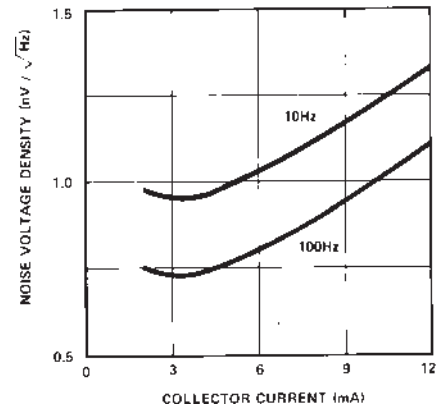
TPC 6. Small-Signal Output Conductance vs. Collector Current



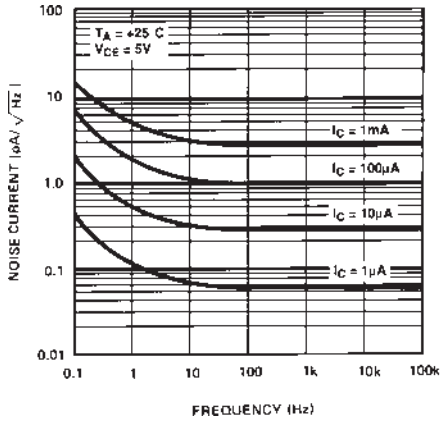
TPC 7. Saturation Voltage vs. Collector Current



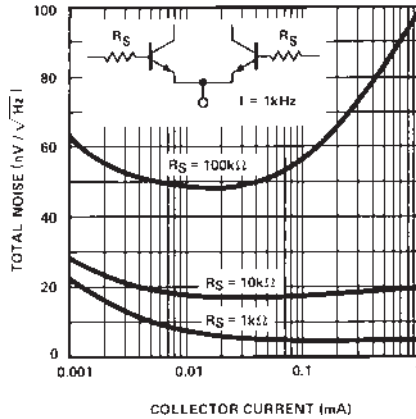
TPC 8. Noise Voltage Density vs. Frequency



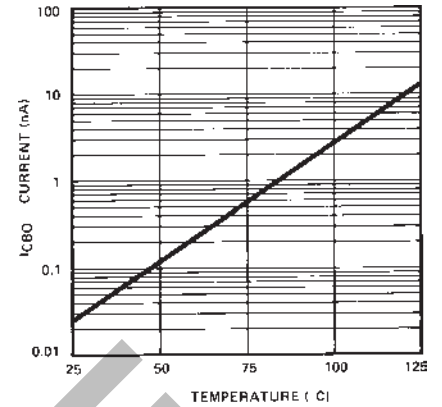
TPC 9. Noise Voltage Density vs. Collector Current



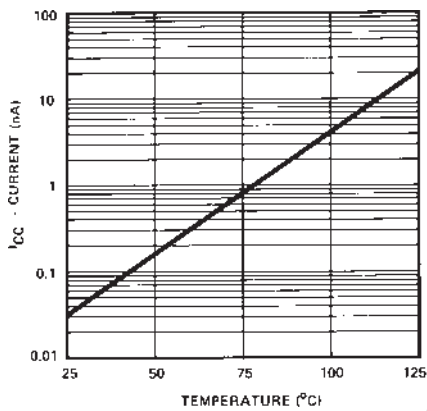
TPC 10. Noise Current Density vs. Frequency



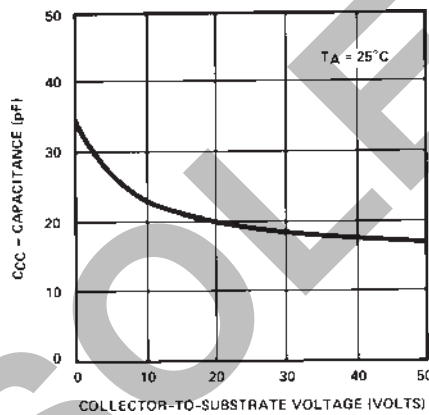
TPC 11. Total Noise vs. Collective Current



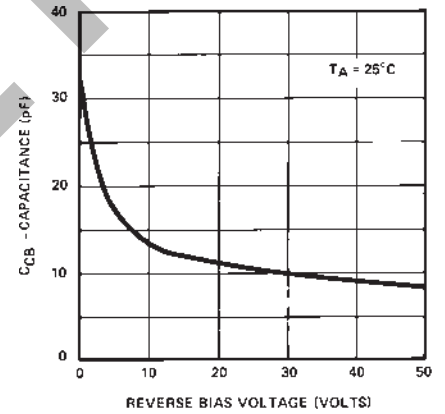
TPC 12. Collector-to-Base Leakage vs. Temperature



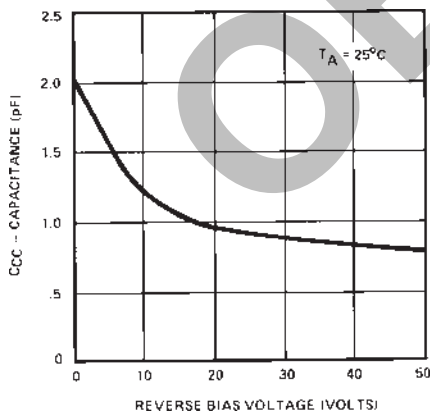
TPC 13. Collector-to-Collector Leakage vs. Temperature



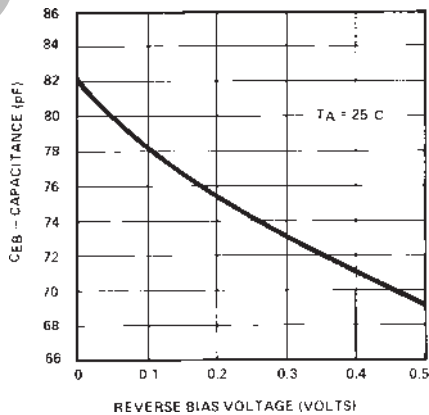
TPC 14. Collector-to-Collector Capacitance vs. Collector-to Substrate Voltage



TPC 15. Collector-Base Capacitance vs. Reverse Bias Voltage



TPC 16. Collector-to-Collector Capacitance vs. Reverse Bias Voltage



TPC 17. Emitter-Base Capacitance vs. Reverse Bias Voltage

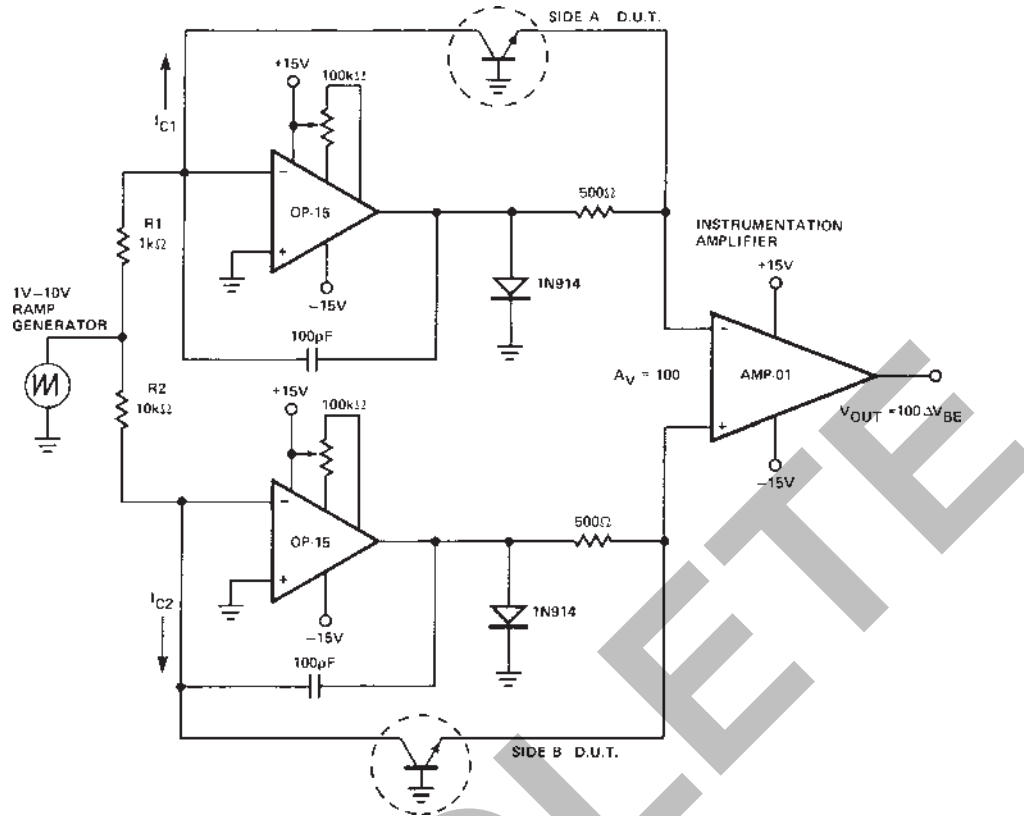


Figure 1. Log Conformance Test Circuit

LOG CONFORMANCE TESTING

The log conformance of the MAT02 is tested using the circuit shown above. The circuit employs a dual transdiode logarithmic converter operating at a fixed ratio of collector currents that are swept over a 10:1 range. The output of each transdiode converter is the V_{BE} of the transistor plus an error term which is the product of the collector current and r_{BE} , the bulk emitter resistance. The difference of the V_{BE} is amplified at a gain of $\times 100$ by the AMP01 instrumentation amplifier. The differential emitter-base voltage (ΔV_{BE}) consists of a temperature-dependent dc level plus an ac error voltage, which is the deviation from true log conformity as the collector currents vary.

The output of the transdiode logarithmic converter comes from the idealized intrinsic transistor equation (for silicon):

$$V_{BE} = \frac{kT}{q} \ln \frac{I_C}{I_S} \tag{1}$$

where

k = Boltzmann's Constant (1.38062×10^{-23} J/K)

q = Unit Electron Charge (1.60219×10^{-19} °C)

T = Absolute Temperature, K (= °C + 273.2)

I_S = Extrapolated Current for $V_{BE} \rightarrow 0$

I_C = Collector Current

An error term must be added to this equation to allow for the bulk resistance (r_{BE}) of the transistor. Error due to the op amp input current is limited by use of the OP15 BiFET-input op amp. The resulting AMP01 input is:

$$\Delta V_{BE} = \frac{kT}{q} \ln \frac{I_{C1}}{I_{C2}} + I_{C1} r_{BE1} - I_{C2} r_{BE2} \tag{2}$$

A ramp function that sweeps from 1 V to 10 V is converted by the op amps to a collector current ramp through each transistor. Because I_{C1} is made equal to 10 I_{C2} , and assuming $T_A = 25^\circ\text{C}$, the previous equation becomes:

$$\Delta V_{BE} = 59 \text{ mV} + 0.9 I_{C1} r_{BE} (\Delta r_{BE} \sim 0)$$

As viewed on an oscilloscope, the change in ΔV_{BE} for a 10:1 change in I_C is then displayed as shown in Figure 2 below:

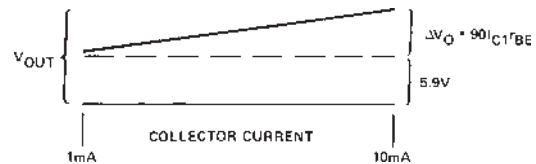


Figure 2.

With the oscilloscope ac coupled, the temperature dependent term becomes a dc offset and the trace represents the deviation from true log conformity. The bulk resistance can be calculated from the voltage deviation ΔV_O and the change in collector current (9 mA):

$$r_{BE} = \frac{\Delta V_O}{9 \text{ mA}} \times \frac{1}{100} \tag{3}$$

This procedure finds r_{BE} for Side A. Switching R_1 and R_2 will provide the r_{BE} for Side B. Differential r_{BE} is found by making $R_1 = R_2$.

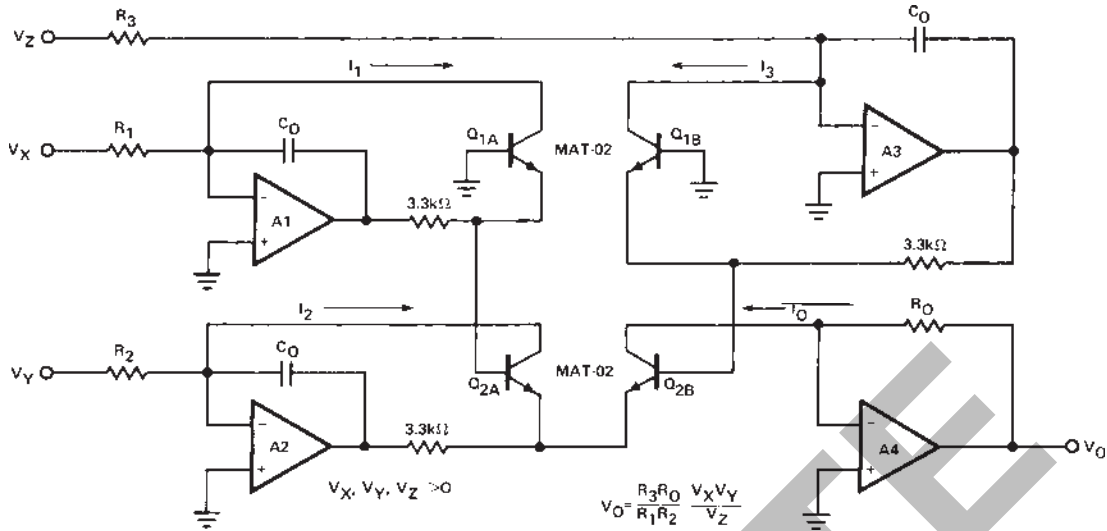


Figure 3. One-Quadrant Multiplier/Divider

APPLICATIONS: NONLINEAR FUNCTIONS MULTIPLIER/DIVIDER CIRCUIT

The excellent log conformity of the MAT02 over a very wide range of collector current makes it ideal for use in log-antilog circuits. Such nonlinear functions as multiplying, dividing, squaring and square-rooting are accurately and easily implemented with a log antilog circuit using two MAT02 pairs (see Figure 3). The transistor circuit accepts three input currents (I_1 , I_2 and I_3) and provides an output current I_0 according to $I_0 = I_1 I_2 / I_3$. All four currents must be positive in the log antilog circuit, but negative input voltages can be easily accommodated by various offsetting techniques. Protective diodes across each base-to-emitter junction would normally be needed, but these diodes are built into the MAT02. External protection diodes are, therefore, not needed.

For the circuit shown in Figure 3, the operational amplifiers make $I_1 = V_X/R_1$, $I_2 = V_Y/R_2$, $I_3 = V_Z/R_3$, and $I_0 = V_O/R_O$. The output voltage for this one-quadrant, log-antilog multiplier/divider is ideally:

$$V_O = \frac{R_3 R_O}{R_1 R_2} \frac{V_X V_Y}{V_Z} \quad (V_X, V_Y, V_Z > 0) \quad (4)$$

If all the resistors (R_O, R_1, R_2, R_3) are made equal, then

$$V_O = V_X V_Y / V_Z$$

Resistor values of 50 kΩ to 100 kΩ are recommended assuming an input range of 0.1 V to +10 V.

ERROR ANALYSIS

The base-to-emitter voltage of the MAT02 in its forward active operation is:

$$V_{BE} = \frac{kT}{q} \ln \frac{I_C}{I_S} + r_{BE} I_C, \quad V_{CB} \sim 0 \quad (5)$$

The first term comes from the idealized intrinsic transistor equation previously discussed (see equation (1)).

Extrinsic resistive terms and the early effect cause departure from the ideal logarithmic relationship. For small V_{CB} , all of

these effects can be lumped together as a total effective bulk resistance r_{BE} . The $r_{BE} I_C$ term causes departure from the desired logarithmic relationship. The r_{BE} term for the MAT02 is less than 0.5 Ω and Δr_{BE} between the two sides is negligible.

Returning to the multiplier/divider circuit of Figure 1 and using Equation (4):

$$V_{BE1A} + V_{BE2A} - V_{BE2B} - V_{BE1B} + (I_1 + I_2 - I_0 - I_3) r_{BE} = 0$$

If the transistor pairs are held to the same temperature, then:

$$\frac{kT}{q} \ln \frac{I_1 I_2}{I_3 I_0} = \frac{kT}{q} \ln \frac{I_{S1A} I_{S2A}}{I_{S1B} I_{S2B}} + (I_1 + I_2 - I_0 - I_3) r_{BE} \quad (6)$$

If all the terms on the right-hand side were zero, then $\ln(I_1 I_2 / I_3 I_0)$ would equal zero, which would lead directly to the desired result:

$$I_0 = \frac{I_1 I_2}{I_3}, \quad \text{where } I_1, I_2, I_3, I_0 > 0 \quad (7)$$

Note that this relationship is temperature independent. The right-hand side of Equation (6) is near zero and the output current I_0 will be approximately $I_1 I_2 / I_3$. To estimate error, define ϕ as the right-hand side terms of Equation (6):

$$\phi = \ln \frac{I_{S1A} I_{S2A}}{I_{S1B} I_{S2B}} + \frac{q}{kT} (I_1 + I_2 - I_0 - I_3) r_{BE} \quad (8)$$

For the MAT02, $\ln(I_{SA}/I_{SB})$ and $I_C r_{BE}$ are very small. For small ϕ , $\epsilon^{\phi} \sim 1 + \phi$ and therefore:

$$\frac{I_1 I_2}{I_3 I_0} = 1 + \phi \quad (9)$$

$$I_0 \sim \frac{I_1 I_2}{I_3} (1 - \phi)$$

The $\ln(I_{SA}/I_{SB})$ terms in ϕ cause a fixed gain error of less than ±0.6% from each pair when using the MAT02, and this gain error is easily trimmed out by varying R_O . The I_{OUT} terms are

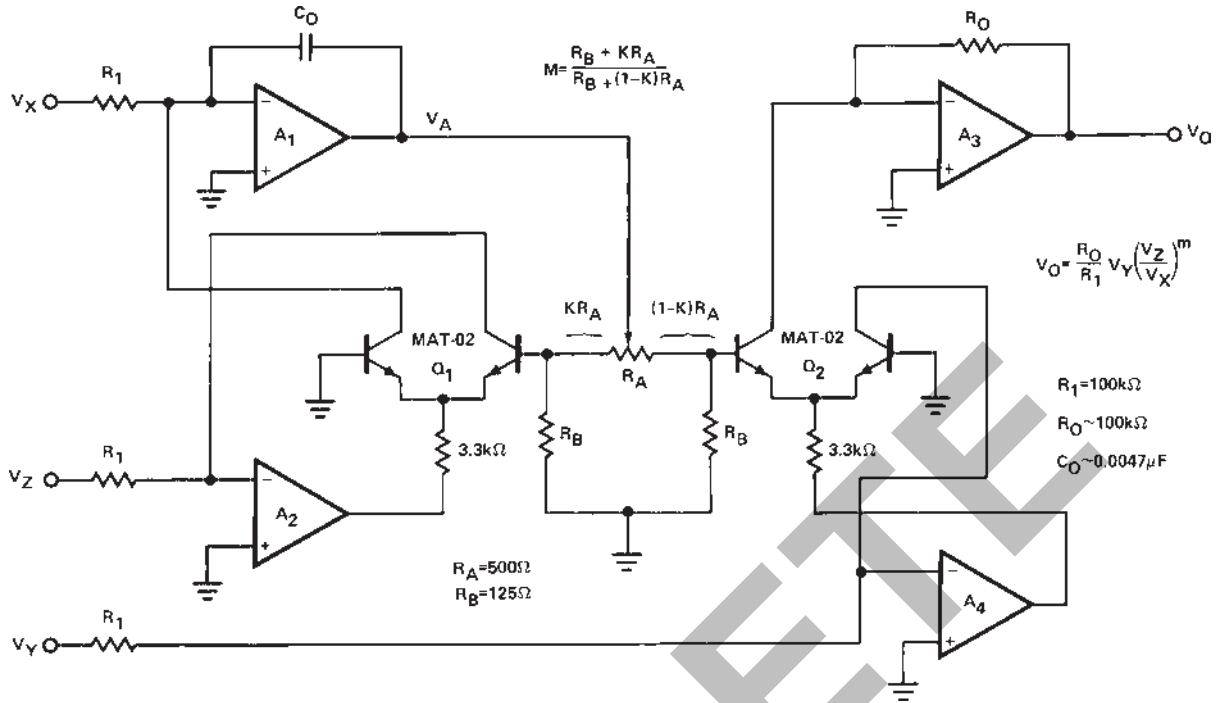


Figure 6. Multifunction Converter

Collector current range is the key design decision. The inherently low r_{BE} of the MAT02 allows the use of a relatively high collector current. For input scaling of ± 10 V full-scale and using a 10 V reference, we have a collector-current range for I_1 and I_2 of:

$$\left(\frac{-10}{R_1} + \frac{10}{R_2} \right) \leq I_C \leq \left(\frac{10}{R_1} + \frac{10}{R_2} \right) \quad (13)$$

Practical values for R_1 and R_2 would range from 50 k Ω to 100 k Ω . Choosing an R_1 of 82 k Ω and R_2 of 62 k Ω provides a collector current range of approximately 39 μ A to 283 μ A. An R_O of 108 k Ω will then make the output scale factor 1/10 and $V_O = V_X V_Y / 10$. The output, as well as both inputs, are scaled for ± 10 V full scale.

Linear error for this circuit is substantially improved by the small correction voltage applied to the base of Q1 as shown in Figure 5. Assuming an equal bulk emitter resistance for each MAT02 transistor, then the error is nulled if:

$$(I_1 + I_2 - I_3 - I_O) r_{BE} + \rho V_O = 0$$

The currents are known from the previous discussion, and the relationship needed is simply:

$$V_O = \frac{r_{BE}}{R_O} V_O \quad (14)$$

The output voltage is attenuated by a factor of r_{BE}/R_O and applied to the base of Q1 to cancel the summation of voltage drops due to $r_{BE}I_C$ terms. This will make $\ln(I_1 I_2 / I_3 I_O)$ more nearly zero which will thereby make $I_O = I_1 I_2 / I_3$ a more accurate relationship. Linearity of better than 0.1% is readily achievable with this circuit if the MAT02 pairs are carefully kept at the same temperature.

MULTIFUNCTION CONVERTER

The multifunction converter circuit provides an accurate means of squaring, square rooting, and raising ratios to arbitrary powers. The excellent log conformity of the MAT02 allows a wide range of exponents. The general transfer function is:

$$V_O = V_Y \left(\frac{V_Z}{V_X} \right)^m \quad (15)$$

V_X , V_Y , and V_Z are input voltages and the exponent “m” has a practical range of approximately 0.2 to 5. Inputs V_X and V_Y are often taken from a fixed reference voltage. With a REF01 providing a precision 10 V to both V_X and V_Y , the transfer function would simplify to:

$$V_O = 10 \left(\frac{V_Z}{10} \right)^m \quad (16)$$

As with the multiplier/divider circuits, assume that the transistor pairs have excellent matching and are at the same temperature. The $\ln I_{SA}/I_{SB}$ will then be zero. In the circuit of Figure 6, the voltage drops across the base-emitter junctions of Q1 provide:

$$\frac{R_B}{R_B + KR_A} V_A = \frac{kT}{q} \ln \frac{I_Z}{I_X} \quad (17)$$

I_Z is V_Z/R_1 and I_X is V_X/R_1 . Similarly, the relationship for Q2 is:

$$\frac{R_B}{R_B + (1-K)R_A} V_A = \frac{kT}{q} \ln \frac{I_O}{I_Y} \quad (18)$$

I_O is V_O/R_O and I_Y is V_Y/R_1 . These equations for Q1 and Q2 can then be combined.

$$\frac{R_B + KR_A}{R_B + (1-K)R_A} \ln \frac{I_Z}{I_X} = \ln \frac{I_O}{I_Y} \quad (19)$$

MAT02

Substituting in the voltage relationships and simplifying leads to:

$$V_O = \frac{R_O}{R_1} V_Y \left(\frac{V_Z}{V_X} \right)^m, \text{ where} \quad (20)$$

$$m = \frac{R_B + KR_A}{R_B + (1-K)R_A}$$

The factor “K” is a potentiometer position and varies from zero to 1.0, so “m” ranges from $R_B/(R_A + R_B)$ to $(R_B + R_A)/R_B$. Practical values are 125 Ω for R_B and 500 Ω for R_A ; these values will provide an adjustment range of 0.2 to 5.0. A value of 100 kΩ is recommended for the R_1 resistors assuming a full-scale input range of 10 V. As with the one-quadrant multiplier/divider circuit previously discussed, the V_X , V_Y , and V_Z inputs must all be positive.

The op amps should have the lowest possible input offsets. The OP07 is recommended for most applications, although such programmable micropower op amps as the OP193/OP293 offer advantages in low-power or single-supply circuits. The micropower op amps also have very low input bias-current drift, an important advantage in log/antilog circuits. External offset nulling may be needed, particularly for applications requiring a wide dynamic range. Frequency compensating capacitors, on the order of 50 pF, may be required for A_2 and A_3 . Amplifier A_1 is likely to need a larger capacitor, typically 0.0047 μF, to assure stability.

Accuracy is limited at the higher input levels by bulk emitter resistance, but this is much lower for the MAT02 than for other transistor pairs. Accuracy at the lower signal levels primarily depends on the op amp offsets. Accuracies of better than 1% are readily achievable with this circuit configuration and can be better than ±0.1% over a limited operating range.

FAST LOGARITHMIC AMPLIFIER

The circuit of Figure 7 is a modification of a standard logarithmic amplifier configuration. Running the MAT02 at 2.5 mA per side (full-scale) allows a fast response with wide dynamic range. The circuit has a 7 decade current range, a 5 decade voltage range, and is capable of 2.5 μs settling time to 1% with a 1 V to 10 V step.

The output follows the equation:

$$V_O = \frac{R_3 + R_2}{R_2} \frac{kT}{q} \ln \frac{V_{REF}}{V_{IN}} \quad (21)$$

The output is inverted with respect to the input, and is nominally -1 V/decade using the component values indicated.

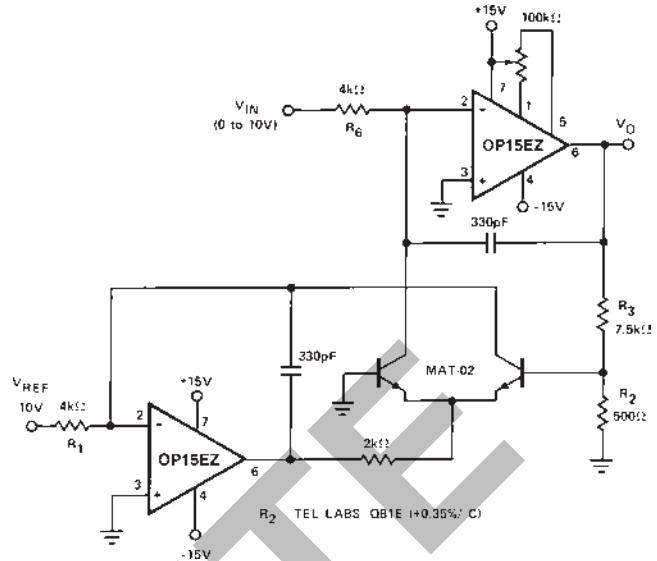


Figure 7. Fast Logarithmic Amplifier

LOW-NOISE ×1000 AMPLIFIER

The MAT02 noise voltage is exceptionally low, only 1 nV/√Hz at 10 Hz when operated over a collector current range of 1 mA to 4 mA. A single-ended ×1000 amplifier that takes advantage of this low MAT02 noise level is shown in Figure 8. In addition to low noise, the amplifier has very low drift and high CMRR. An OP184 is used for the second stage to obtain good speed with minimal power consumption. Small-signal bandwidth is 4.0 MHz, slew rate is 2.4 V/μs, and total supply current is approximately 2.25 mA.

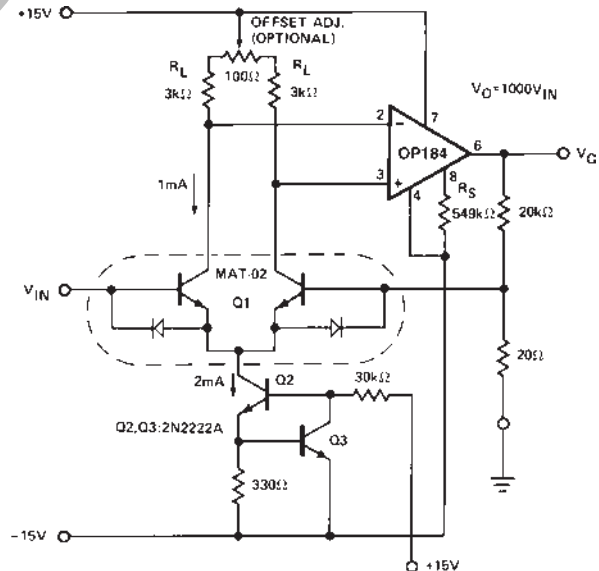


Figure 8. Low-Noise, Single-Ended × 1000 Amplifier

Transistors Q2 and Q3 form a 2 mA current source ($0.65 \text{ V} / 330 \Omega \sim 2 \text{ mA}$). Each collector of Q1 operates at 1 mA. The OP184 inputs are 3 V below the positive supply voltage ($R_L I_C \sim 3 \text{ V}$). Input stage gain is $g_m R_L$, which is approximately 100 when operating at I_C of 1 mA with R_L of 3 k Ω . Since the OP184 has a minimum open-loop gain of 500,000, total open-loop gain for the composite amplifier is over 50 million. Even at closed-loop gain of 1000, the gain error due to finite open-loop gain will be negligible. The OP184 features excellent symmetry of slew-rate and very linear gain. Signal distortion is minimal.

Dynamic range of this amplifier is excellent; the OP184 has an output voltage swing of $\pm 14.8 \text{ V}$ with a $\pm 15 \text{ V}$ supply.

Input characteristics are outstanding. The MAT02F has offset voltage of less than 150 μV at 25°C and a maximum offset drift of 1 $\mu\text{V}/^\circ\text{C}$. Nulling the offset will further reduce offset drift. This can be accomplished by slightly unbalancing the collector load resistors. This adjustment will reduce the drift to less than 0.1 $\mu\text{V}/^\circ\text{C}$.

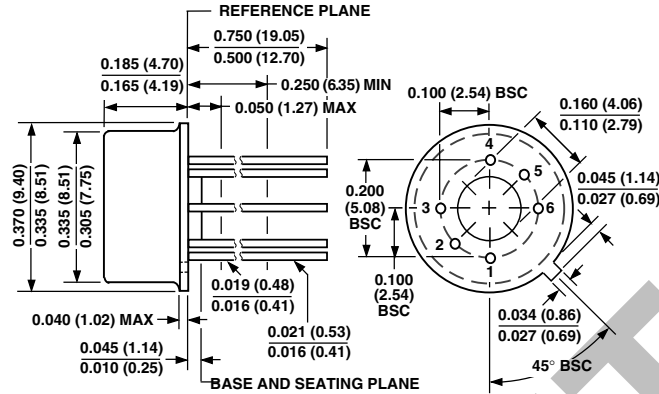
Input bias current is relatively low due to the high current gain of the MAT02. The minimum β of 400 at 1 mA for the MAT02F implies an input bias current of approximately 2.5 μA . This circuit should be used with signals having relatively low source impedance. A high source impedance will degrade offset and noise performance.

This circuit configuration provides exceptionally low input noise voltage and low drift. Noise can be reduced even further by raising the collector currents from 1 mA to 3 mA, but power consumption is then increased.

OBSOLETE

OUTLINE DIMENSION
 Dimensions shown in inches and (mm).

**6-Lead Metal Can
 (TO-78)**



Revision History

Location	Page
4/02—Data Sheet changed from REV. D to REV. E.	
Changes to ORDERING GUIDE	3
1/02—Data Sheet changed from REV. C to REV. D.	
Edits to FEATURES	1
Edits to ABSOLUTE MAXIMUM RATINGS	1
Edits to ORDERING GUIDE	1
Deleted ELECTRICAL CHARACTERISTICS	3
Deleted WAFER TEST LIMITS	4
Deleted TYPICAL ELECTRICAL CHARACTERISTICS	4
Deleted DICE CHARACTERISTICS	4
Edits to ABSOLUTE MAXIMUM RATINGS	4
Edits to text	12
Updated Figures	12