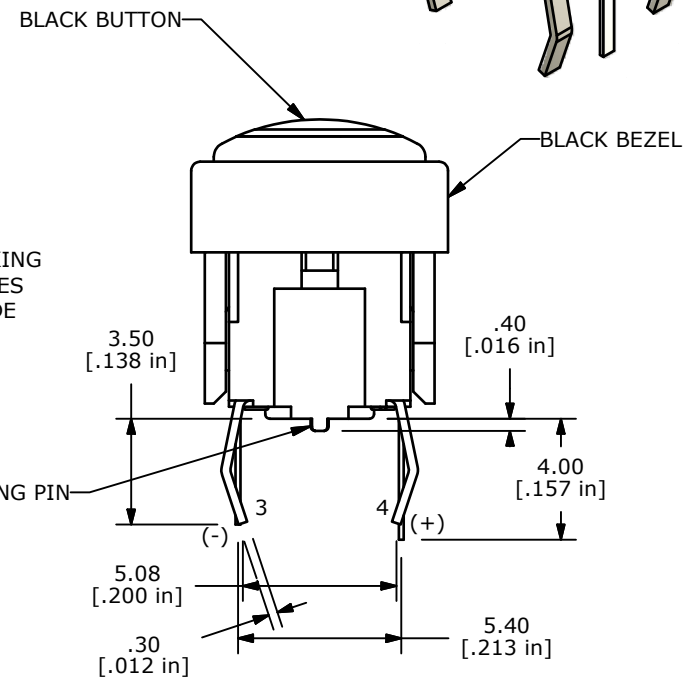
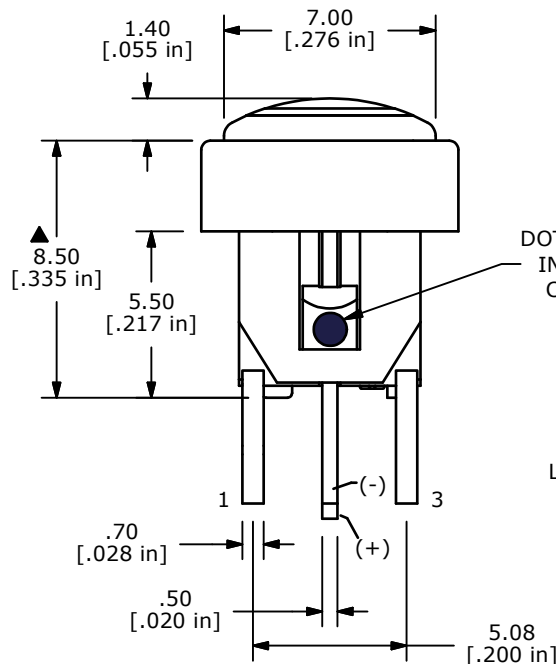
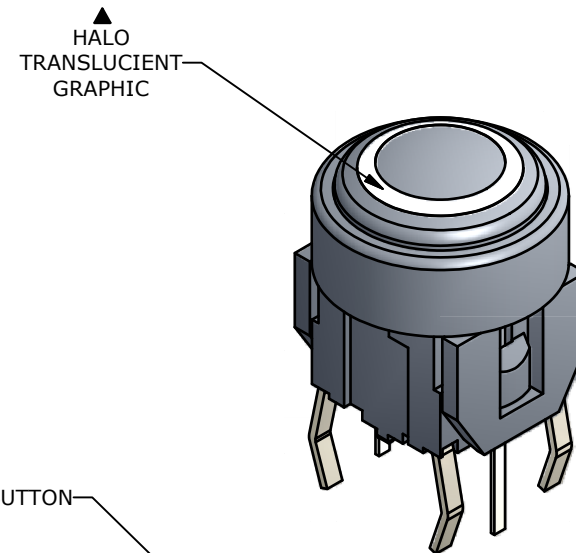
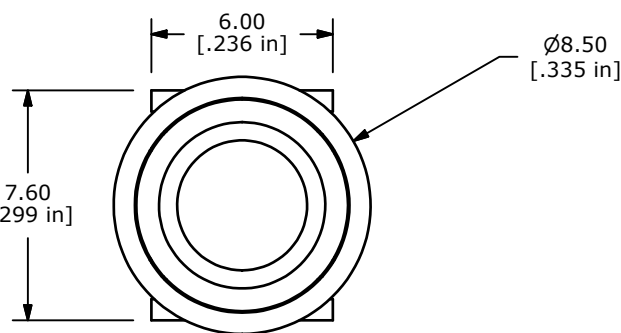
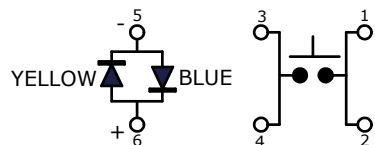
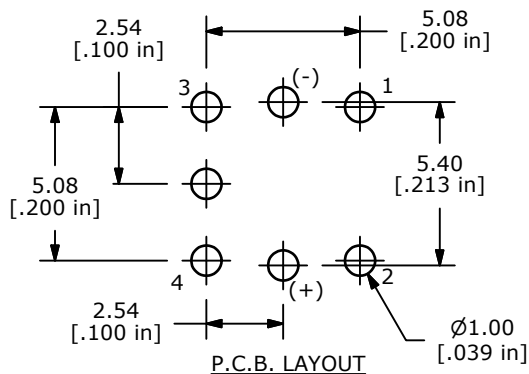


▲ LED SPECS	UNITS	YELLOW	BLUE
FORWARD CURRENT	mA	20	20
FORWARD VOLTAGE @ 20mA	V	2.0 - 2.5	2.9-4.0
LUMINOUS INTENSITY @ 20mA	MCD	120	15



NOTES:

1. ALL DIMENSIONS IN MM [INCH]
2. GENERAL TOLERANCE: X.X=±0.4
X.XX=±0.25
3. RATING: 12VDC @ 50mA
4. CONTACT RESISTANCE: 100mΩ MAX.
5. INSULATION RESISTANCE: 100MΩ MIN.
- ▲6. OPERATING FORCE: 180±50gf
7. TRAVEL: 0.2±0.1mm
8. OPERATING TEMPERATURE: -20°C TO 70°C
9. OPERATING LIFE: 500,000 CYCLES
- ▲10. LED COLOR: YELLOW / BLUE
11. ▲ DENOTES CRITICAL PARAMETERS
12. 2002/95/EC (ROHS) COMPLIANT
13. PARTS TO BE PACKAGE 100 PARTS PER TRAY.



A	20480	RELEASE FOR PRODUCTION	02/15/12	BMA
REV	PCR NO	DESCRIPTION	DATE	BY

TITLE TL1220R1BBBYB-HALO				
SCALE	DATE	DR	DWG	REV
4	2/15/2012	BMA	B260019	A

THE INFORMATION CONTAINED IN THIS DOCUMENT IS PROPRIETARY TO E-SWITCH AND IS NOT TO BE COPIED OR TRANSFERRED