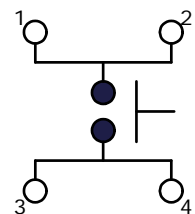
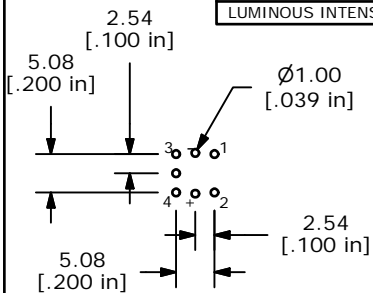


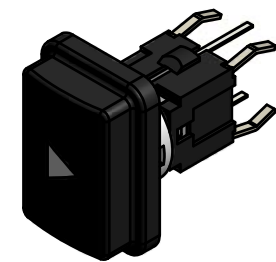
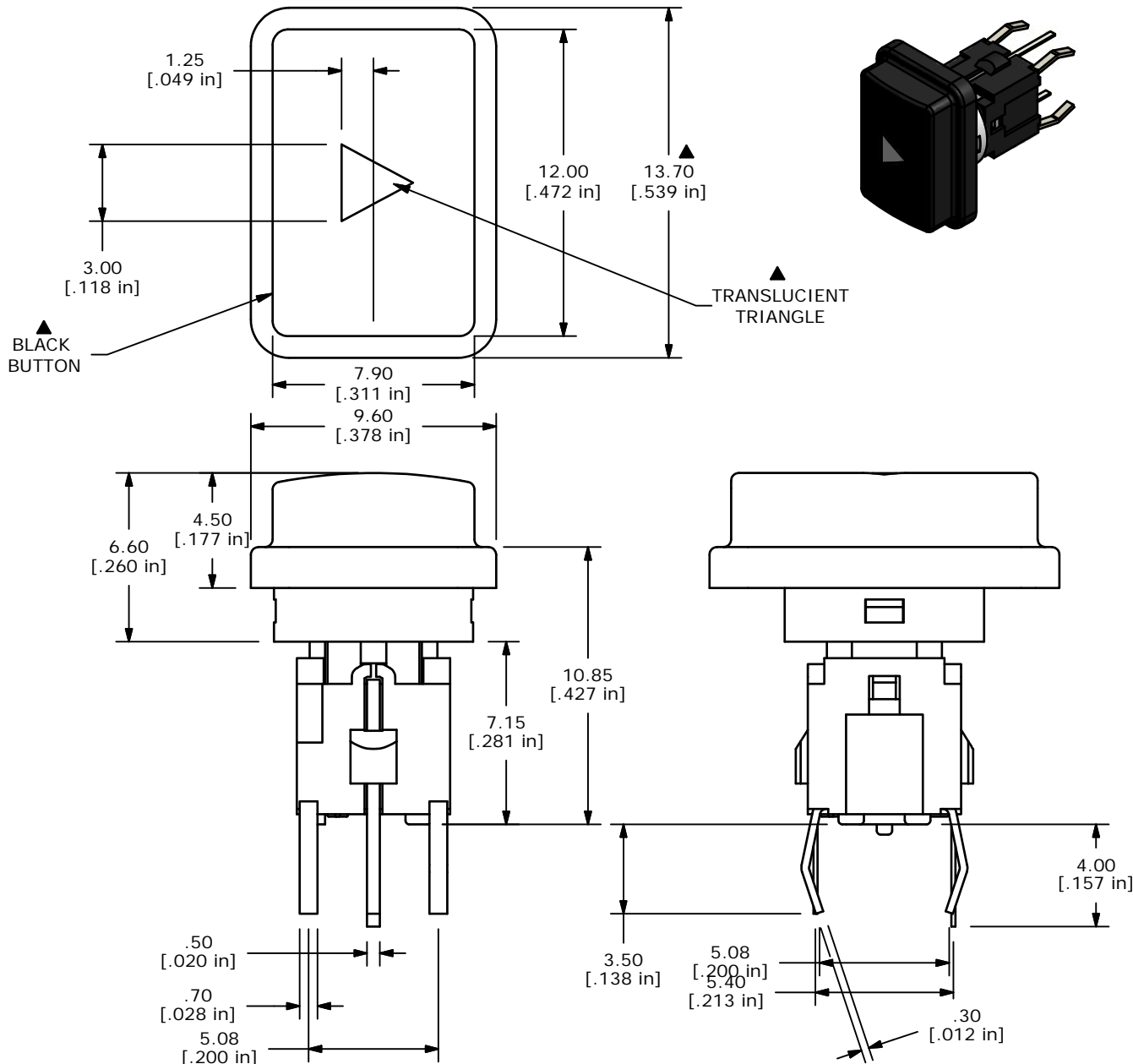
| LED SPECS | UNITS | RED ▲ |
|---------------------------|-------|----------|
| FORWARD CURRENT | mA | 20 |
| FORWARD VOLTAGE @20mA | V | 1.95-2.5 |
| LUMINOUS INTENSITY @ 20mA | MCD | 3000 |



CIRCUIT: SPST ▲

NOTES:

1. ALL DIMENSIONS IN MM [INCH]
2. GENERAL TOLERANCE: X.X=±0.4
X.XX=±0.25
3. RATING: 12VDC @ 50mA
4. CONTACT RESISTANCE: 100mΩ MAX.
5. INSULATION RESISTANCE: 100MΩ MIN.
- ▲ 6. OPERATING FORCE: 180± 50gf
7. TRAVEL: 0.2±0.1mm
8. OPERATING TEMPERATURE: -20°C TO 70°C
9. OPERATING LIFE: 500,000 CYCLES
- ▲ 10. LED: RED
11. ▲ DENOTES CRITICAL PARAMETERS
12. 2002/95/EC (ROHS) COMPLIANT
13. PARTS TO BE PACKAGED 50 PARTS PER TRAY. ☉



| REV | PCR NO | DESCRIPTION | DATE | BY |
|-----|--------|----------------------------|----------|----|
| B | 21623 | CHG NOTE 13 FROM 126 TO 50 | 10/14/14 | AS |
| A | 18423 | New Release | 2/25/09 | rc |

| | | | | |
|-----------------------------|-----------|----|---------|-----|
| TITLE TL1220S3NNBR-Triangle | | | | |
| SCALE | DATE | DR | DWG | REV |
| 4 | 1/27/2009 | rc | B260005 | B |

THE INFORMATION CONTAINED IN THIS DOCUMENT IS PROPRIETARY TO E-SWITCH AND IS NOT TO BE COPIED OR TRANSFERRED