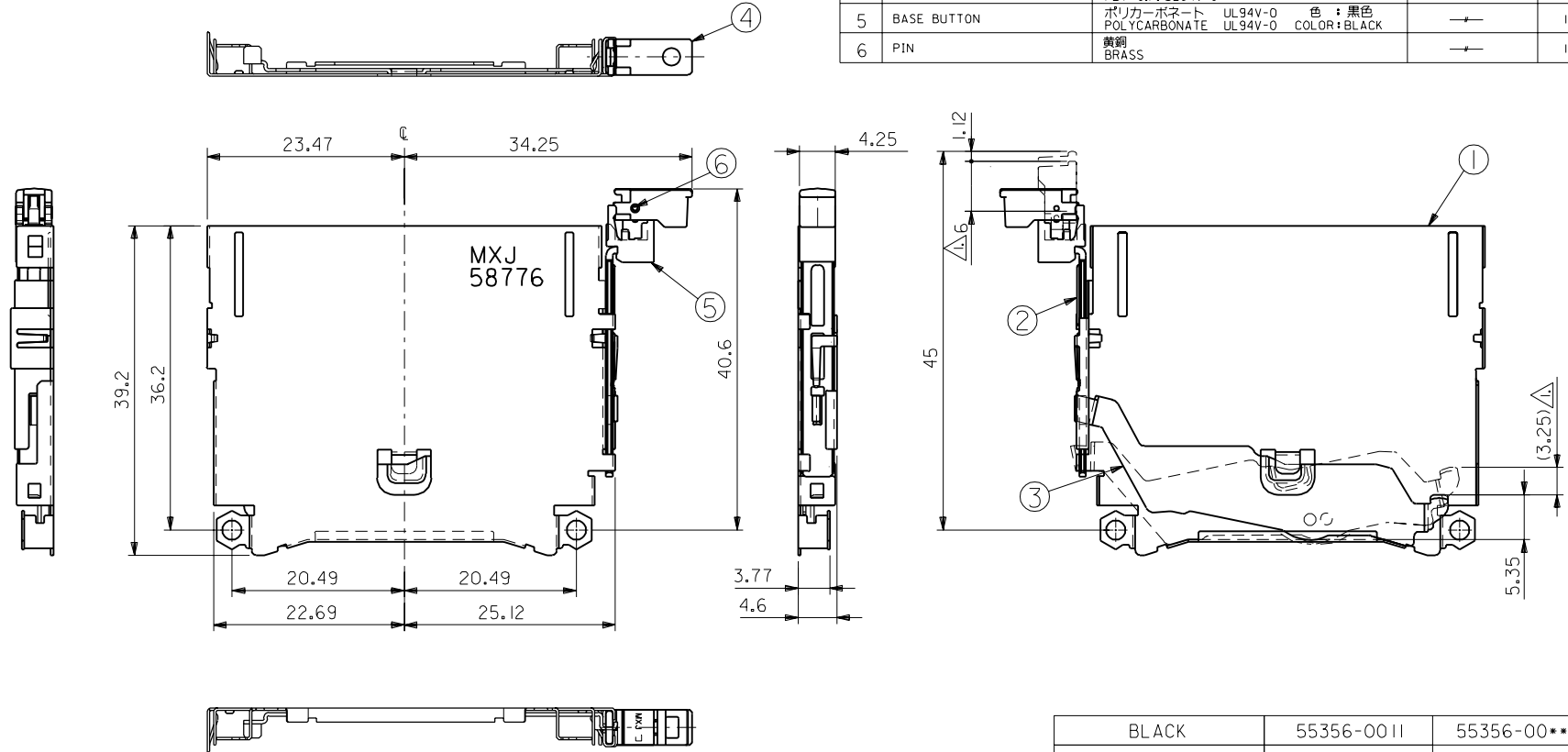


DWG. NO. SD-55356-002

No.	品名 NAME	材料 MATERIAL	仕上げ FINISH	個数 PIECE
1	METAL SHELL	ステンレス鋼 t0.3 STAINLESS STEEL t0.3	—	1
2	ROD	ステンレス鋼 t0.8 STAINLESS STEEL t0.8	—	1
3	LEVER	ステンレス鋼 t0.4 STAINLESS STEEL t0.4	—	1
4	TOP BUTTON	ガラス入りポリエステル UL94V-0 PBT G.F. UL94V-0	—	1
5	BASE BUTTON	ポリカーボネート UL94V-0 色 : 黒色 POLYCARBONATE UL94V-0 COLOR:BLACK	—	1
6	PIN	黄銅 BRASS	—	1



DO NOT SCALE DRAWING

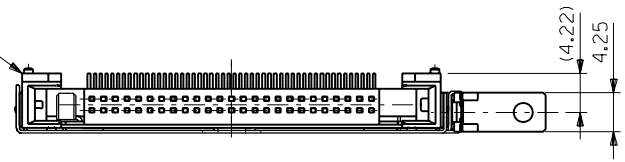
EC NO. DRWN: CHK: APPR:	EC NO. DRWN: CHK: APPR:	EC NO. DRWN: CHK: APPR:	REVISED EC No. JD90581 DRWN: TANAKA '98/10/20 CHK: MSASAO '98/10/20 APPR: HIKESUGI '98/10/20	RELEASED EC No. JD90218 DRWN: TANAKA '98/08/18 CHK: MSASAO '98/08/18 APPR: HIKESUGI '98/08/18	DESCRIPTION	MATERIAL 材料	GENERAL TOLERANCES: (UNLESS SPECIFIED) 一般公差	SCALE 2-1	DESIGN UNITS <input checked="" type="checkbox"/> mm <input type="checkbox"/> INCH	THIRD ANGLE PROJECTION	DIMENSIONS: <input type="checkbox"/> mm <input type="checkbox"/> INCH <input checked="" type="checkbox"/> mm ONLY	SHT REV
					SEE CHART	FINISH 仕上り	10 UNDER 未満	+0.2	DRAWN BY & DATE <i>M. Tanaka</i> '98/08/18	TITLE: CF CARD CONN. EJECT MECHANISM METAL SHELL ASS'Y (FOR LEFT SIDE BUTTON)		REVISE ON CAD ONLY
						WIRE RANGE 適用線径範囲	10 OVER 以上	+0.25	CHECKED BY & DATE <i>H. Saito</i> '98/08/18			
						INS. RANGE 被覆外径	30 UNDER 未満	+0.3	APPROVED BY & DATE <i>H. Saito</i> '98/08/18			
							30 OVER 以上	+3°	CAD FILENAME 55356002.S01	MATERIAL NO. SEE CHART	DRAWING NO. SD-55356-002	SHEET NO. 1 OF 2
							ANGLE 角度		THIS DRAWING CONTAINS INFORMATION THAT IS PROPRIETARY TO MOLEX INCORPORATED AND SHOULD NOT BE USED WITHOUT WRITTEN PERMISSION.			

BLACK	55356-0011	55356-00**
TOP BUTTON COLOR	MATERIAL No.	MODEL No.

MOLEX INCORPORATED

DWG. NO. SD-55356-002

△ HDR ASS'Y
55341-5010
(55340-5010)

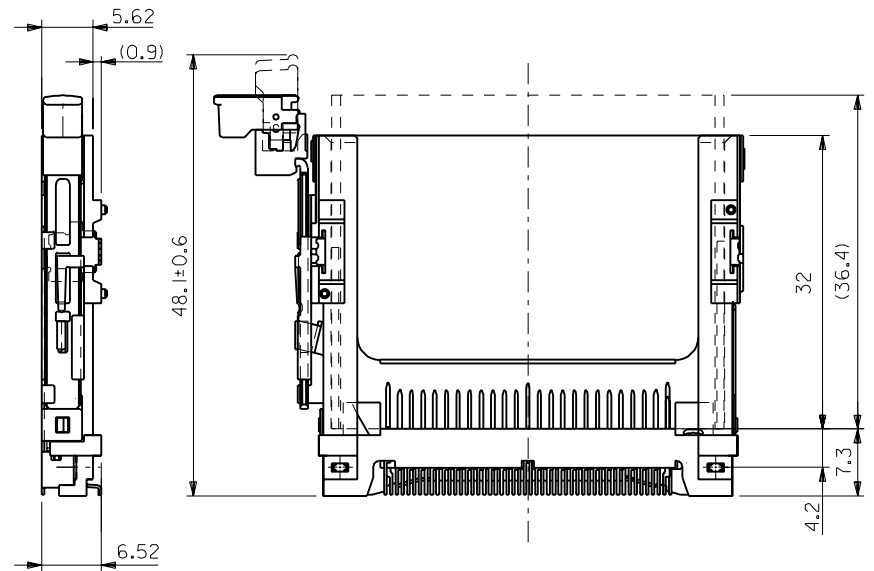
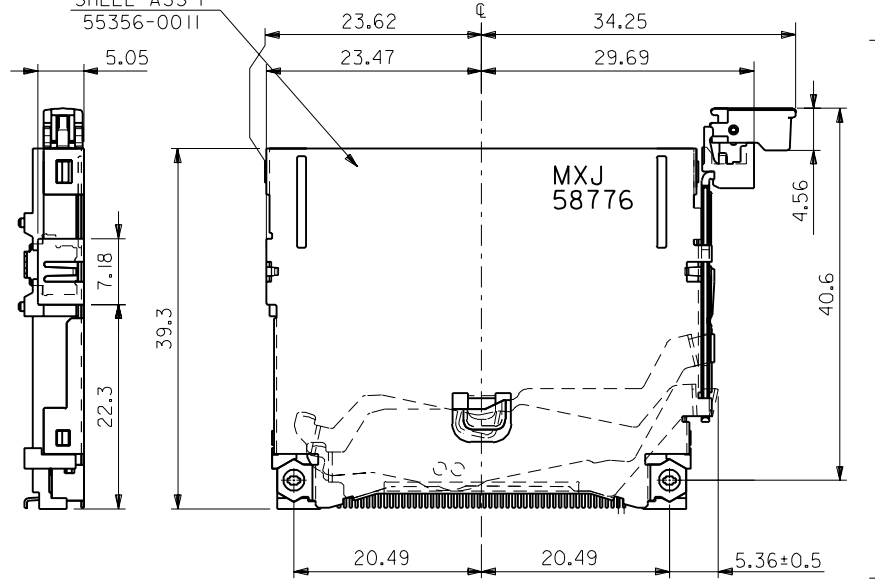


REFERENCE USE ONLY

注)
NOTES

- △1 ボタンストロークが 6mm の時、カード飛び出し量は (3.25mm)。
WHEN BUTTON PUSH STROKE IS 6mm, CARD OUT BY (3.25mm).
- 2. 適合 HEADER ASS'Y : 55340-5010(REVERSE), 55341-5010(NORMAL)
APPLICABLE HEADER ASS'Y : 55340-5010(REVERSE), 55341-5010(NORMAL)
- △3 SD-55341-003 (SD-55340-003) 参照
SEE SD-55341-003 (SD-55340-003)

SHELL ASS'Y
55356-0011



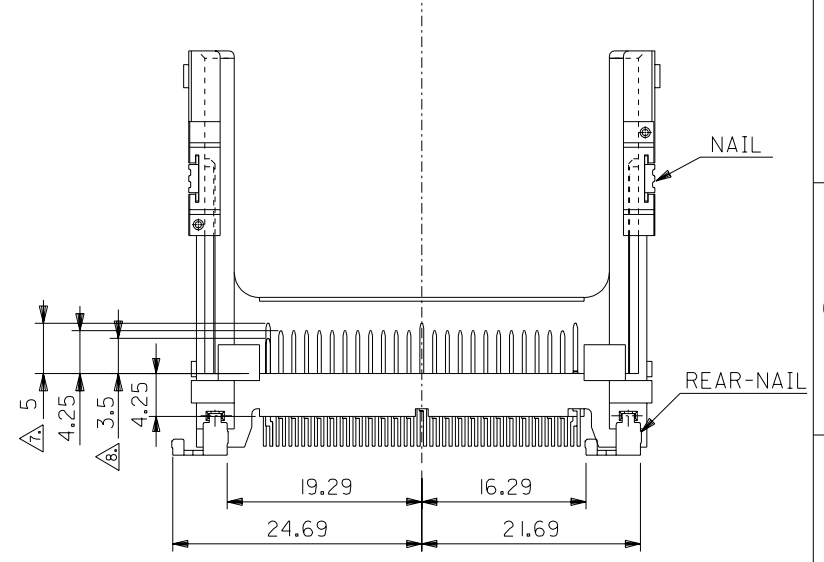
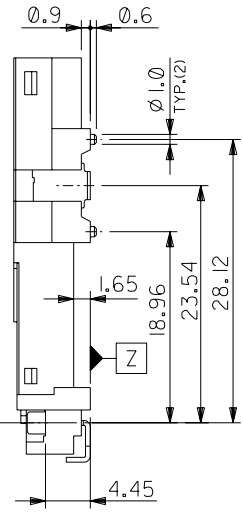
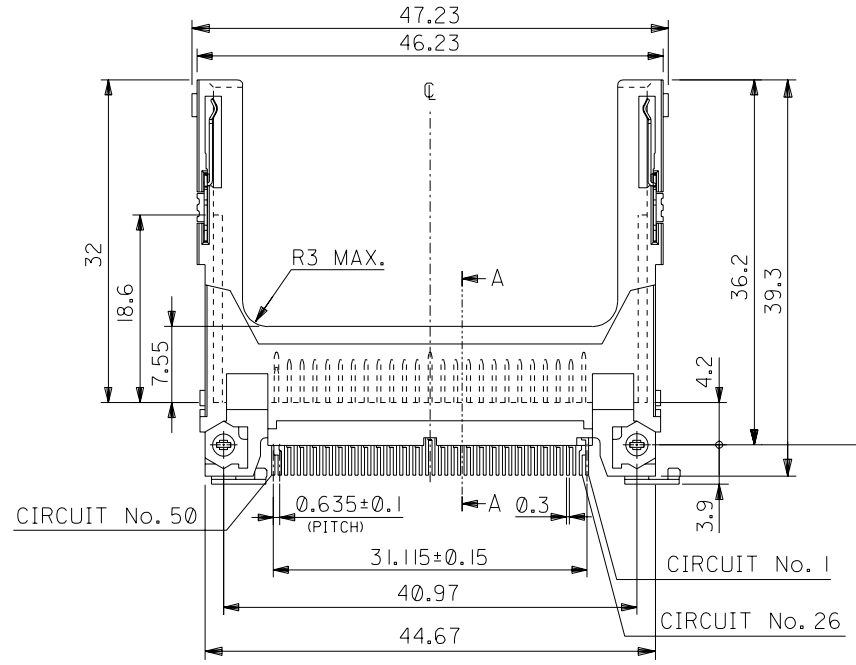
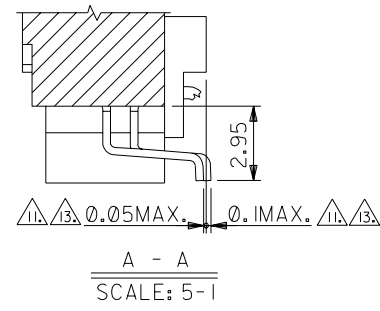
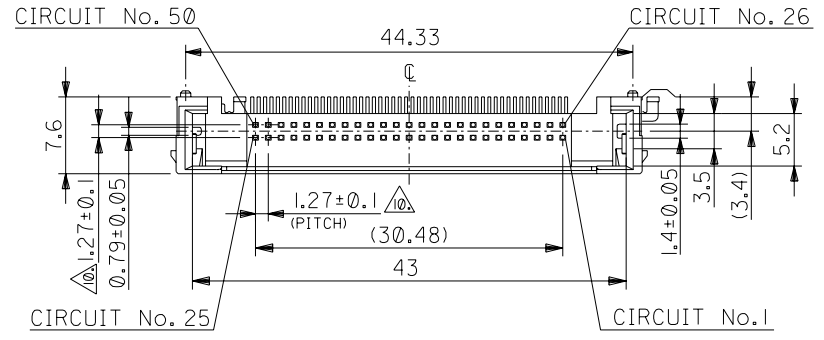
DO NOT SCALE DRAWING

EC NO. DRWN: CHK: APPR:	EC NO. DRWN: CHK: APPR:	EC NO. DRWN: CHK: APPR:	EC NO. DRWN: CHK: APPR:	A	0	REV
SHEET 1 OF 2 参照 SEE SHEET 1 OF 2						
DESCRIPTION		MATERIAL 材料		-		
FINISH 仕上り				-		
WIRE RANGE 適用線径範囲				-		
INS. RANGE 被覆外径				-		

GENERAL TOLERANCES: (UNLESS SPECIFIED) 一般公差		SCALE	DESIGN UNITS	DIMENSIONS:		SHT	REV
10 UNDER 未満	+0.2	2 - 1	<input checked="" type="checkbox"/> mm <input type="checkbox"/> INCH	<input type="checkbox"/> mm <input type="checkbox"/> INCH	<input checked="" type="checkbox"/> mm ONLY		REVISE ON CAD ONLY
10 OVER 以上	+0.25						
30 UNDER 未満							
30 OVER 以上	+0.3						
ANGLE 角度	+3°						

DRAWN BY & DATE <i>M. Yanaka</i> '98/08/18		CHECKED BY & DATE <i>H. Saito</i> '98/08/18		APPROVED BY & DATE <i>H. Saito</i> '98/08/18		TITLE: CF CARD CONN. EJECT MECHANISM METAL SHELL ASS'Y (FOR LEFT SIDE BUTTON)	
CAD FILENAME 55356002.S02		MATERIAL NO. SEE SHEET 1 OF 2		DRAWING NO. SD-55356-002		SHEET NO. 2	
THIS DRAWING CONTAINS INFORMATION THAT IS PROPRIETARY TO MOLEX INCORPORATED AND SHOULD NOT BE USED WITHOUT WRITTEN PERMISSION.							

DWG. NO. SD-55358-011



DO NOT SCALE DRAWING

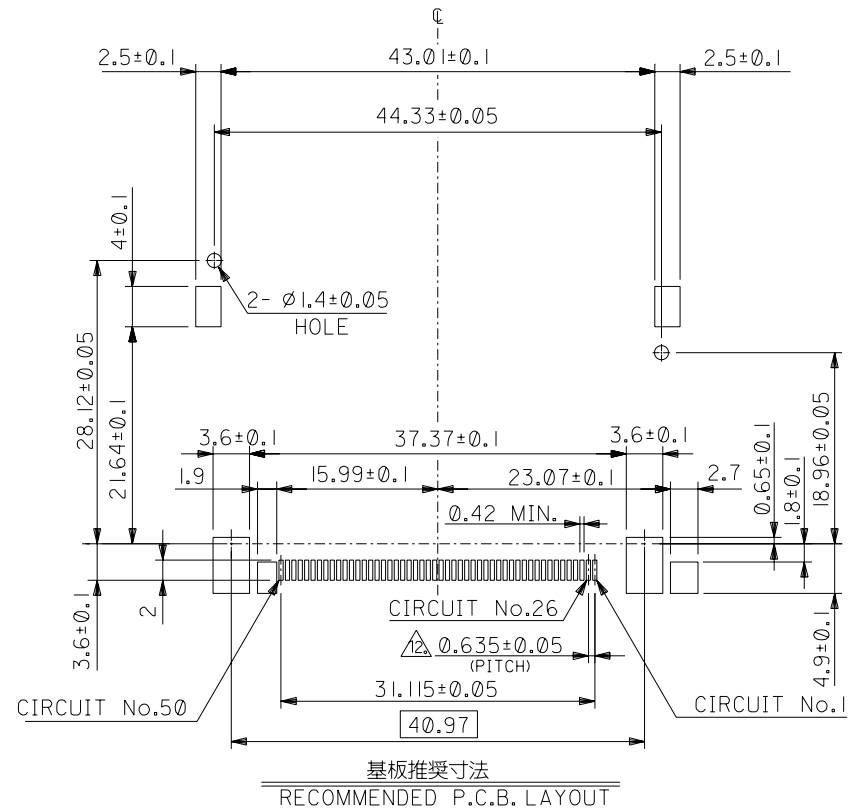
EC NO. DRWN: CHK: APPR:	EC NO. DRWN: CHK: APPR:	EC NO. DRWN: CHK: APPR:	EC NO. DRWN: CHK: APPR:	EC NO. DRWN: CHK: APPR:	
RELEASED					
EC NO. J2002-3139					
DRWN: THANYU '02/06/17					
CHK: MSASAO '02/06/17					
APPR: MSASAO '02/06/17					
REV	DESCRIPTION	MATERIAL 材料	SEE NOTES		
0	FINISH 仕上り		SEE NOTES		
	WIRE RANGE 適用電線範囲	#			
	INS. RANGE 被覆外径	#			

GENERAL TOLERANCES: (UNLESS SPECIFIED) 一般公差	SCALE 2 - 1	DESIGN UNITS <input checked="" type="checkbox"/> mm <input type="checkbox"/> INCH	THIRD ANGLE PROJECTION <input checked="" type="checkbox"/> THIRD ANGLE	DIMENSIONS: <input type="checkbox"/> mm <input type="checkbox"/> INCH <input checked="" type="checkbox"/> mm ONLY	SHT REV
10 UNDER 未満	±0.2	DRAWN BY & DATE T. Hamura '02/06/17	TITLE: CF CARD CONN. 50P HEADER ASS'Y (TYPE I/II, NORMAL)		
10 OVER 30 UNDER 以上 未満	±0.25	CHECKED BY & DATE H. Sasaki '02/06/17	MOLEX INCORPORATED		
30 OVER 以上	±0.3	APPROVED BY & DATE H. Sasaki '02/06/17	CAD FILENAME SD-55358-011.S01	MATERIAL NO. SEE CHART	DRAWING NO. SD-55358-011
ANGLE 角度	±3°	THIS DRAWING CONTAINS INFORMATION THAT IS PROPRIETARY TO MOLEX INCORPORATED AND SHOULD NOT BE USED WITHOUT WRITTEN PERMISSION.			SHEET NO. 1 OF 3
					SIZE B

DWG. NO. SD-55358-011

- 注) 1. 材質 MATERIAL
 ハウジング: ガラス入りLCP UL94V-0
 HOUSING: LIQUID CRYSTAL POLYMER G.F. UL94V-0
 ピン: リン青銅
 PIN: PHOSPHOR BRONZE
 ネール: リン青銅 (t0.3)
 NAIL: PHOSPHOR BRONZE (t0.3)
 リヤネール: リン青銅 (t0.48)
 REAR-NAIL: PHOSPHOR BRONZE (t0.48)
2. メッキ仕様 PLATING
 ピン PIN 接点部: パラジウムニッケル下地、金メッキ
 CONTACT AREA: GOLD OVER PALLADIUM-NICKEL
 半田付け部: 半田メッキ
 SOLDER TAIL AREA: TIN-LEAD
 下地メッキ: ニッケルメッキ
 UNDERPLATING: NICKEL OVER ALL
 ネール NAIL 接点部: 金メッキ
 CONTACT AREA: GOLD
 半田付け部: 半田メッキ
 SOLDER TAIL AREA: TIN-LEAD
 下地メッキ: ニッケルメッキ
 UNDERPLATING: NICKEL OVER ALL
 リヤネール REAR-NAIL 半田メッキ
 TIN-LEAD
 下地メッキ: 銅メッキ
 UNDERPLATING: COPPER OVER ALL
3. 推奨基板厚: t=0.8 MIN.
 RECOMMENDED P.C.B. THICKNESS: t=0.8 MIN.
4. 適合カード厚: 3.3±0.1 (TYPE I) AND 5 MAX. (TYPE II)
 RECOMMENDED CARD THICKNESS: 3.3±0.1 (TYPE I) AND 5 MAX. (TYPE II)
5. 適合カード幅: 42.8±0.1
 RECOMMENDED CARD WIDTH: 42.8±0.1
6. ハウジング色: 黒
 HOUSING COLOR: BLACK
- △7. 寸法適用極: 1,13,38,50
 THIS DIMENSION APPLIES TO CIRCUIT NUMBERS 1,13,38 AND 50.
- △8. 寸法適用極: 25,26
 THIS DIMENSION APPLIES TO CIRCUIT NUMBERS 25 AND 26.
- △9. ピンの倒れは、ピン根元を基準に全方向へ0.1 MAX.とする。
 PIN TIP LEAN TOWARD ANY DIRECTION NOT TO EXCEED 0.1 WHEN MEASURED FROM PIN BASE.
- △10. ピン根元に適用する。
 THIS DIMENSION TO BE MEASURED AT PIN BASE.

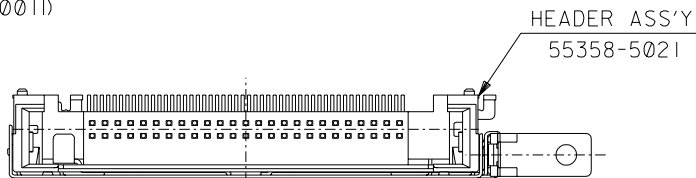
- △11. ソルダータールは、Z面を基準とし上へ0.05下へ0.1の範囲にあり、且ツソルダータールの平坦度は、0.1 MAX.とし、テール先端にて測定する。
 SOLDER TAILS TO BE WITHIN 0.05 UPWARD AND 0.1 DOWNWARD FROM Z-DATUM PLACE, AND COPLANARITY OF SOLDER TAILS TO BE WITHIN 0.1. MEASUREMENT POINT IS SOLDER TAILS TIP.
- △12. 公差非累積
 NON-CUMULATIVE
- △13. テールとネール、リヤネールを併せた平坦度は、0.1 MAX.とする。
 TOTAL COPLANARITY OF SOLDER TAILS, NAILS AND REAR-NAILS TO BE 0.1 MAX.



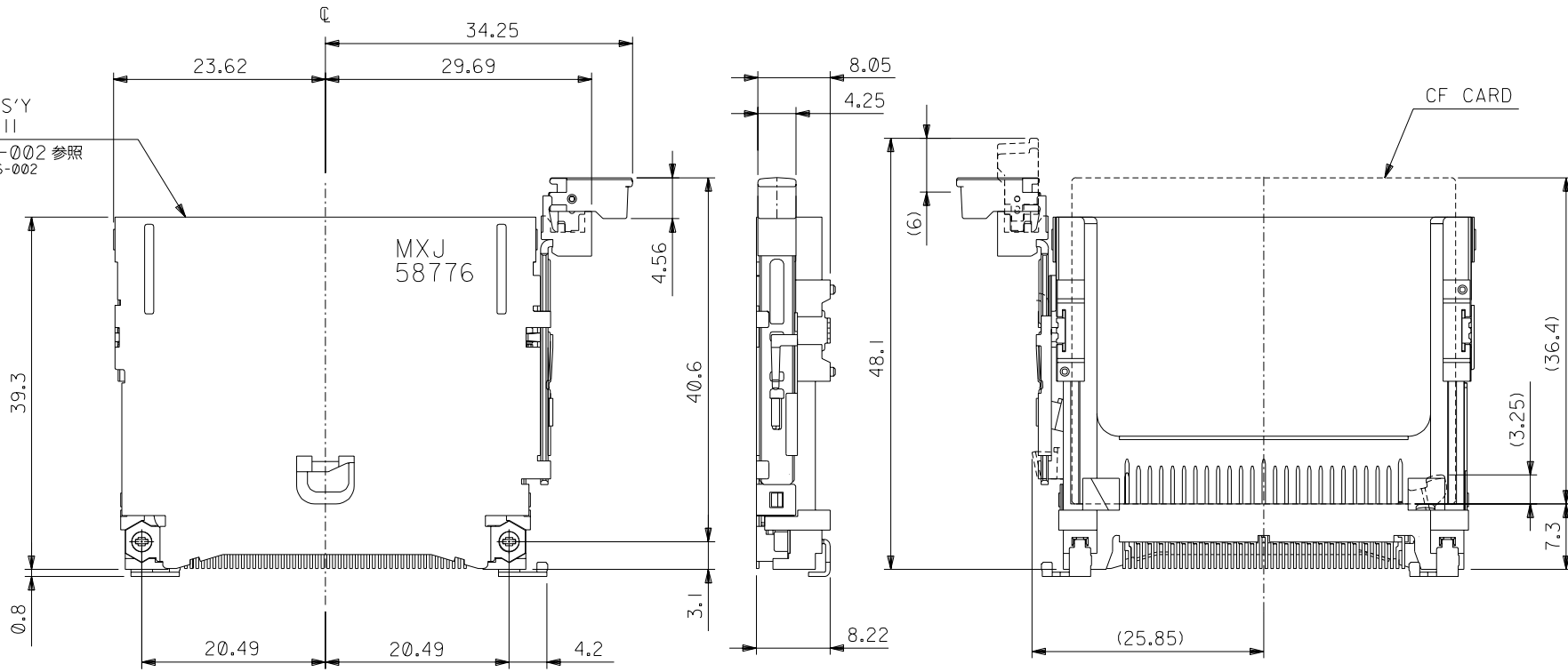
DO NOT SCALE DRAWING	EC NO. / DRWN: / CH'K: / APPR:					REV	MATERIAL 材料		GENERAL TOLERANCES: (UNLESS SPECIFIED) 一般公差		SCALE 2 - 1		DESIGN UNITS <input checked="" type="checkbox"/> mm <input type="checkbox"/> INCH		THIRD ANGLE PROJECTION <input checked="" type="checkbox"/> THIRD ANGLE		DIMENSIONS: <input type="checkbox"/> mm <input type="checkbox"/> INCH <input checked="" type="checkbox"/> mm ONLY		SHT	REV
	SEE NOTES						FINISH 仕上げ		10 UNDER 未満 ±0.2		DRAWN BY & DATE T. Hamaya '02/06/17		TITLE: CF CARD CONN. 50P HEADER ASS'Y (TYPE I/II, NORMAL)		MOLEX INCORPORATED					
	SEE NOTES						WIRE RANGE 適用電線範囲		10 OVER 以上 30 UNDER 未満 ±0.25		CHECKED BY & DATE H. Sato '02/06/17		APPROVED BY & DATE H. Sato '02/06/17		CAD FILENAME SD-55358-011.S02		MATERIAL NO. / DRAWING NO. SD-55358-011		SHEET NO. 2	SIZE B
	SEE NOTES						ANGLE 角度		30 OVER 以上 ±0.3								THIS DRAWING CONTAINS INFORMATION THAT IS PROPRIETARY TO MOLEX INCORPORATED AND SHOULD NOT BE USED WITHOUT WRITTEN PERMISSION.			
																	EN-02J(097) MXJ-54			

REFERENCE USE ONLY

NORMAL MOUNT TYPE
(55358-5021 & 55356-0011)



SHELL ASS'Y
55356-0011
SD-55356-002 参照
SEE SD-55356-002



DO NOT SCALE DRAWING

EC NO. DRWN: CHK: APPR:	EC NO. DRWN: CHK: APPR:	EC NO. DRWN: CHK: APPR:	EC NO. DRWN: CHK: APPR:	SEE SHEET 1 OF 3
EC NO. DRWN: CHK: APPR:	EC NO. DRWN: CHK: APPR:	EC NO. DRWN: CHK: APPR:	EC NO. DRWN: CHK: APPR:	0

DESCRIPTION	MATERIAL 材料	FINISH 仕上り	WIRE RANGE 適用電線範囲	INS. RANGE 被覆外径
	#	#	#	#

GENERAL TOLERANCES: (UNLESS SPECIFIED) 一般公差	
10 UNDER 未満	±0.2
10 OVER 30 UNDER 以上 未満	±0.25
30 OVER 以上	±0.3
ANGLE 角度	±3°

SCALE 2 - 1	DESIGN UNITS <input checked="" type="checkbox"/> mm <input type="checkbox"/> INCH
DRAWN BY & DATE T. Hamura '02/06/17	
CHECKED BY & DATE H. Sato '02/06/17	
APPROVED BY & DATE [Signature] '02/06/17	
CAD FILENAME SD-55358-011.S03	MATERIAL NO. #

DIMENSIONS: <input type="checkbox"/> mm <input type="checkbox"/> INCH <input checked="" type="checkbox"/> mm ONLY		SHT REVISE ON CAD ONLY
THIRD ANGLE PROJECTION		
TITLE: CF CARD CONN. 50P HEADER ASS'Y (TYPE I/II,NORMAL)		
MOLEX INCORPORATED		
DRAWING NO. SD-55358-011	SHEET NO. 3	SIZE B

THIS DRAWING CONTAINS INFORMATION THAT IS PROPRIETARY TO MOLEX INCORPORATED AND SHOULD NOT BE USED WITHOUT WRITTEN PERMISSION.