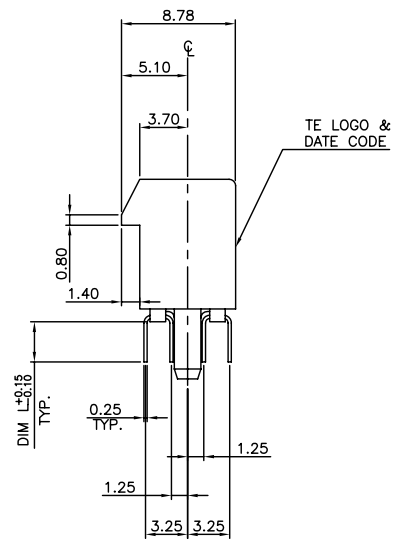
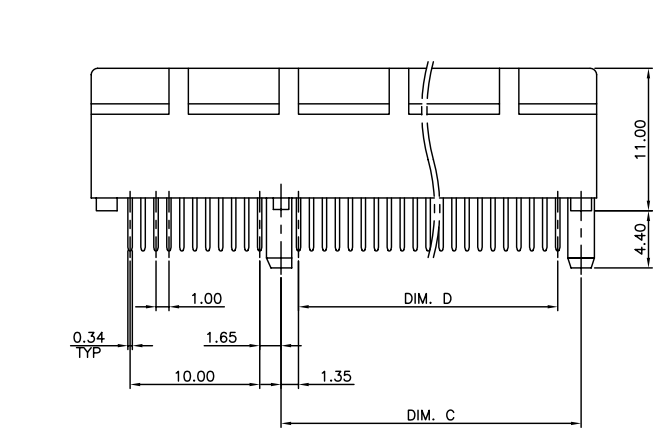
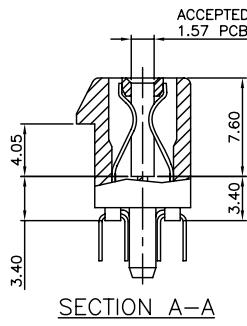
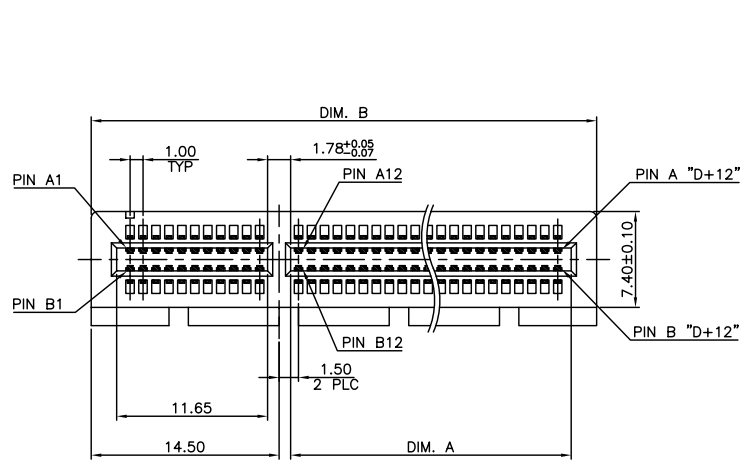
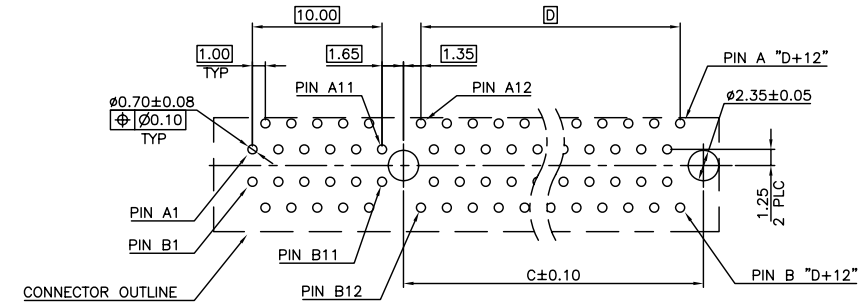


THIS DRAWING IS UNPUBLISHED. RELEASED FOR PUBLICATION AUG ,2006.  
 © COPYRIGHT BY TYCO ELECTRONICS CORPORATION. ALL RIGHTS RESERVED.

LOC		DIST		REVISIONS			
P	LTR	DESCRIPTION		DATE	DWN	APVD	
DW	-	F1	REVISED (ECR-09-015898)	15JUL09	BH	WK	

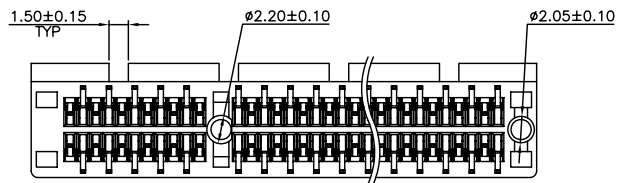


- NOTE:
- MATERIAL:  
HOUSING: 1.PA46 UL 94V-0, COLOR: (SEE TABLE).  
2.PA9T UL 94V-0, COLOR: (SEE TABLE).  
CONTACTS: PHOSPHOR BRONZE.
  - FINISH:  
CONTACTS: (SEE TABLE) GOLD PLATED ON CONTACT AREA, 2.54um [100u"] MIN. MATTE-TIN ON SOLDER TAIL, WITH ENTIRE CONTACT UNDERPLATED 1.27um [50u"] MIN. NICKEL.
  - PIN-IN-PASTE CAPABLE TO 265°C IN ACCORDANCE WITH TEST SPECIFICATIONS 109-201 AND 109-202.
  - CONNECTOR HAS MET THE REQUIREMENTS PER PCI EXPRESS GEN 2 TECHNICAL DOCUMENT.
  - WEIGHT:  
36 POS.: 2.55 GRAMS  
64 POS.: 3.90 GRAMS  
98 POS.: 5.50 GRAMS  
164 POS.: 8.80 GRAMS



RECOMMENDED PCB LAYOUT

TOLERANCE: ±0.05,  
 FOR DIM.L=3.1mm PCB THICKNESS: 2.4mm  
 FOR DIM.L=2.3mm PCB THICKNESS: 1.6mm



THIS DRAWING IS A CONTROLLED DOCUMENT.		DWN B. HSING	15JUL2009	Tyco Electronics Corporation Taipei, Taiwan													
DIMENSIONS: MM		CHK S. CHIEN	15JUL2009	NAME													
TOLERANCES UNLESS OTHERWISE SPECIFIED:		APVD W. KODAMA	15JUL2009	PCI EXPRESS CARD EDGE V-TYPE, 3GIO													
<table border="0"> <tr><td>0 PLC</td><td>± -</td></tr> <tr><td>1 PLC</td><td>± 0.30</td></tr> <tr><td>2 PLC</td><td>± 0.20</td></tr> <tr><td>3 PLC</td><td>± 0.15</td></tr> <tr><td>4 PLC</td><td>± -</td></tr> <tr><td>ANGLES</td><td>± -</td></tr> </table>		0 PLC	± -	1 PLC	± 0.30	2 PLC	± 0.20	3 PLC	± 0.15	4 PLC	± -	ANGLES	± -	PRODUCT SPEC 108-57351	QUALIFICATION TEST REPORT 501-57446	SIZE A3	CAGE CODE 00779
0 PLC	± -																
1 PLC	± 0.30																
2 PLC	± 0.20																
3 PLC	± 0.15																
4 PLC	± -																
ANGLES	± -																
MATERIAL SEE NOTE	FINISH SEE NOTE	WEIGHT SEE NOTE 4	DRAWING NO C=1734774	RESTRICTED TO -	SCALE -												
CUSTOMER DRAWING				SHEET 1 OF 4	REV F1												

THIS DRAWING IS UNPUBLISHED.

RELEASED FOR PUBLICATION

AUG ,2006.

© COPYRIGHT BY TYCO ELECTRONICS CORPORATION.

ALL RIGHTS RESERVED.

LOC DW DIST

REVISIONS

P	LTR	DESCRIPTION	DATE	DWN	APVD
		SEE SHEET 1.			

HOUSING MATERIAL	DIM L	DIM D	DIM C	DIM B	DIM A	POS.	HOUSING COLOR	MIN. GOLD THICKNESS	PART NUMBER
PA9T	2.3	70	73.15	89	71.65	164	BLACK	30μ"	4-1734774-8
							WHITE	4-1734774-7	
		37	40.15	56	38.65	98	BLACK	30μ"	4-1734774-6
							WHITE	4-1734774-5	
		20	23.15	39	21.65	64	BLACK	30μ"	4-1734774-4
							WHITE	4-1734774-3	
	6	9.15	25	7.65	36	BLACK	30μ"	4-1734774-2	
						WHITE	4-1734774-1		
	70	73.15	89	71.65	164	BLACK	15μ"	4-1734774-0	
						G/F	3-1734774-9		
						WHITE	15μ"	3-1734774-8	
						G/F	3-1734774-7		
BLACK						15μ"	3-1734774-6		
G/F						3-1734774-5			
37	40.15	56	38.65	98	BLACK	15μ"	3-1734774-4		
					G/F	3-1734774-3			
					WHITE	15μ"	3-1734774-2		
					G/F	3-1734774-1			
					BLACK	15μ"	3-1734774-0		
					G/F	2-1734774-9			
20	23.15	39	21.65	64	BLACK	15μ"	2-1734774-8		
					G/F	2-1734774-7			
					WHITE	15μ"	2-1734774-6		
					G/F	2-1734774-5			
					BLACK	15μ"	2-1734774-4		
					G/F	2-1734774-3			
6	9.15	25	7.65	36	BLACK	15μ"	2-1734774-2		
					G/F	2-1734774-1			
					WHITE	15μ"	2-1734774-0		
					G/F	2-1734774-9			
					BLACK	15μ"	2-1734774-8		
					G/F	2-1734774-7			
3.1	70	73.15	89	71.65	164	BLACK	30μ"	2-1734774-4	
						WHITE	2-1734774-3		
						BLACK	30μ"	2-1734774-2	
						WHITE	2-1734774-1		
						BLACK	30μ"	2-1734774-0	
						WHITE	1-1734774-9		
	37	40.15	56	38.65	98	BLACK	30μ"	1-1734774-8	
						WHITE	1-1734774-7		
						BLACK	15μ"	1-1734774-6	
						G/F	1-1734774-5		
						WHITE	15μ"	1-1734774-4	
						G/F	1-1734774-3		
20	23.15	39	21.65	64	BLACK	15μ"	1-1734774-2		
					G/F	1-1734774-1			
					WHITE	15μ"	1-1734774-0		
					G/F	1734774-9			
					BLACK	15μ"	1734774-8		
					G/F	1734774-7			
6	9.15	25	7.65	36	BLACK	15μ"	1734774-6		
					G/F	1734774-5			
					WHITE	15μ"	1734774-4		
					G/F	1734774-3			
					BLACK	15μ"	1734774-2		
					G/F	1734774-1			

HOUSING MATERIAL	DIM L	DIM D	DIM C	DIM B	DIM A	POS.	HOUSING COLOR	MIN. GOLD THICKNESS	PART NUMBER
PA46	2.3	70	73.15	89	71.65	164	BLACK	30μ"	9-1734774-7
							WHITE	9-1734774-6	
		37	40.15	56	38.65	98	BLACK	30μ"	9-1734774-5
							WHITE	9-1734774-4	
		20	23.15	39	21.65	64	BLACK	30μ"	9-1734774-3
							WHITE	9-1734774-2	
	6	9.15	25	7.65	36	BLACK	30μ"	9-1734774-1	
						WHITE	9-1734774-0		
	70	73.15	89	71.65	164	BLACK	15μ"	8-1734774-9	
						G/F	8-1734774-8		
						WHITE	15μ"	8-1734774-7	
						G/F	8-1734774-6		
BLACK						15μ"	8-1734774-5		
G/F						8-1734774-4			
37	40.15	56	38.65	98	BLACK	15μ"	8-1734774-3		
					WHITE	15μ"	8-1734774-2		
					BLACK	15μ"	8-1734774-1		
					G/F	8-1734774-0			
					BLACK	15μ"	7-1734774-9		
					G/F	7-1734774-8			
20	23.15	39	21.65	64	BLACK	15μ"	7-1734774-7		
					WHITE	15μ"	7-1734774-6		
					BLACK	15μ"	7-1734774-5		
					G/F	7-1734774-4			
					BLACK	15μ"	7-1734774-3		
					G/F	7-1734774-2			
6	9.15	25	7.65	36	BLACK	15μ"	7-1734774-1		
					WHITE	15μ"	7-1734774-0		
					BLACK	15μ"	7-1734774-9		
					G/F	7-1734774-8			
					BLACK	15μ"	7-1734774-7		
					G/F	7-1734774-6			
3.1	70	73.15	89	71.65	164	BLACK	30μ"	7-1734774-3	
						WHITE	7-1734774-2		
						BLACK	30μ"	7-1734774-1	
						WHITE	7-1734774-0		
						BLACK	30μ"	6-1734774-9	
						WHITE	6-1734774-8		
	37	40.15	56	38.65	98	BLACK	30μ"	6-1734774-7	
						WHITE	6-1734774-6		
						BLACK	15μ"	6-1734774-5	
						G/F	6-1734774-4		
						WHITE	15μ"	6-1734774-3	
						G/F	6-1734774-2		
20	23.15	39	21.65	64	BLACK	15μ"	6-1734774-1		
					WHITE	15μ"	6-1734774-0		
					BLACK	15μ"	5-1734774-9		
					G/F	5-1734774-8			
					BLACK	15μ"	5-1734774-7		
					G/F	5-1734774-6			
6	9.15	25	7.65	36	BLACK	15μ"	5-1734774-5		
					WHITE	15μ"	5-1734774-4		
					BLACK	15μ"	5-1734774-3		
					G/F	5-1734774-2			
					BLACK	15μ"	5-1734774-1		
					G/F	5-1734774-0			

THIS DRAWING IS A CONTROLLED DOCUMENT.

DWN \_\_\_\_\_  
 CHK \_\_\_\_\_  
 APVD \_\_\_\_\_

NAME \_\_\_\_\_

PRODUCT SPEC \_\_\_\_\_  
 APPLICATION SPEC \_\_\_\_\_  
 WEIGHT \_\_\_\_\_

CUSTOMER DRAWING

Tyco Electronics Corporation  
 Taipei, Taiwan

PCI EXPRESS CARD EDGE  
 V-TYPE, 3GIO

SIZE A3 CAGE CODE 00779 DRAWING NO. C=1734774 RESTRICTED TO \_\_\_\_\_

SCALE \_\_\_\_\_ SHEET 2 OF 4 REV F1

4

3

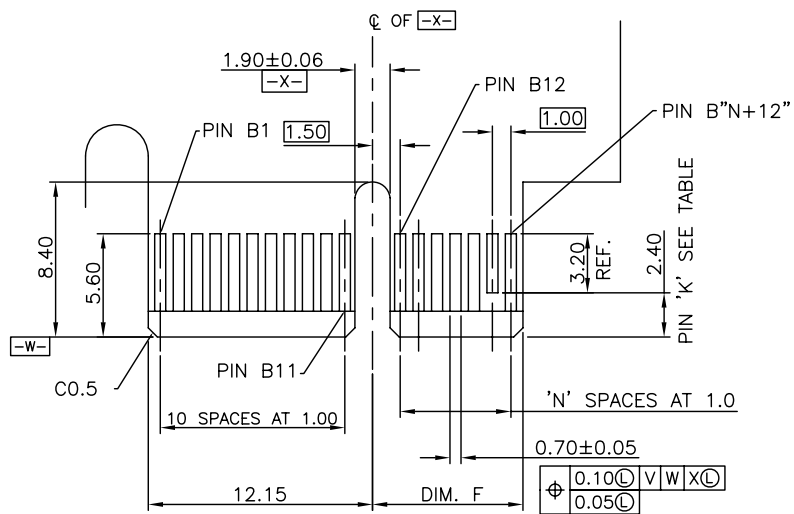
2

1

THIS DRAWING IS UNPUBLISHED. RELEASED FOR PUBLICATION AUG, 2006.

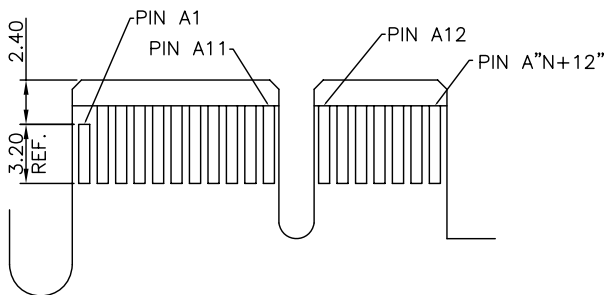
© COPYRIGHT BY TYCO ELECTRONICS CORPORATION. ALL RIGHTS RESERVED.

LOC		DIST		REVISIONS			
P	LTR	DESCRIPTION		DATE	DWN	APVD	
DW				SEE SHEET 1.			



1. NO TIE BAR PERMITTED FROM CARD EDGE TO LEADING EDGE OF PAD FOR PINS A1 AND "K"
2. CHAMFER EDGE MUST BE FREE OF CUTTING BURRS

I/O PANEL DIRECTION  
PRIMARY (COMPONENT) SIDE



SECONDARY (SOLDER) SIDE

164	70	72.15	B17,B31,B48,B81
98	37	39.15	B17,B31,B48
64	20	22.15	B17,B31
36	6	8.15	B17
POS.	N	DIM. F	"K"

THIS DRAWING IS A CONTROLLED DOCUMENT.		DWN		Tyco Electronics Corporation Taipei, Taiwan	
DIMENSIONS: MM		CHK		NAME	
TOLERANCES UNLESS OTHERWISE SPECIFIED:		APVD		PCI EXPRESS CARD EDGE V-TYPE, 3GIO	
0 PLC ± -		PRODUCT SPEC		SIZE CAGE CODE DRAWING NO	
1 PLC ± -		APPLICATION SPEC		A3 00779 C=1734774	
2 PLC ± -		WEIGHT		RESTRICTED TO	
3 PLC ± -		CUSTOMER DRAWING		SCALE SHEET 3 of 4 REV F1	
4 PLC ± -					
ANGLES ± -					
FINISH					
MATERIAL					

THIS DRAWING IS UNPUBLISHED.

RELEASED FOR PUBLICATION

AUG ,2006.

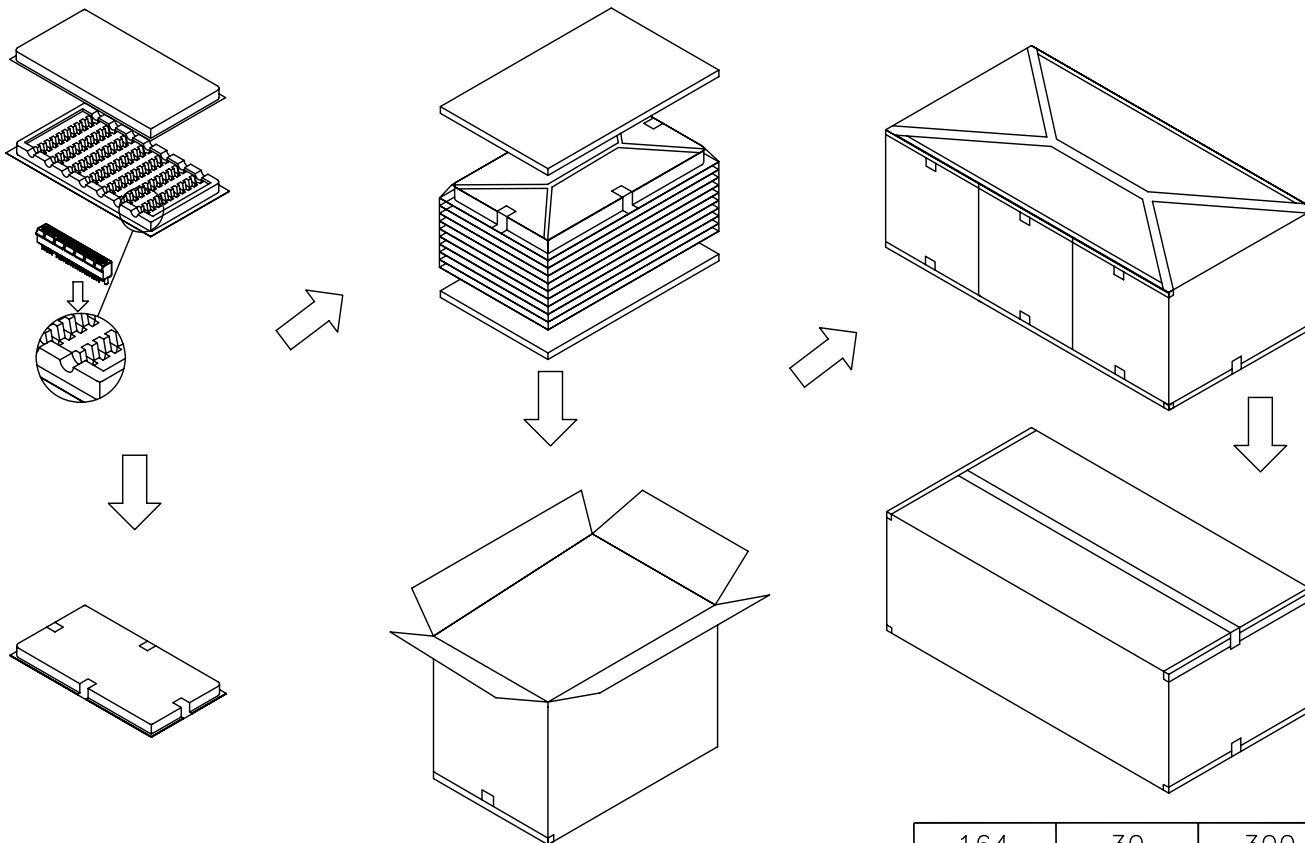
© COPYRIGHT BY TYCO ELECTRONICS CORPORATION. ALL RIGHTS RESERVED.

LOC DW

DIST

REVISIONS

P	LTR	DESCRIPTION	DATE	DWN	APVD
		SEE SHEET 1.			



NOTES:

1. TRAY : PVC, SIZE: 337mm(L)X 180mm(W)X 23.5mm(H).
2. INNER BOX : CORRUGATED, SIZE: 353mm(L)X 199mm(W)X 223mm(H).
3. INNER BOX TRANSPARENT BAG SIZE: PE, SIZE: 560mm(L)X 400mm(W)X 0.05mm(H).
4. E.P.E SIZE: 336mm(L)X 182mm(W)X 8mm(H).
5. BOX TRANSPARENT BAG : (PE), SIZE: 600mm(L)X 590mm(W)X 0.06mm(H).
6. BOX : CORRUGATED, SIZE: 603mm(L)X 371mm(W)X 240mm(H).
7. QUANTITY: SEE TABLE

164	30	300	900	8.2	10.2
98	40	400	1200	7.0	9.0
64	60	600	1800	6.5	8.5
36	70	700	2100	5.6	7.6
POS NO.	PIECES PER TRAY	PIECES PER INNER BOX	PIECES PER BOX	NET WEIGHT (Kg)	GROSS WEIGHT (Kg)

THIS DRAWING IS A CONTROLLED DOCUMENT.

DWN		Tyco Electronics Corporation Taipei, Taiwan	
CHK		NAME	
APVD		PCI EXPRESS CARD EDGE V-TYPE, 3GIO	
PRODUCT SPEC		SIZE	RESTRICTED TO
APPLICATION SPEC		CAGE CODE	
WEIGHT		DRAWING NO	
MATERIAL		A3 00779	
FINISH		G=1734774	
CUSTOMER DRAWING		SCALE	SHEET 4 OF 4
			REV F1