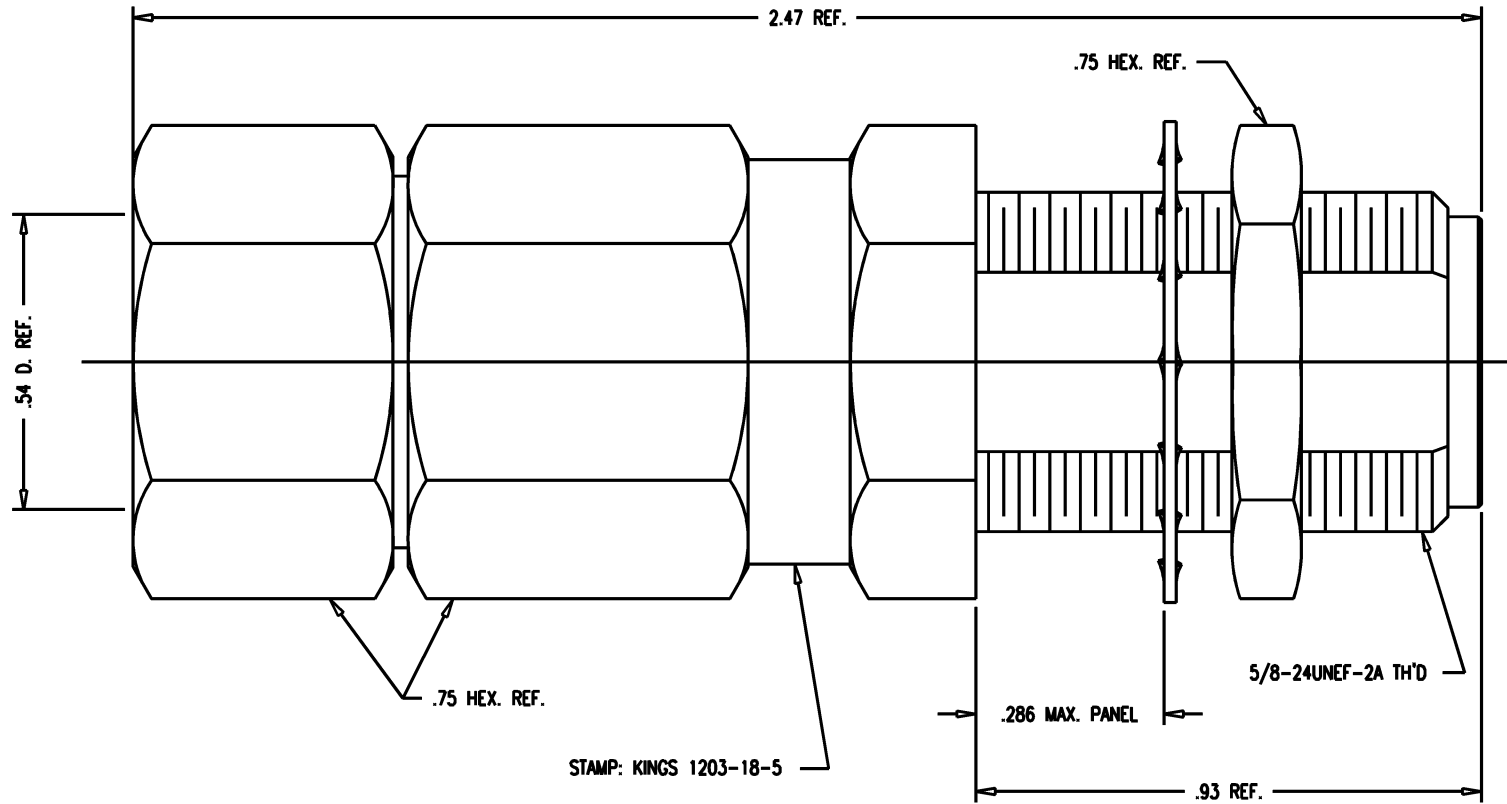


GSD

1203-18-5



REVISIONS	
ISSUE	CHANGES
0	ER 35549 KH 05/09/94

KAM3195

SCALE 4:1

APPROX SURFACE AREA

WAS: E-18129

USED ON

REF:

JACK, BULKHEAD, N

DRAWN	KH	DATE	11/08/93
-------	----	------	----------

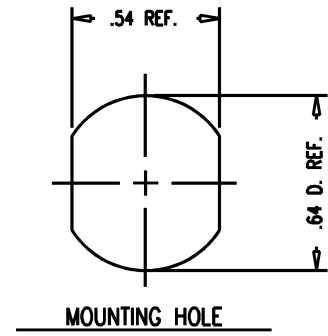
DESIGN	GA	DATE	11/09/93
--------	----	------	----------

APPR.	DATE
-------	------

KINGS
ELECTRONICS CO., INC.
TUCKAHOE, NEW YORK 10707

1203-18-5

GSD



MOUNTING HOLE

NOTES:

- FOR USE WITH ANDREWS FSJ4RN-50B HELIAX CABLE.
- FOR CABLING INSTRUCTIONS SEE 3-260.
- INTERFACE PER MIL-STD-358, FIG. 304-1.
- MATERIALS:
INSULATOR- TEFLON, ASTM-D-1457
GASKET- NEOPRENE (SOFT), BLACK
O-RING- SYNTHETIC RUBBER, MIL-P-5516
C-RING- PHOS. BRONZE, QQ-B-750
ALL OTHER PARTS- BRASS, ASTM-B16
- FINISHES:
CONTACTS: HARD GOLD PLATE PER MIL-G-45204
ALL OTHER METAL PARTS- SILVER PLATE PER QQ-S-365
- ELECTRICAL CHARACTERISTICS:
NOMINAL IMPEDANCE- 50 OHMS
FREQUENCY RANGE- DC TO 11 GHz
WORKING VOLTAGE- 1000 RMS