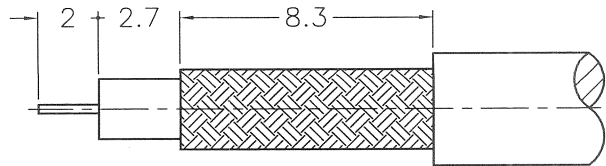
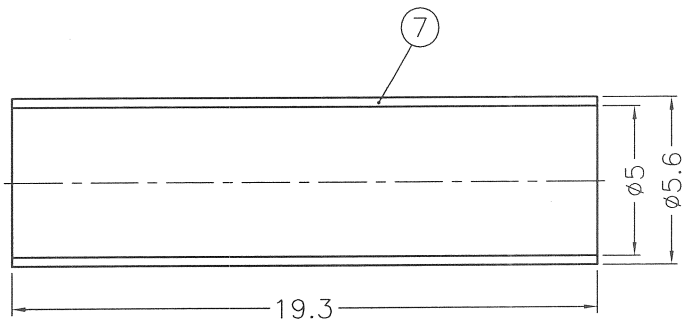
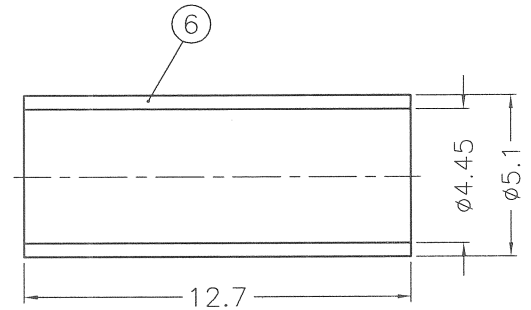
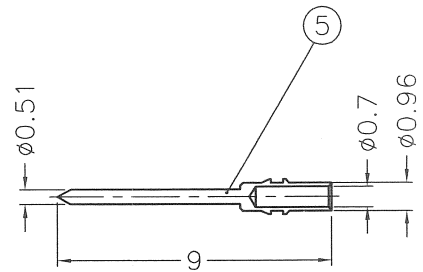
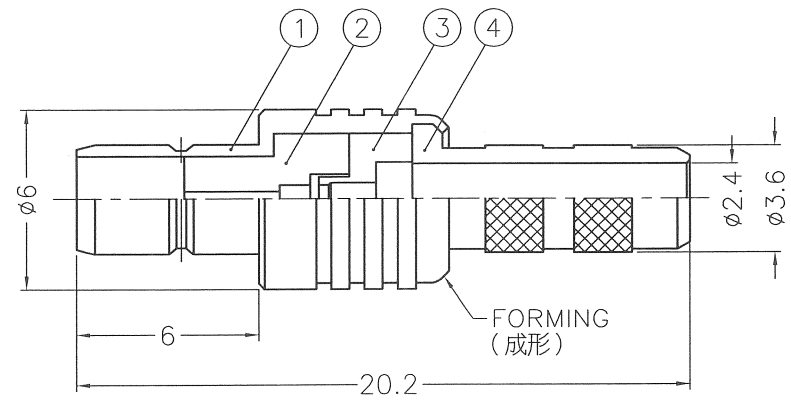


| REVISIONS |      |                              |
|-----------|------|------------------------------|
| ISS       | ZONE | DESCRIPTION\PER REQUEST\DATE |
|           |      |                              |



RECOMMENDED  
CABLE STRIPPING DIM'S  
(建議剝線尺寸)



1. CRIMPED FERRULE  
HEX CRIMP SIZE .178"  
2. CONTACT PIN TO SOLDER

NOTES: FINISH (PLATING THICKNESS IN MICRO-INCHES)

- BRASS PER QQ-B-626
- GOLD PL. 3 MIN. THICK OVER NICKEL PL. 100 MIN. THICK OVER COPPER STRIKE
- GOLD PL. 30 MIN. THICK OVER NICKEL PL. 100 MIN. THICK OVER COPPER STRIKE
- TEFLON MIL-P-19468

| NO. | DESCRIPTION        | MATERIAL | FINISH  | Q'TY | DRAWING NO.        |
|-----|--------------------|----------|---------|------|--------------------|
| 7   | HEAT SHRINK TUBING |          |         | 1    | HT-56/5X193        |
| 6   | FERRULE            | COPPER   | NOTE 2  | 1    | FR-51/445X127      |
| 5   | CONTACT PIN        | NOTE 1   | NOTE 3  | 1    | SMB1121AA-5-096/07 |
| 4   | BARREL             | NOTE 1   | NOTE 2  | 1    | SMB1121AA-4-36/24  |
| 3   | INSULATOR          | NOTE 4   | NATURAL | 1    | SMB1121AA-3T-75    |
| 2   | INSULATOR          | NOTE 4   | NATURAL | 1    | SMB1121AA-2T-75    |
| 1   | BODY               | NOTE 1   | NOTE 2  | 1    | SMB1121AA-1-75     |

DIMENSIONS ARE IN MILLIMETERS

UNLESS OTHERWISE SPECIFIED TOLERANCES

- 0.5-6 = ±0.2
- 6-30 = ±0.4
- 30-120 = ±0.6
- 120-315 = ±1
- 315-1000 = ±1.6
- 1000-2000 = ±2.4

| PART NO.        |                                    |
|-----------------|------------------------------------|
| APPROVED        | DATE                               |
| <i>Angela W</i> | 04-14-05'                          |
| CHECKED         | DATE                               |
| <i>Angela W</i> | 04-14-05'                          |
| DRAWN           | DATE                               |
| LIGHTER         | 04-14-05'                          |
| FILE NO.        | F:\DWG\SMB\1121AA\007\75\3GT30GASZ |

| Amphenol-Kai Jack |  |
|-------------------|--|
| ShenZhen China    |  |
| TITLE             | MINI 75 OHM SMB CRIMP JACK<br>(FOR L910/39 , BT3002) |
| DRAWING NO.       | SMB1121AA-007-3GT30G-75                              |
| ITEM NO.          | 121121AAE91GE7F                                      |