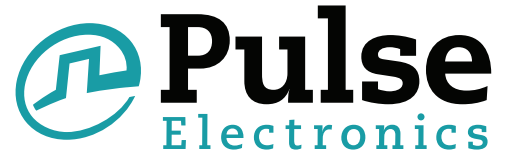


SMT CURRENT SENSE TRANSFORMERS

P820X Series



Height: 5.5mm Max

Footprint: 8.4mm x 7.2mm Max

Current Rating: up to 10A

Frequency Range: 50kHz to 1MHz

Lower Primary DCR version available: PA1005.XXX series

Electrical Specifications @ 25°C — Operating Temperature -40°C to +130°C

Part ^{6,7} Number	Turns Ratio	Current ² Rating (A)	Secondary Inductance (mH MIN)	DCR (mΩ MAX)		Hipot (V _{RMS})
				Primary (8-7)	Secondary (1-3)	
P8202NL	1:20	10	0.08	6	550	500
P8203NL	1:30	10	0.18	6	870	500
P8204NL	1:40	10	0.32	6	1140	500
P8205NL	1:50	10	0.50	6	1500	500
P8206NL	1:60	10	0.72	6	2250	500
P8207NL	1:70	10	0.98	6	4750	500
P8208NL	1:100	10	2.00	6	5500	500
P8209NL	1:125	10	3.00	6	6500	500

NOTES:

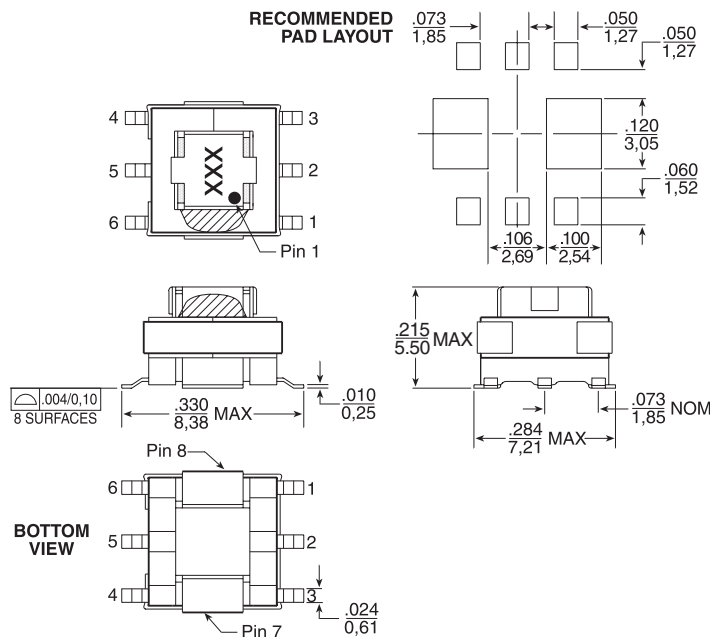
- The temperature of the component (ambient temperature plus temperature rise) must be within the specified operating temperature range.
- The maximum current rating is based upon temperature rise of the component and represents the DC current which will cause a typical temperature rise of 40°C with no airflow when both one turn windings connected in parallel.
- To calculate the value of the terminating resistor (Rt) use the following formula: $R_t (\Omega) = V_{ref} * N / (I_{peak_primary})$
- The peak flux density of the device must remain below 2000 Gauss. To calculate the peak flux density for uni-polar current use following formula:

$$B_{PK} = 37.59 * V_{REF} * (Duty_Cycle_Max) * 10^5 / (N * Freq_kHz)$$

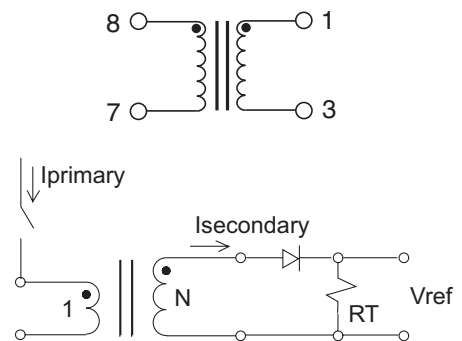
* for bi-polar current applications divide B_{PK} (as calculated above) by 2.

- Part numbers **P8222** to **P8229** are reverse polarity versions of **P820X**.
- Optional Tape & Reel packaging can be ordered by adding a "T" suffix to the part number (i.e. P8202NL becomes P8202NLT). Pulse complies to industry standard tape and reel specification EIA481.
- The "NL" suffix indicates an RoHS-compliant part number. Non-NL suffixed parts are not necessarily RoHS compliant, but are electrically and mechanically equivalent to NL versions. If a part number does not have the "NL" suffix, but an RoHS compliant version is required, please contact Pulse for availability.

Mechanical



Schematic



APPLICATION CIRCUIT

Weight 0.34 grams
 Tray 120/tray
 Tape & Reel 900/reel
 Coplanarity 0.004 inches

Dimensions: $\frac{\text{Inches}}{\text{mm}}$
 Unless otherwise specified, all tolerances are $\pm \frac{.010}{.025}$

Mouser Electronics

Authorized Distributor

Click to View Pricing, Inventory, Delivery & Lifecycle Information:

[Pulse:](#)

[P8204T](#) [P8206T](#) [P8205T](#) [P8208T](#) [P8203T](#) [P8209T](#) [P8202T](#) [P8202](#) [P8205](#) [P8203](#) [P8207](#) [P8209](#) [P8208](#)
[P8204](#) [P8206](#) [P8208NL](#) [P8205NLT](#) [P8207NLT](#) [P8208NLT](#) [P8203NLT](#) [P8202NLT](#) [P8206NLT](#)