

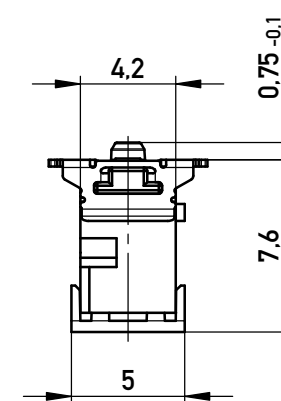
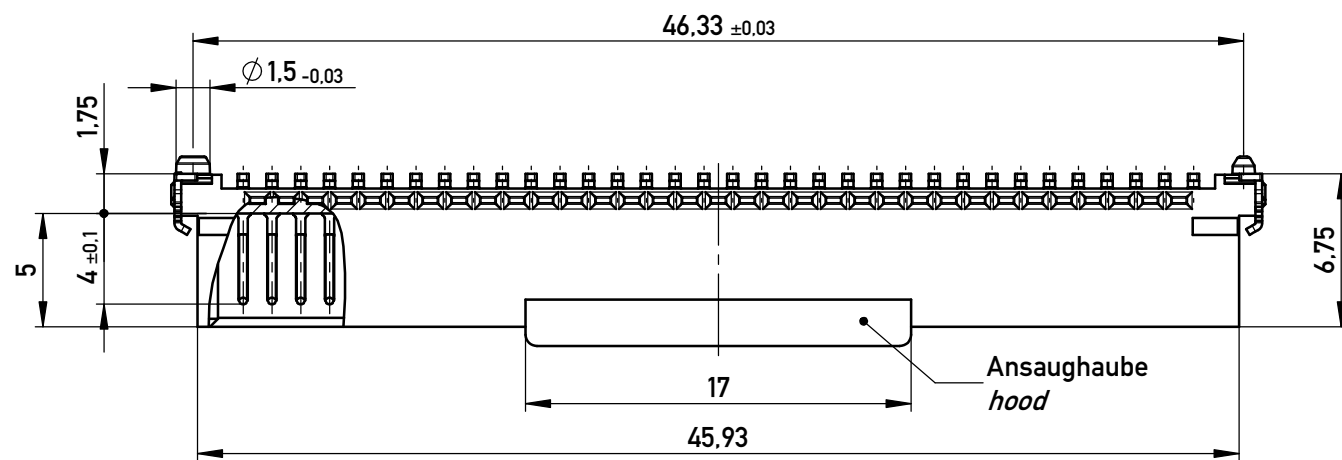
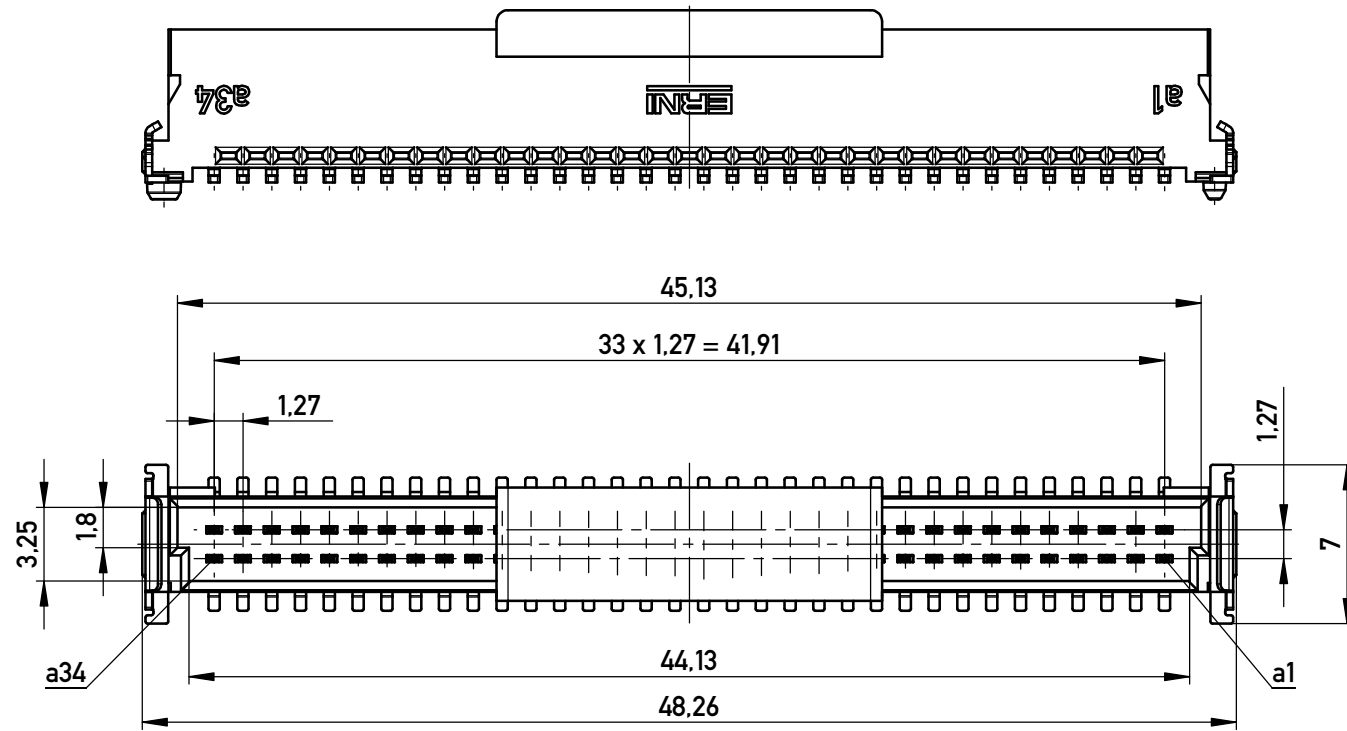
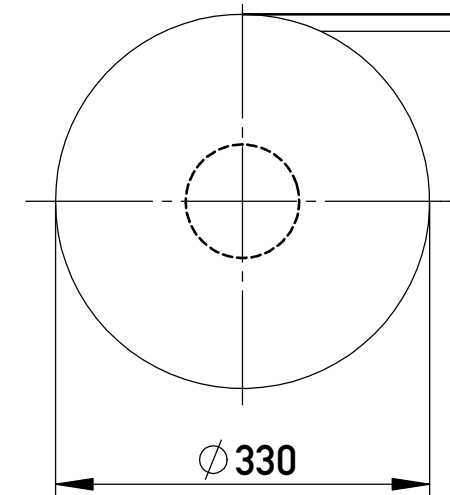
Verpackt im Gurt nach DIN IEC 60286-3
 Tape on Reel Packaging according to DIN IEC 60286-3
 Verpackungseinheit: 280 Stück
 Packaging unit: 280 pcs

Anforderungsstufe 1
 Performance Level 1

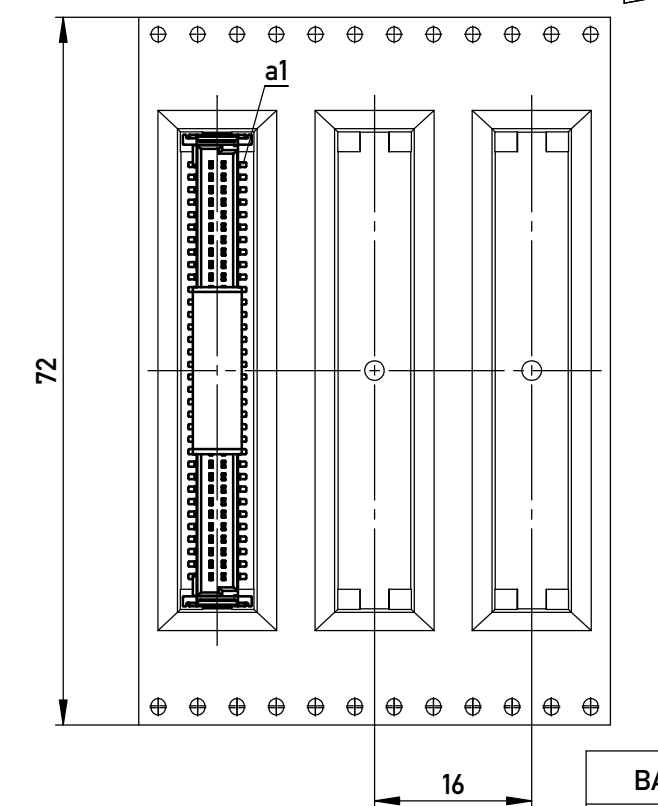
Kontaktbereich vergoldet
 Mating Area gold plating

Anschlussbereich verzinkt 4-6 µm
 Terminal Area 4-6 µm tin plating

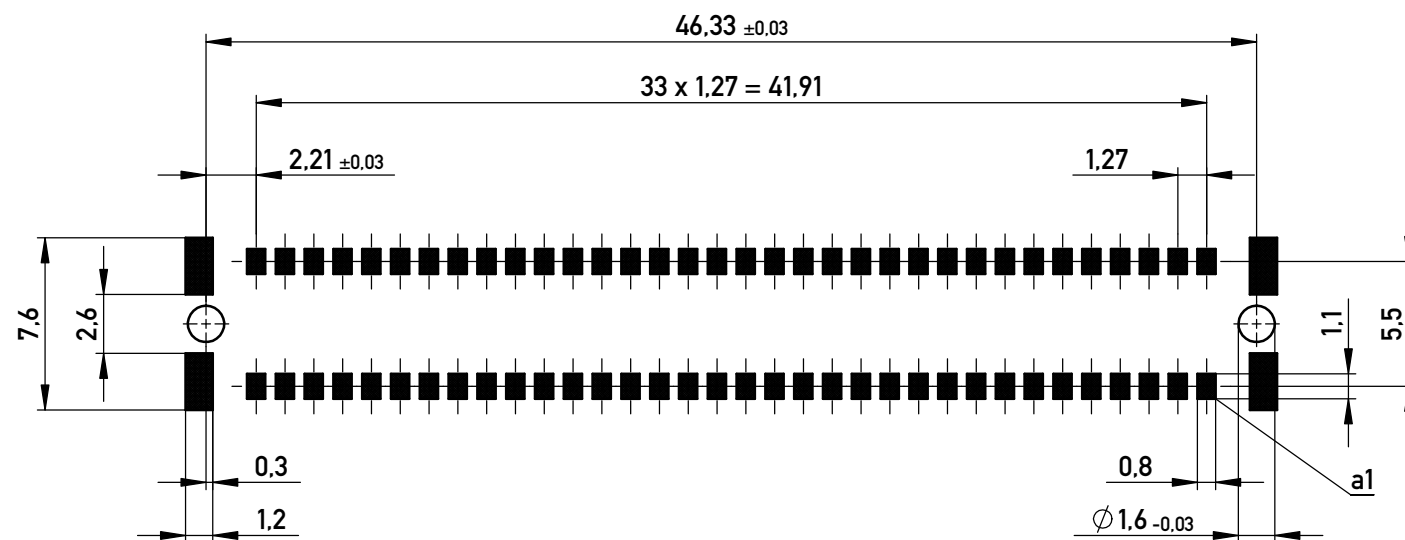
Koplanarität der Anschlüsse ≤ 0,1 mm
 Coplanarity Area of Termination ≤ 0,1 mm



Abspulrichtung - Reel off Direction



Leiterplatten-Layout Vorschlag für SMT
 PCB-Layout Proposal for SMT



BA 8-13 - 8mm Bauhöhe
 type 8-13 - Low Profile

| | | | | | |
|--|------------|---|--------------------------|---|-----|
| Information: | | Tolerances | All Dimensions in mm | Scale | 3:1 |
| All rights reserved. Only for Information. To ensure that this is the latest version of this drawing, please contact one of the ERNI companies before using. | | Subject to modification without prior notice. Drawing will not be updated. | | Designation Messerl. SMC-Q 68-SMD-BA8-13 <i>Male SMC-Q 68-SMD-type8-13</i> | |
| www.ERNI.com | | 100903440002 | | K A3 | |
| d | 25.02.2014 | Class | | SMCQ | |
| Index | Date | | | | |

Copyright by ERNI GmbH
 Proprietary notice pursuant to ISO 16016 to be observed.