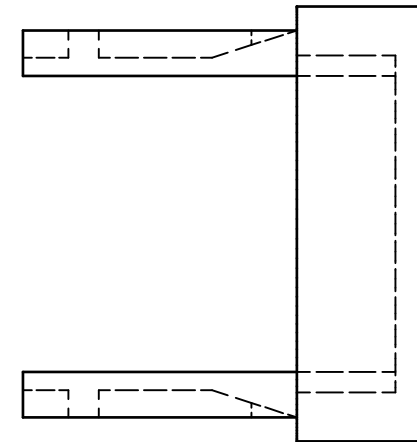
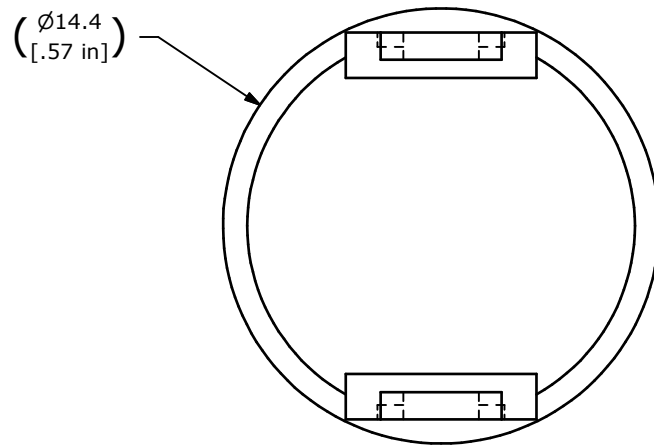


"TRANSPARENT" WHITE
(MILKY WHITE)



NOTES:

1. ALL DIMENSIONS IN MM [INCH]
2. GENERAL TOLERANCE: X.X=±0.4
X.XX=±0.25
3. DENOTES CRITICAL PARAMETERS
4. 2002/95/EC (ROHS) COMPLIANT



TITLE B50-R002-TRANSP-DIFF-R1

A	21319	INITIAL RELEASE	12/9/13	EBP
REV	PCR NO	DESCRIPTION	DATE	BY

SCALE	DATE	DR	DWG	REV
	12/9/2013	EBP	F540002	A

THE INFORMATION CONTAINED IN THIS DOCUMENT IS PROPRIETARY TO E-SWITCH AND IS NOT TO BE COPIED OR TRANSFERRED