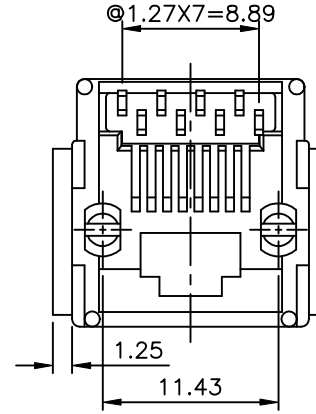
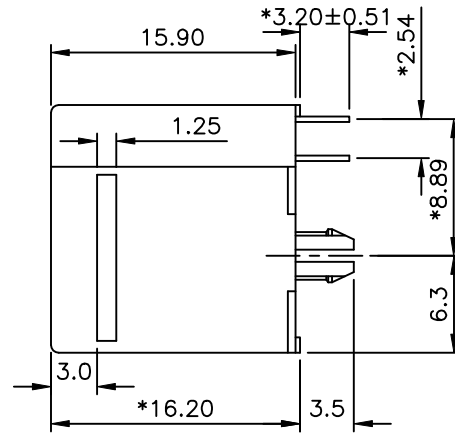
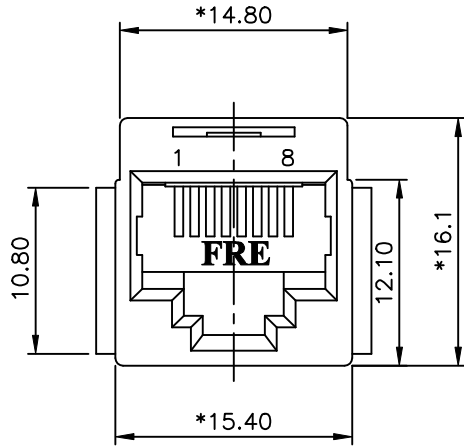


REVISION RECORD				
REV	ECO	DESCRIPTION	DRFT	CHKD
△		ADD P/N	JAMIN 11/2/05	



NOTES:

ELECTRICAL:

- 1. VOLTAGE RATING : 125 VAC RMS.
- 2. CURRENT RATING : 1.5 AMP.
- 3. CONTACT RESISTANCE : 45 MILLIOHMS MAX.
- 4. INSULATION RESISTANCE : 1000 MEGOHMS MIN @ 500 VDC.
- 5. DIELECTRIC STRENGTH : 1000 VAC RMS 60Hz, 1MIN.

MECHANICAL:

- 1. HOUSING MATERIAL : PBT+30% OR PBT+20% UL94V-0.
- 2. CONTACT MATERIAL : PHOSPHOR BRONZE t=0.35mm.
- 3. PLATING : GOLD PLATING OVER NICKEL.
- 4. OPERATING LIFE : 750 CYCLES MIN.
- 5. PCB RETENTION PRE-SOLDER : 1 LB MIN.
- 6. PCB RETENTION POST-SOLDER: 10 LBS MIN.

ENVIRONMENTAL:

- 1. STORAGE : -40°C TO +85°C.
- 2. OPERATION : 0°C TO +70°C.
- 3. WAVE SOLDERING TEMPERATURE: 230~250°C(5~10SECONDS)

MATES WITH MODULAR PLUG CONFORMING TO

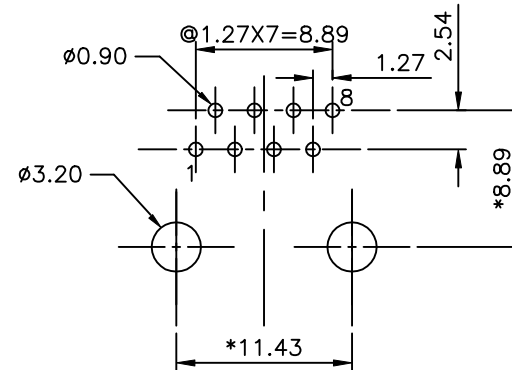
FCC PART 68, SUBPART F.

CUL FILE NO. E163191

ROHS PART NUMBER: E5288-X00XXX-L

- 3-W/ FRE LOGO
- R-W/O FRE LOGO
- 1- 3u"
- 3-15u"
- 5-50u"
- 2- 6u"
- 4-30u"
- 3-W/ PANNEL STOP
- 4-W/O PANNEL STOP

△ U-PBT+20% BK
V-PBT+30% BK



PC Board Layout Component Side Shown

<p>← MM (INCH) →</p>		<p>DFTO ANKUE DATE 03/28/05</p>		<p>FULL RISE ELECTRONIC CO., LTD</p>	
<p>TOLERANCES EXCEPT AS NOTED</p>		<p>CHKDANKUE DATE 2005/11/2</p>		<p>TITLE (DIP & IMPROVED TYPE)</p>	
<p>MFO</p>		<p>DATE</p>		<p>RJ45 TOP ENTRY PCB JACK</p>	
<p>APPVLLUSHENG</p>		<p>DATE 2005/11/2</p>		<p>DRAWING NO. GE523100_LC</p>	
<p>MATERIAL :</p>		<p>QT'Y :</p>		<p>SIZE A3</p>	
<p>ANGLES ± 0.5</p>		<p>FINISH :</p>		<p>REV 1</p>	
<p>THIRD ANGLE PROJECTION</p>		<p>SCALE :</p>		<p>DO NOT SCALE DRAWING</p>	
		<p>SHEET</p>		<p>OF</p>	