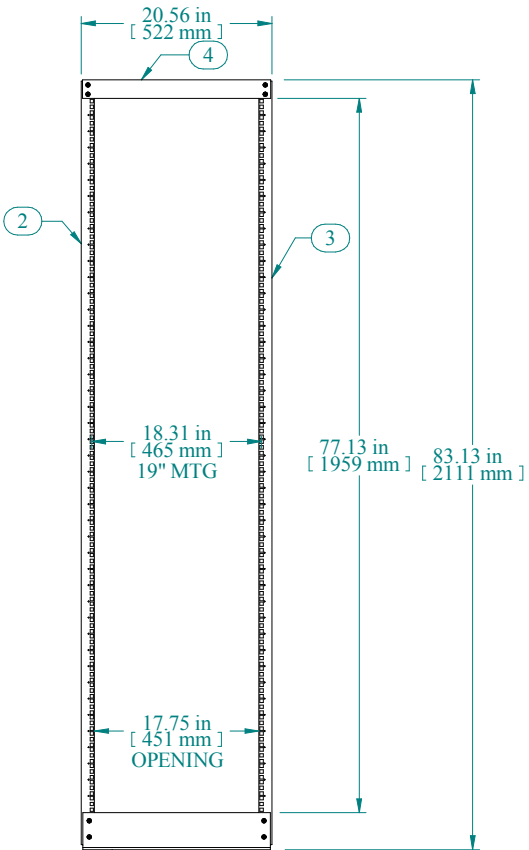
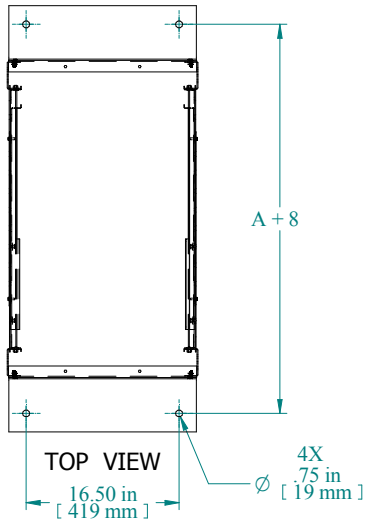
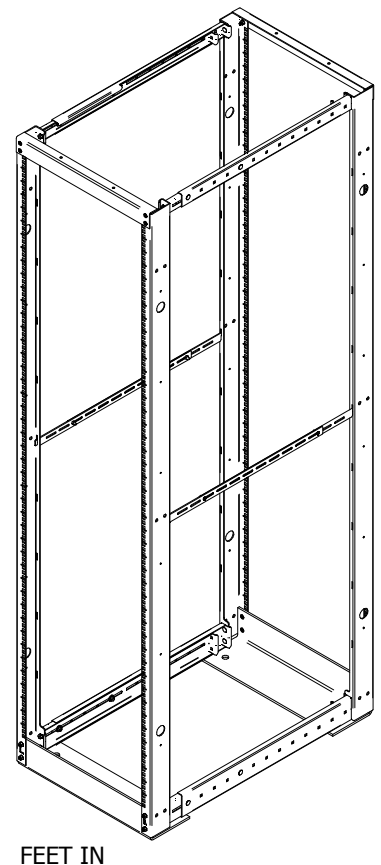
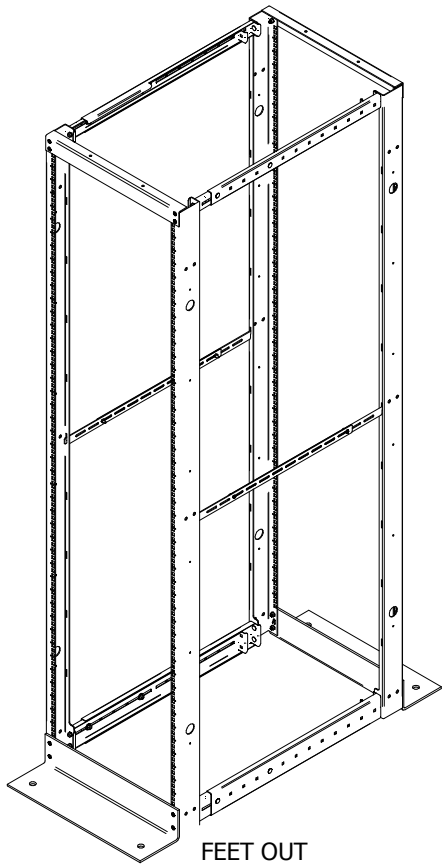
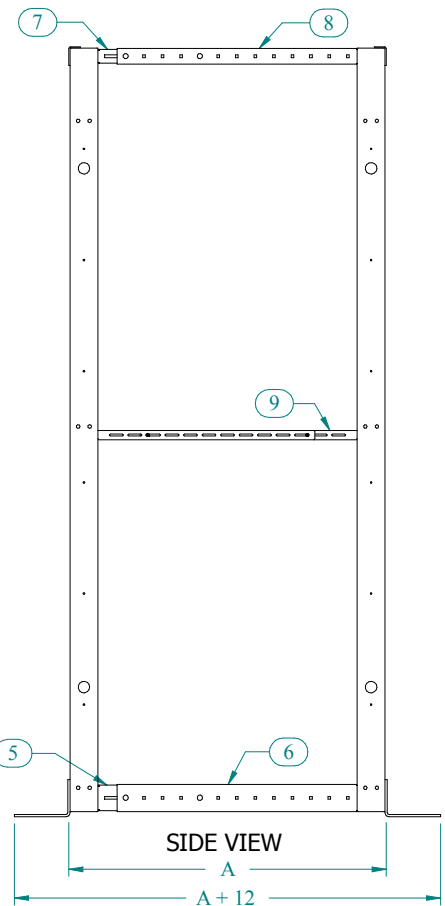


| | |
|----------|-----------|
| PART No. | A (Depth) |
| DC4R4448 | 32" - 48" |

NOTE: DIM "A" (DEPTH) IS FULLY ADJUSTABLE.



1 FRONT VIEW



| Item Number | Title | Quantity |
|-------------|------------------------------|----------|
| 1 | DC4R - BASE ANGLE | 2 |
| 2 | DN4R - LH RAIL | 2 |
| 3 | DN4R - RH RAIL | 2 |
| 4 | DC4R TOP ANGLE | 2 |
| 5 | 4 POST RELAY RACK DEPTH BRKT | 2 |
| 6 | 4 POST RELAY RACK DEPTH BRKT | 2 |
| 7 | 4 POST RELAY RACK DEPTH BRKT | 2 |
| 8 | 4 POST RELAY RACK DEPTH BRKT | 2 |
| 9 | DN4R - CABLE TIE BAR | 4 |

| PART NUMBERS | |
|--------------------------------------------------|-------------------------|
| DC4R4448 | PAINTED BLACK THIN FILM |
| NOTES | |
| Shipped knockdown for handling ease & protection | |
| Ease of assembly with self centering hardware | |
| Includes assembly hardware | |
| See Hammond Website for Additional Accessories | |

Data subject to change without notice. Isometric drawing not to scale.



**HAMMOND
MANUFACTURING™**

www.hammondmfg.com

PART NO. DC4R4448