

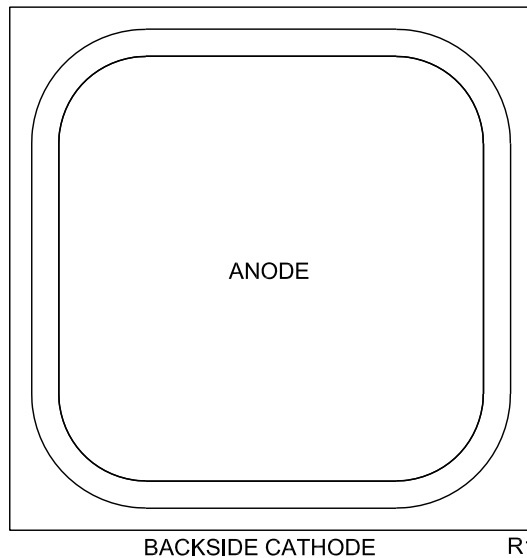
PROCESS CPD76X
Schottky Diode
1 Amp Schottky Diode Chip



PROCESS DETAILS

Process	EPITAXIAL PLANAR
Die Size	32 x 32 MILS
Die Thickness	5.9 MILS
Anode Bonding Pad Area	27 x 27 MILS
Top Side Metalization	Al - 20,000Å
Back Side Metalization	Au - 12,000Å

GEOMETRY



GROSS DIE PER 5 INCH WAFER

16,276

PRINCIPAL DEVICE TYPES

CMLSH1-40

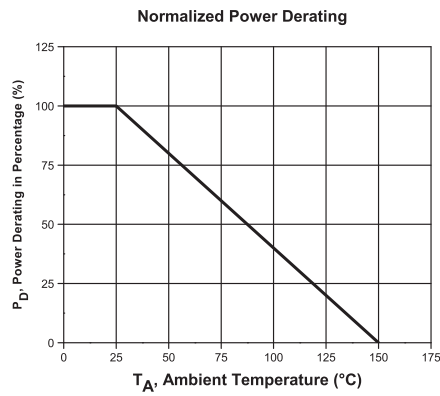
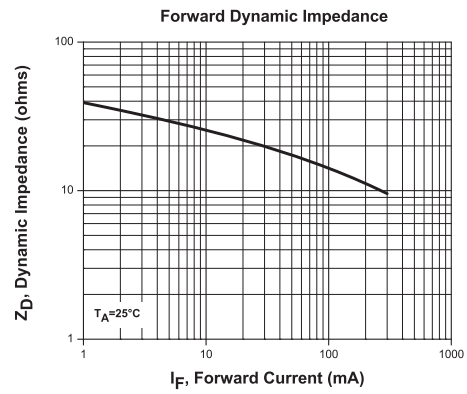
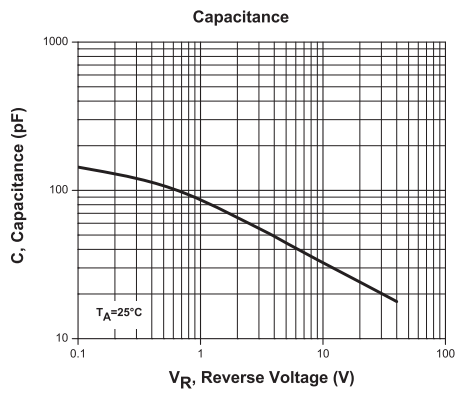
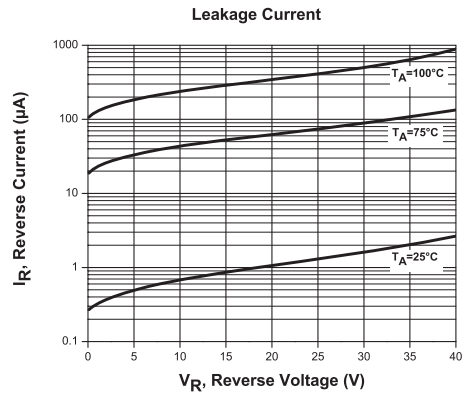
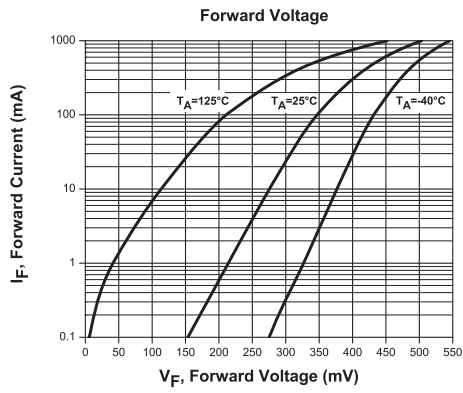
CXSH-4

CTLSH1-40M832D

R2 (22-March 2010)

PROCESS CPD76X

Typical Electrical Characteristics



R2 (22-March 2010)