

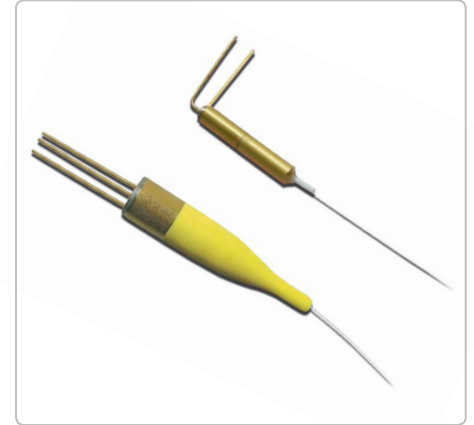
PIGTAIL INTEGRATED INGAAS PIN PHOTODIODE

PIPD Series

Product Description

Oplink's PIPD series PIN photodiode is based on InGaAs process. It is designed for power level monitoring in optical network systems. The product features low dark current and high responsivity and wide operating wavelength range.

Oplink can provide customized designs to meet specialized feature applications. Also, Oplink offers modular assemblies that integrate other components to form a full function module or subsystem.



Performance Specifications

Parameters	Symbol	Specification			Unit	
		Min.	Typ.	Max.		
Operating Wavelength Range	op	1310±50 or/and 1550±50			nm	
Responsivity	@1550nm	R ₁₅₅₀	0.80	0.90	A/W	
	@1310nm	R ₁₃₁₀	0.75	0.85		
Polarization Dependent Responsivity	PDR		0.1		dB	
Dark Current @ V _R =5 V (70°C)	Bandwidth=2.0G	I _d			2.5	nA
	Bandwidth=0.5G				10	
Capacitance @ V _R =5 V (1MHz)	Bandwidth=2.0G	C		0.7	1	pF
	Bandwidth=0.5G			0.7	8	
Return loss	RL	40			dB	
Fiber Type		Corning SMF-28				
Package Dimensions	Pkg 1	(Ø) 5.6 x (L)26.0			mm	
	Pkg 3/4	(Ø) 3.3 x (L)17.0				

Environmental Conditions

Parameters	Min.	Typ.	Max.	Unit
Operating Temperature *	0		+70	°C
Storage Temperature *	-40		+85	°C
Soldering Temperature (<5s, >2mm from device)			260	°C

* Not to exceed 0.024 kg water per kg of dry air. Non-condensing Conditions.

Features

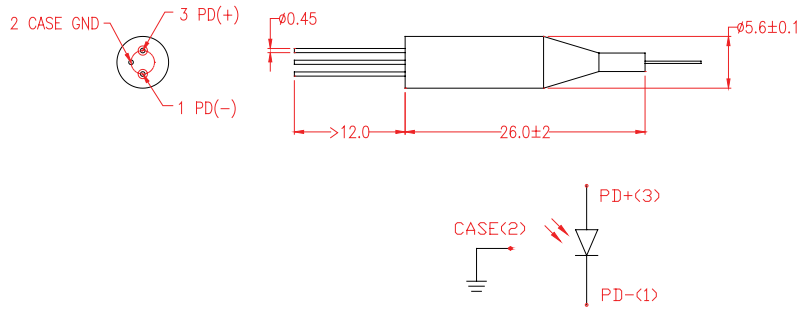
- High Responsivity
- Low Dark Current
- Quick Response
- Wide Operating Wavelength
- High Reliability
- Laser Welding & Soldering

Applications

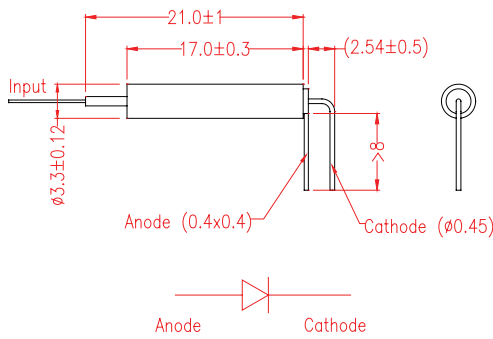
- Power Monitoring
- DWDM Systems
- "Smart" Optical Amplifiers
- Network Links and Optical Cross-connects
- Re-configurable Optical Add/Drop Multiplexers
- Protection/Restoration System

Mechanical Drawing / Package Dimensions (dimension in mm)

Package 1 (Bare Fiber or Loose Tube)

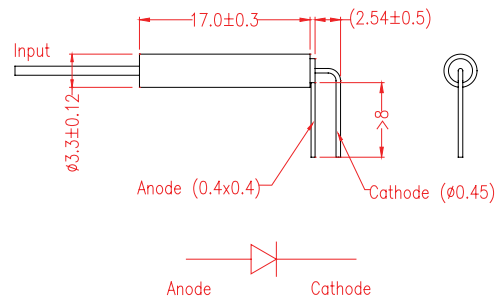


Package 3 (Bare Fiber)



NOTE:
1. UNITS: mm.
2. Anode is connected to the metal housing.

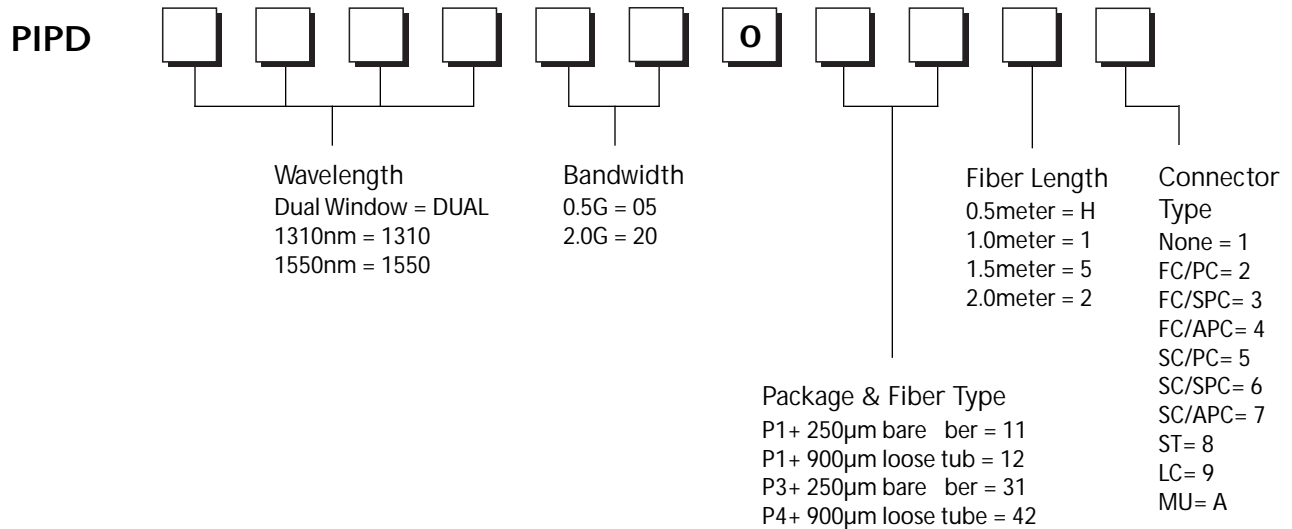
Package 4 (900µm Loose Tube)



NOTE:
1. UNITS: mm.
2. Anode is connected to the metal housing.

Ordering Information

Oplink can provide a remarkable range of customized optical solutions. For detail, please contact Oplink's OEM design team or account manager for your requirements and ordering information (510) 933-7200.



** RoHS: Add "G" to the end of the above PN for RoHS 6.

* The tolerance of ber length is +/-0.1m.