

DO NOT SCALE PRINT

Honeywell

300A NULL BALANCE CURRENT SENSOR

CATALOGUE LISTING
CSNL SERIES
MTG - CSN-234

CHARACTERISTICS

| CAT. LISTING | ISSUE NO. | OPERATING TEMPERATURE | SUPPLY | HOUSING MATERIAL | SENSING RANGE | | OUTPUT NOMINAL | MAXIMUM COIL RESISTANCE AT 70°C | NUMBER OF TURNS | PRIMARY CONNECTION | SECONDARY CONNECTION | CONFORMAL COATING |
|--------------|-----------|-----------------------|------------|-------------------------|---------------|---------|----------------|---------------------------------|-----------------|--------------------|---|-------------------|
| | | | | | NOMINAL | MAXIMUM | | | | | | |
| CSNL281-006 | 1 | -40°C TO +85°C | ±24V | POLYCARBONATE/ABS BLEND | 300A | 750A | 150mA | 25 Ω | 2000 ±1 | THROUGH HOLE | AMP 3-WAY COLD PIN MATE-N-LOK CONNECTOR | NO |
| CSNL281-007 | 1 | -40°C TO +85°C | ±12 - ±18V | POLYCARBONATE/ABS BLEND | 300A | 600A | 150mA | 25 Ω | 2000 ±1 | THROUGH HOLE | AMP 3-WAY COLD PIN MATE-N-LOK CONNECTOR | NO |

CSNL SERIES
MTG - CSN-234

M
 DRAWING NUMBER

ISSUE **2**

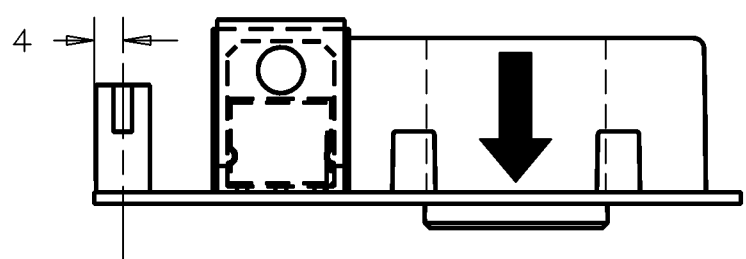
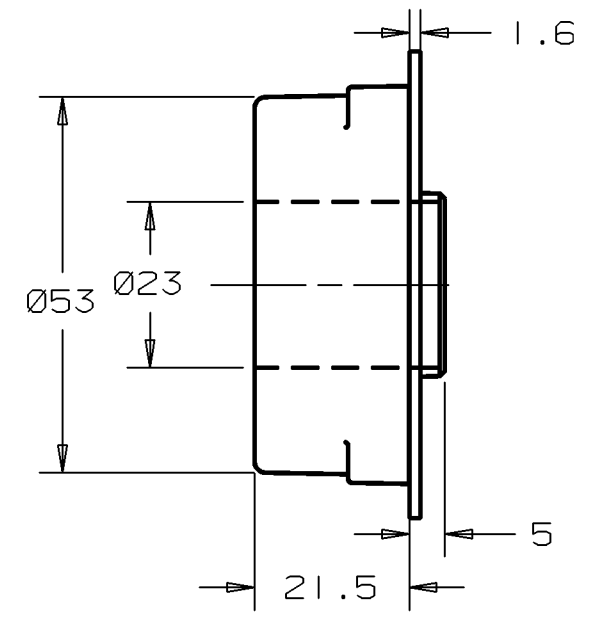
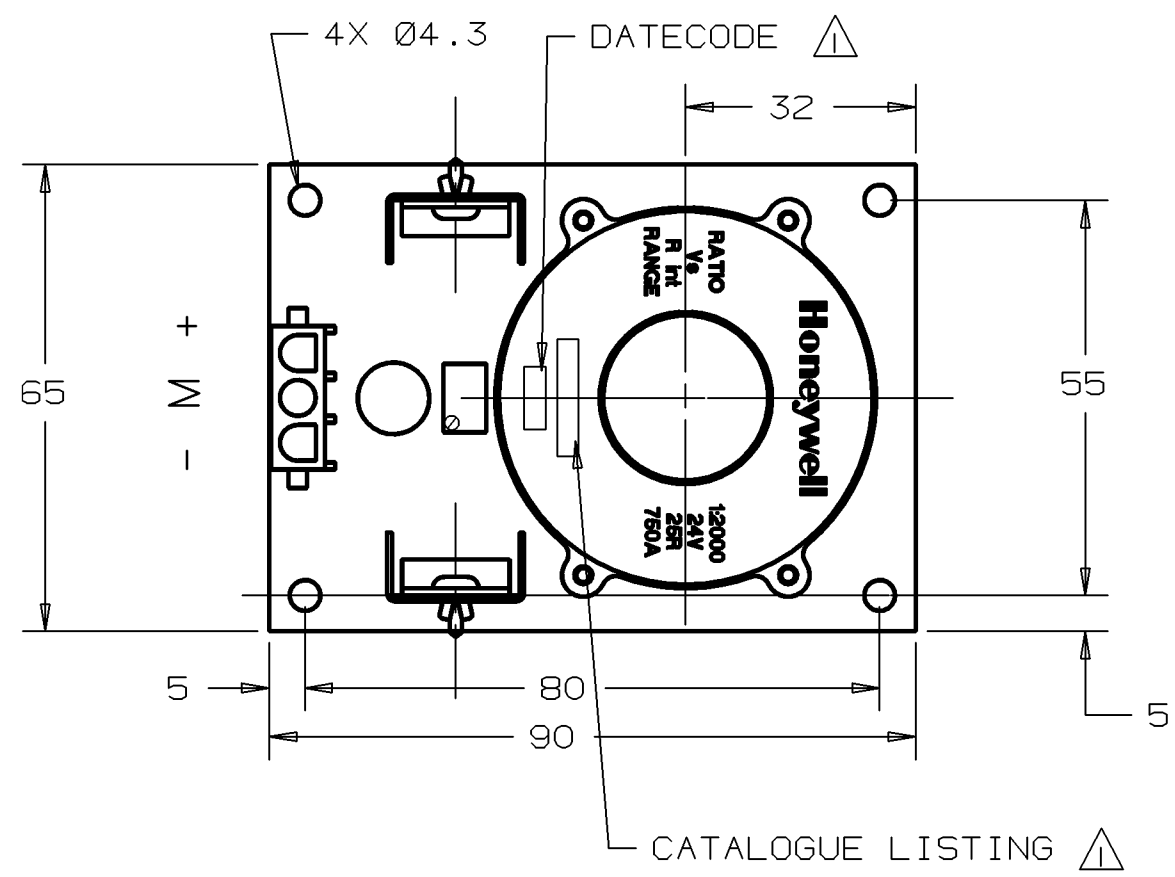
RELEASE NUMBER PRO00086 REPLACES

REVISIONS
 2 PRI 897
 04.09.03

DRAWN W. JOHNSTON
 CHECK
 DESIGN
 AUTHOR N

NOTES:-

1 INK COLOUR BLACK.



THE COPYRIGHT OF THIS DRAWING IS THE PROPERTY OF HONEYWELL LTD. THE DRAWING IS SUPPLIED IN CONFIDENCE AND MUST NOT BE USED FOR ANY PURPOSE OTHER THAN THAT FOR WHICH IT IS SUPPLIED.

THIRD ANGLE PROJECTION

SCALE :- 1/1

DIMENSIONS ARE IN MILLIMETRES

MODIFY ON CAD3D SYSTEM ONLY

GENERAL TOLERANCE = ±0.30